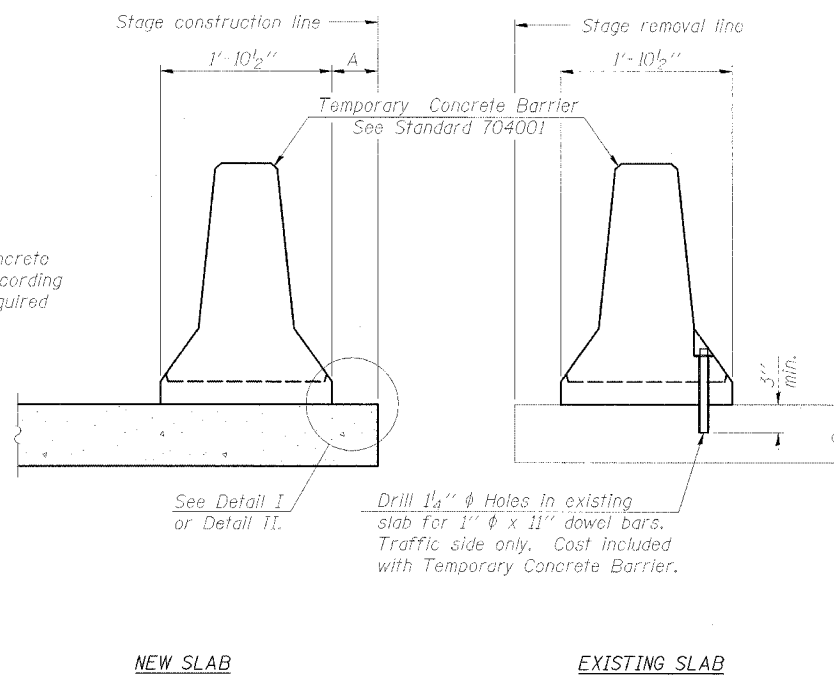


STATE OF ILLINOIS
DEPARTMENT OF TRANSPORTATION

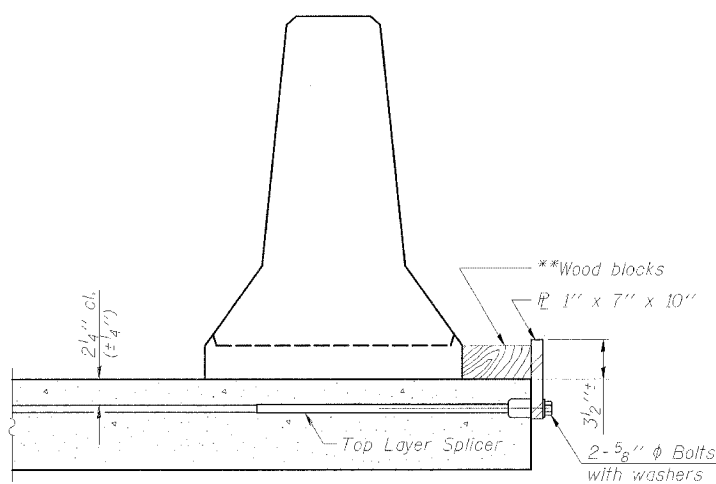
ROUTE NO.	SECTION	COUNTY	SHEET NO.	SHEET NO.
SA 13		Kane	27	10
FED. ROAD DIST. NO. 7		ILLINOIS	FED. AID PROJECT	

Contract # 60B81

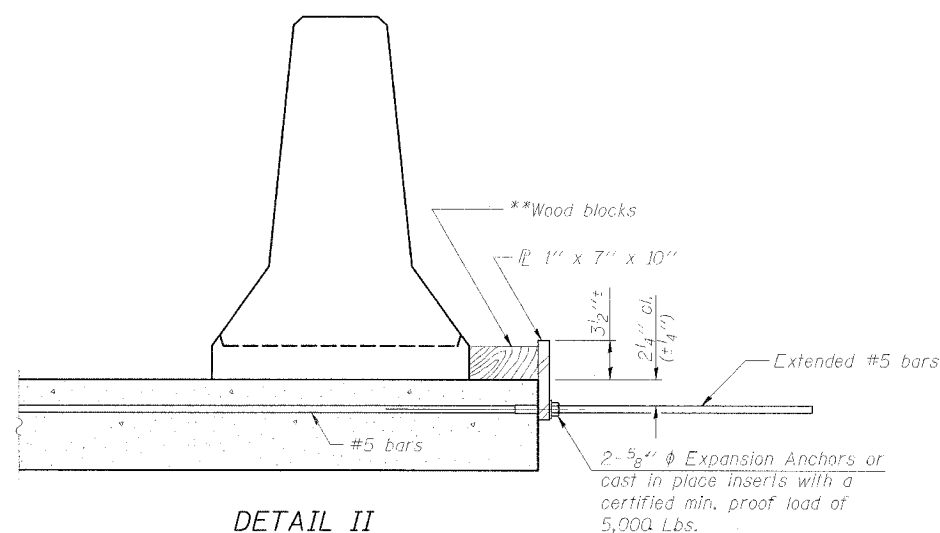
When "A" is 3'-6" or less, the temporary concrete barrier shall be anchored to the new slab according to Detail I or Detail II. No anchorage is required when "A" is greater than 3'-6".



SECTIONS THRU SLAB



DETAIL I

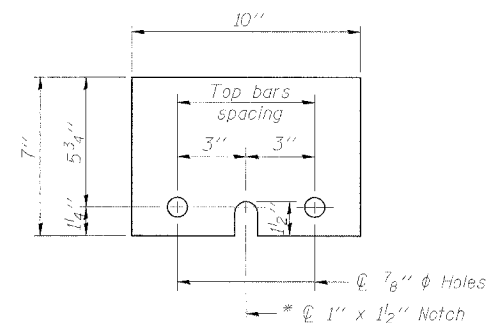


DETAIL II

** Wood blocks may be omitted when required to provide minimum stage traffic lane width. When the wood blocks are omitted, the concrete barrier shall be in direct contact with the steel retainer plate.

NOTES

- Detail I - With Bar Splicer or Couplers:
Connect one (1) 1"x7"x10" steel \bar{P} to the top layer of couplers with 2-5/8" ϕ bolts screwed to coupler at approximate \bar{C} of each barrier panel.
- Detail II - With Extended Reinforcement Bars:
Connect one (1) 1"x7"x10" steel \bar{P} to the concrete slab with 2-5/8" ϕ Expansion Anchors or cast in place inserts spaced between the top layer of reinforcement at approximate \bar{C} of each barrier panel.
- Cost of anchorage is included with Temporary Concrete Barrier. The 1" x 7" x 10" plate shall not be removed until stage II construction forms and all reinforcement bars are in place and the concrete is ready to be placed.



STEEL RETAINER \bar{P} 1" x 7" x 10"

* Required only with Detail II

TEMPORARY CONCRETE BARRIER
S.A. 13 (IL RTE. 25)
OVER NORTON CREEK
S.A. RTE. 13 (F.A.S. 106)
KANE COUNTY, STA. 61+92.50
STRUCTURE NO. 045-0045

DESIGNED DDB	200
CHECKED LLV	EXAMINED
DRAWN MGM	PASSED
CHECKED DDB	ENGINEER OF BRIDGES AND STRUCTURES

R-27

11-1-06

STS Consultants
111 NE Jefferson Ave.
Peoria, Illinois 61602
Ph(309)678-8464
FAX(309)678-5445
IL Design Firm Reg. No. 184-001518