

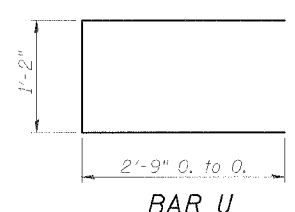
STATE OF ILLINOIS
DEPARTMENT OF TRANSPORTATION

STATE NO.	SECTION	COUNTY	TOTAL SHEETS	SHEET NO.
SA 13		Kane	27	11
FED. ROAD DIST. NO. 7	ILLINOIS	FED. AID PROJECT		

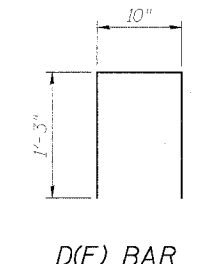
Contract # 60B81

NOTES

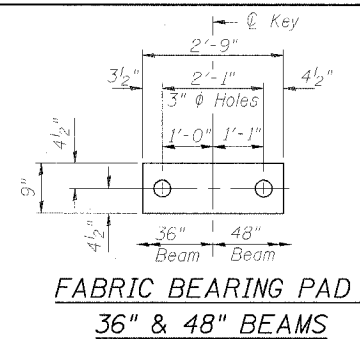
1. Prestressing steel shall be uncoated high strength, low relaxation 7-wire strand, Grade 270.
2. The nominal diameter shall be $\frac{1}{2}$ " and the nominal cross-sectional area shall be 0.153 sq. in.
3. Lifting loops shall be 2- $\frac{1}{2}$ " ϕ -270 ksi strands, as shown.
4. Non prestressing steel shall conform to ASTM A705 GR 60 (IL Modified). See special provisions.
5. The bearing seat surfaces shall be adjusted by shimming to assure firm and even bearing. Two $\frac{1}{8}$ " fabric adjusting shims of the dimensions of the Exterior Bearing Pad shall be provided for each bearing.
6. Keyway surfaces shall be cleaned to remove form oil or other bond breaking material prior to shipment of the beams. Cleaning shall be done, by sandblasting the keyway areas between top of the beam and the bottom edge of the key.
7. Corrosion Inhibitor, as covered in the Special Provisions, shall be used in the concrete for precast prestressed concrete deck beams.
8. Required Release Strength, f'_{ci} , shall be 4,000 p.s.i.
9. See Shit. 7 of 10 and Shit. 8 of 10 for D(E) bars and Rail Post Anchor devices cast into exterior beams.



BAR U

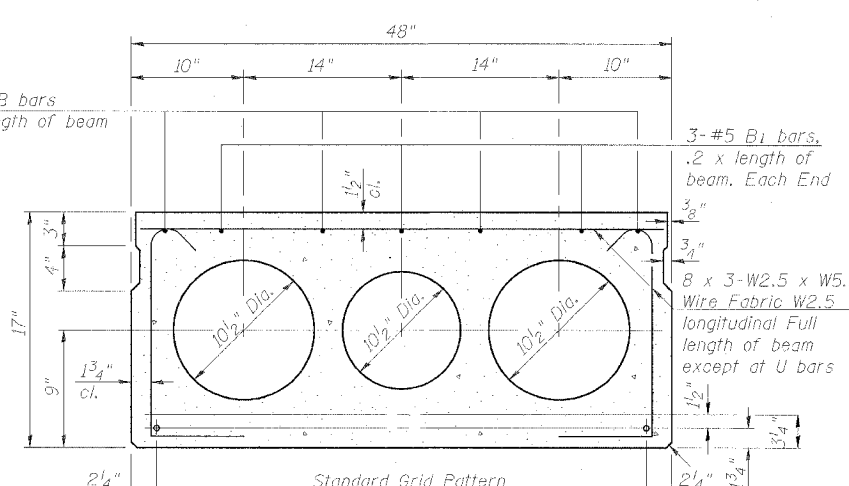


D(E) BAR



FABRIC BEARING PAD
36" & 48" BEAMS
(Interior)
(8 required)

4-#5 B bars
Full length of beam

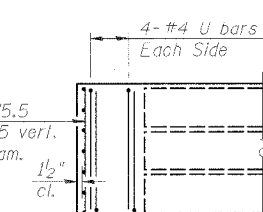


TYPICAL SECTION - 48" BEAM

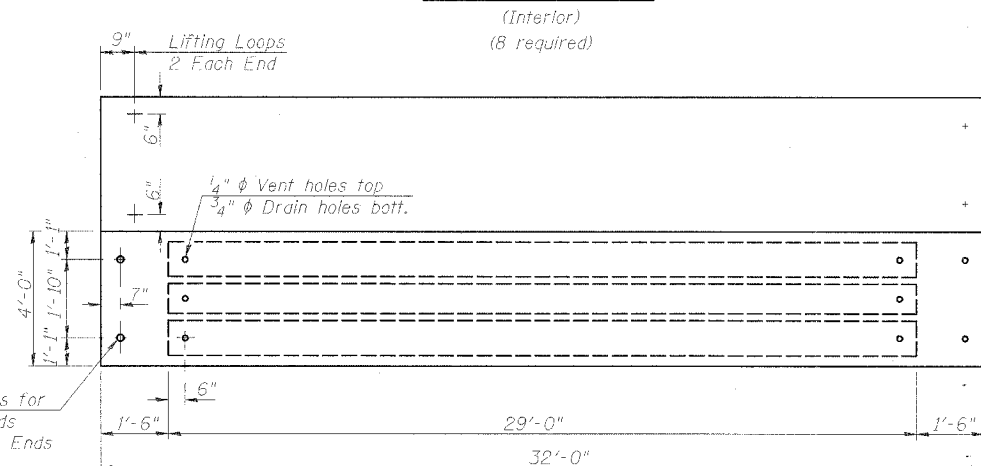
12 - $\frac{1}{2}$ " ϕ Strands, Each Strand Stressed to 30,900 Lbs.
8-Strands 1 $\frac{3}{4}$ " up, 4-Strands 3 $\frac{1}{4}$ " up
Note: Place strands symmetrically about ϕ of beam.

BILL OF MATERIAL - 48" BEAM

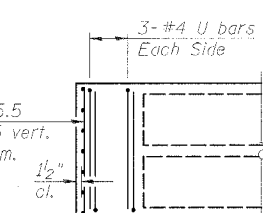
Item	Unit	Quantity
Precast Prestressed Conc. Deck Bms. (17")	Sq. Ft.	256



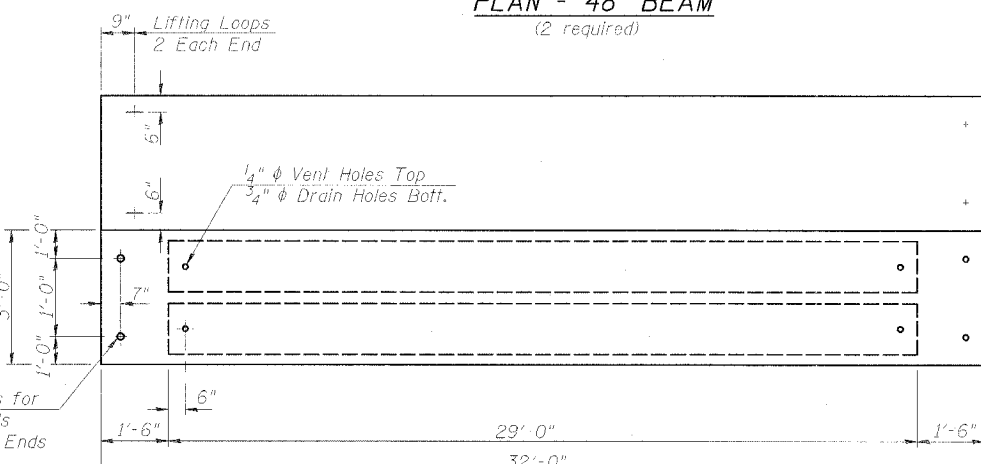
END PLAN



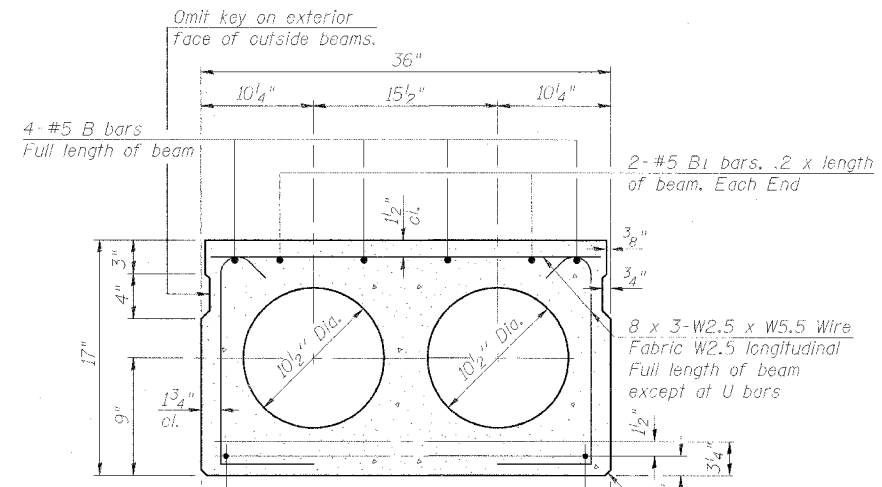
PLAN - 48" BEAM
(2 required)



END PLAN



PLAN - 36" BEAM
(28 required)

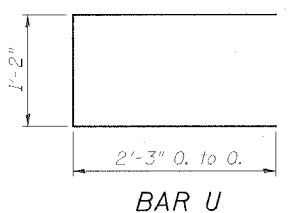


TYPICAL SECTION - 36" BEAM

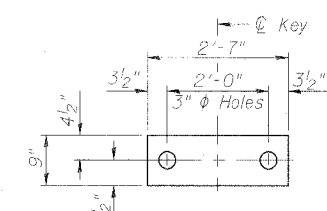
9 - $\frac{1}{2}$ " ϕ Strands, Each Strand Stressed to 30,900 Lbs.
5-Strands 1 $\frac{3}{4}$ " up, 4-Strands 3 $\frac{1}{4}$ " up
Note: Place strands symmetrically about ϕ of beam.

BILL OF MATERIAL - 36" BEAM

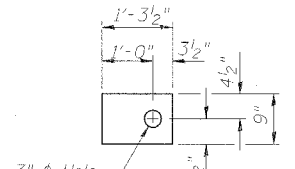
Item	Unit	Quantity
Precast Prestressed Conc. Deck Bms. (17")	Sq. Ft.	2688



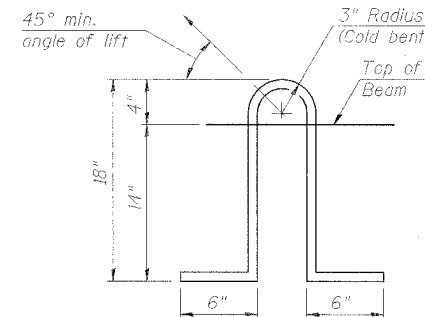
BAR U



FABRIC BEARING PAD
36" BEAM
(Interior)
(48 required)



FABRIC BEARING PAD
36" BEAM
(Exterior)
(8 required)



LIFTING LOOP DETAIL

SUPERSTRUCTURE DETAILS
17" DECK BEAMS
S.A. 13 (IL RTE. 25)
OVER NORTON CREEK
S.A. RTE. 13 (F.A.S. 106)
KANE COUNTY, STA. 61+92.50
STRUCTURE NO. 045-0045

DESIGNED DDB	200
CHECKED LLV	ENGINEER OF BRIDGE DESIGN
DRAWN MGM	PASSED
CHECKED DDB	ENGINEER OF BRIDGES AND STRUCTURES

STS Consultants
111 NE Jefferson Ave.
Peoria, Illinois 61602
PH: (309) 676-8464
FAX: (309) 676-6445
IL Design Firm Reg. No. 184-001518