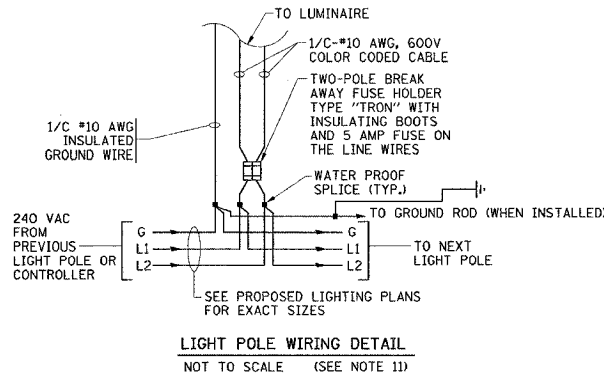
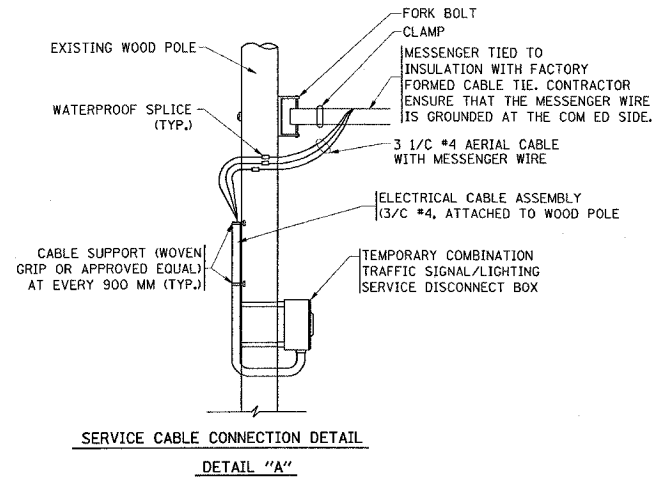
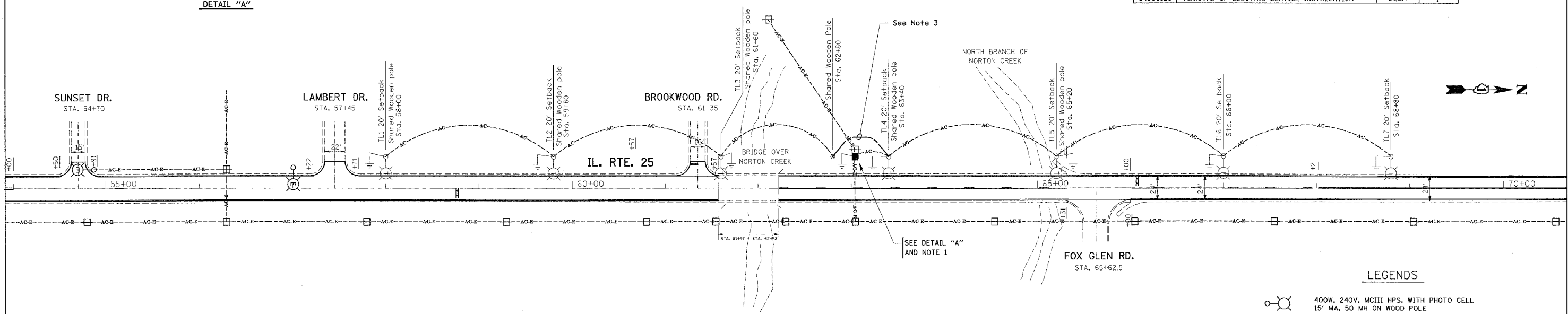


F.A.U. RTE.	SECTION	COUNTY	TOTAL SHEETS	SHEET NO.
2503	49 BR-1	KANE	27	20
STA.		TO STA.		
FED. ROAD DIST. NO.		ILLINOIS FED. AID PROJECT		



**IL-25 OVER NORTON CREEK  
SUMMARY OF QUANTITIES, ELECTRICAL PAY ITEMS**

Pay Code	Item Description	Unit	Quantity
80400100	ELECTRIC SERVICE INSTALLATION	Each	1
80400200	ELECTRIC UTILITY SERVICE CONNECTION	Each	1
80700100	GROUND ROD, 5/8" DIA. X 10 FT	Each	8
81603035	UNIT DUCT, 600V, 2-1/2" NO. 6, 1/2" NO. 8 GROUND, (EPR-TYPE RHW), 1" DIA. POLYETHYLENE	Foot	100
8180019	AERIAL CABLE, 2-1/2" NO. 4 WITH MESSENGER WIRE	Foot	1100
81900200	TRENCH AND BACKFILL FOR ELECTRICAL WORK	Foot	100
82103400	LUMINAIRE, SODIUM VAPOR, HORIZONTAL MOUNT, PHOTO-CELL CONTROL, 400 WATT	Each	7
83057350	LIGHT POLE, WOOD, 60 FOOT, CLASS 4	Each	1
83057355	LIGHT POLE, WOOD, 60 FOOT, CLASS 4, WITH 15 FT MAST ARM	Each	7
84100110	REMOVAL OF TEMPORARY LIGHTING UNITS	Each	7
84200500	REMOVAL OF TEMPORARY LIGHTING UNIT, SALVAGE	Each	7
84500120	REMOVAL OF ELECTRIC SERVICE INSTALLATION	Each	1



**Notes:**

1. Temporary combination service disconnect box shall feed a temporary traffic signal controller and the temporary lighting units.
2. A lighting controller is not proposed. Each lighting unit shall be controlled by a photo cell mounted on the associated luminaire with the lighting circuit fed directly from the temporary service disconnect box.
3. Unit duct is proposed between lighting units TL4 and TL5 to avoid conflict with existing electrical aerial cable. This unit duct may be eliminated if aerial cable can be installed while maintaining minimum vertical clearance as required by the local utility and as directed by the engineer. Coordination with the Village of St. Charles electric utility will be required.
4. The materials and installation methods shall comply with the latest codes, standards and ordinances of Federal, State and Local governing bodies having jurisdiction. All works shown on the plans and described elsewhere shall also conform to the latest National Electrical Code.
5. All electrical equipment, components and devices shall be U/L listed.
6. All material parts of the light poles shall be grounded and bonded conforming to NEC Article 250. The equipment ground shall be part of the temporary light pole pay item.
7. The light pole setback from the edge of travel pavement shall be 20' unless the light pole is behind guardrail. The light poles when installed behind the guardrail should have at least eight foot setback from the back of the shoulder and or as directed by the engineer.
8. The plan shows six shared wooden poles that are common for lighting and traffic systems. The electrical contractor shall install only the luminaire and mast arm on the shared poles. The traffic system contractor should supply, and install these 60' Class 4 wooden poles. The electrical summary of quantities excludes these poles.

9. The temporary light poles should have identification numbers as shown on the plans.
10. The contractor shall be responsible for any damage to the equipment or devices and not limited to the light system. The contractor shall not install damaged equipment or devices, instead the contractor shall replace it with new ones at no cost to IDOT and or as directed by the Engineer.
11. The contractor shall splice aerial cable at the light pole using heat shrinkable caps with the factory applied waterproof sealant. The installation and required material shall be part of the Light Pole pay item.
12. It is the contractor's responsibility to contact J.U.L.I.E. prior to the start of construction and coordinate location of existing underground utilities. The contractor shall locate, flag and protect all underground utilities prior to and during construction. Any damage to existing utilities during construction shall be repaired immediately at no cost to IDOT.
13. The material quantities as shown in the electrical summary of quantities are approximations only. It is the contractor's responsibility to field verify all quantities prior to ordering materials.
14. The contractor shall coordinate construction and staging activities being done in the same area by the utility companies or other contractors and setup coordination meetings if necessary without any additional financial compensation.
15. The utility company shall be contacted as soon as possible and notified of the pending electrical connections and installations to ensure continuity of night time hours of lighting operation.
16. All areas disturbed under this contract shall be restored to the original condition or better to the satisfaction of the Engineer.
17. Cost of splices and mounting hardware shall be included in the unit price for aerial cable.

**LEGENDS**

- 400W, 240V, MCII HPS. WITH PHOTO CELL 15' MA, 50 MH ON WOOD POLE
- 2-1/2" #4, AERIAL CABLE WITH MESSENGER WIRE UNLESS OTHERWISE NOTED
- WOODEN POLE
- TL-1 TEMPORARY LIGHTING UNIT NUMBER - ONE
- GROUND ROD 5/8" DIA. X 10'
- COMBINATION LIGHTING AND TRAFFIC POLE MOUNTED ELECTRICAL SERVICE BOX
- UNIT DUCT, 1-2" #6 1-1/2" #8 GND.
- EXISTING AERIAL CABLE
- EXISTING UTILITY POLE
- EXISTING UTILITY POLE

REVISIONS	
NAME	DATE

ILLINOIS DEPARTMENT OF TRANSPORTATION

**TEMPORARY LIGHTING PLAN**

SCALE: VERT. \_\_\_\_\_  
HORIZ. \_\_\_\_\_

DATE \_\_\_\_\_

DRAWN BY \_\_\_\_\_  
CHECKED BY \_\_\_\_\_

PLOT DATE = 5/18/2007  
 PLOT SCALE = 50  
 USER NAME = byunah