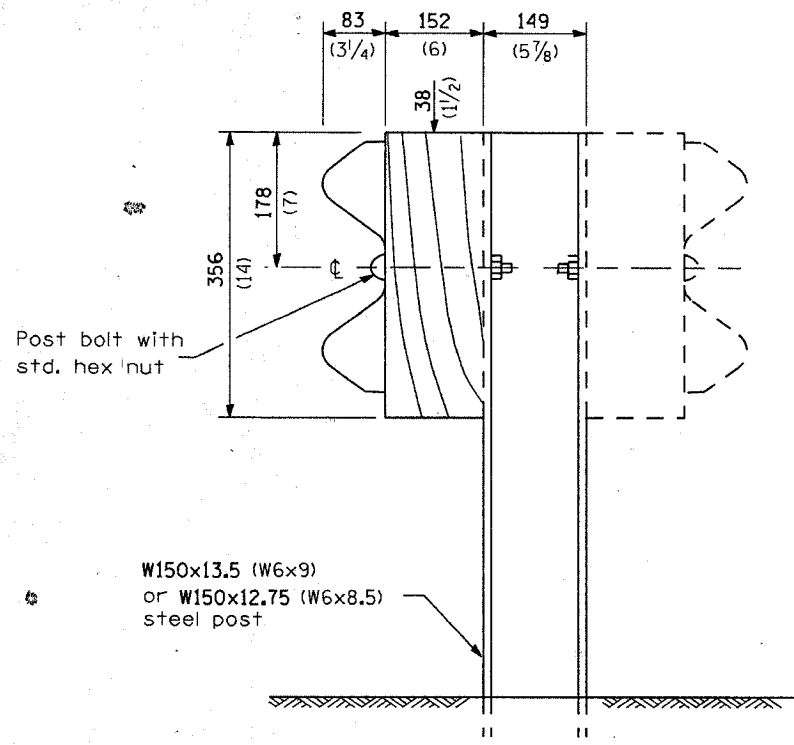
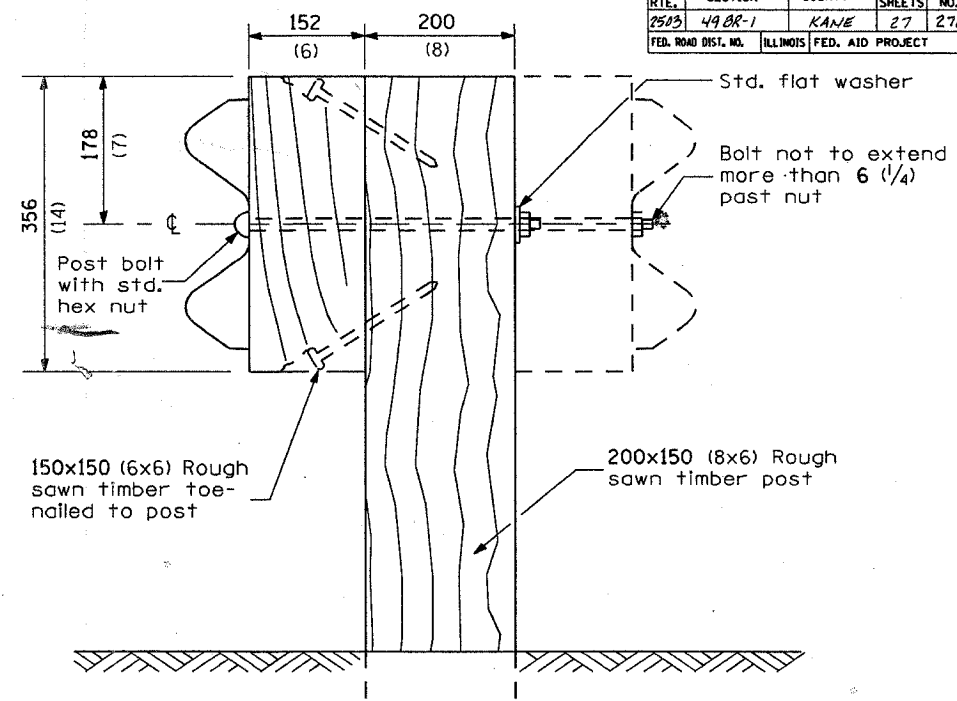


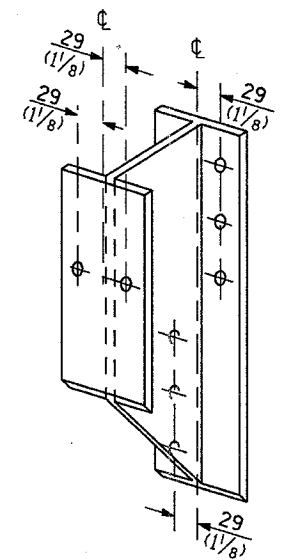
F.A.A. DIST. NO.	SECTION	COUNTY	TOTAL SHEETS	SHEET NO.
2503	49 BR-1	KANE	27	27B
FED. ROAD DIST. NO.	ILLINOIS	FED. AID PROJECT		



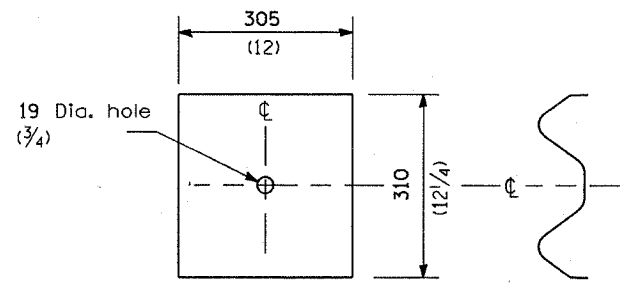
STEEL POST CONSTRUCTION



WOOD POST CONSTRUCTION



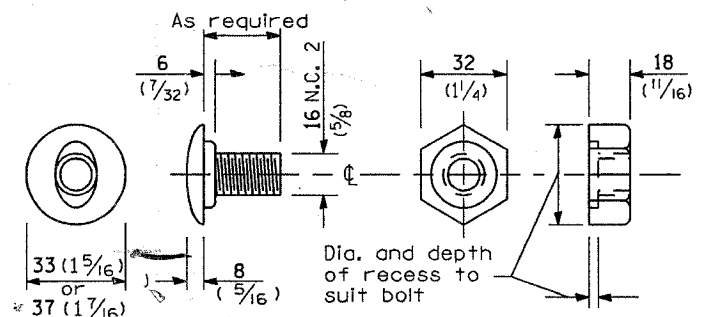
STEEL BLOCK-OUT DETAIL



NOTE

Plate A shall be placed between rail element and block-out at non-splice mounting points only when steel block-outs are used.

PLATE A



POST OR SPLICE BOLT & NUT

**REMOVE AND REERECT
STEEL PLATE BEAM GUARDRAIL**
(Sheet 2 of 4)
DETAIL