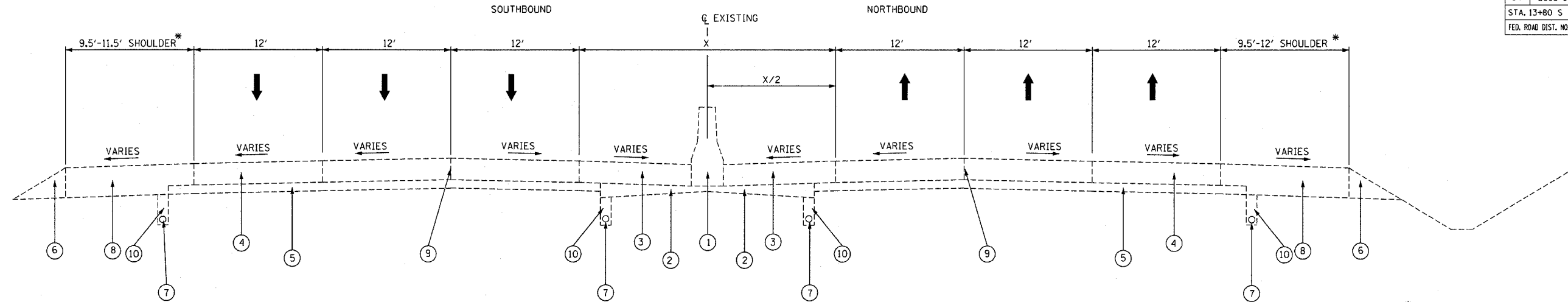


F.A.I. RTE.	SECTION	COUNTY	TOTAL SHEETS	SHEET NO.
94	2003-071 RS	COOK	91	7
STA. 13+80 S		TO STA. 296+00		
FED. ROAD DIST. NO. 1 ILLINOIS FED. AID PROJECT				

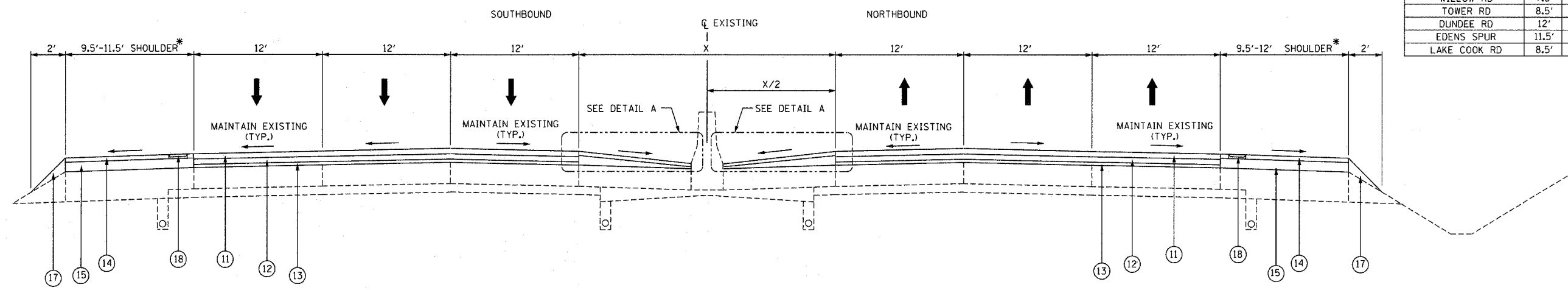


**EXISTING TYPICAL SECTION**  
 STA. 297+00 TO 407+75  
 STA. 422+75 TO 651+00

LOCATION	X
26+67 TO 297+22.87	25'
297+22.87 TO 315+01.29	25' TO 18'
26+67 TO 297+22.87	18'

\*UNDERPASS SHOULDER WIDTHS NOT INCLUDED

LOCATION	WIDTH	
	NB	SB
GLENVIEW RD	9.5'	8.5'
LAKE AVE	12'	2'
SKOKIE BLVD	9.5'	8'
WILLOW RD	7.5'	6'
TOWER RD	8.5'	8.5'
DUNDEE RD	12'	6'
EDENS SPUR	11.5'	11'
LAKE COOK RD	8.5'	9'



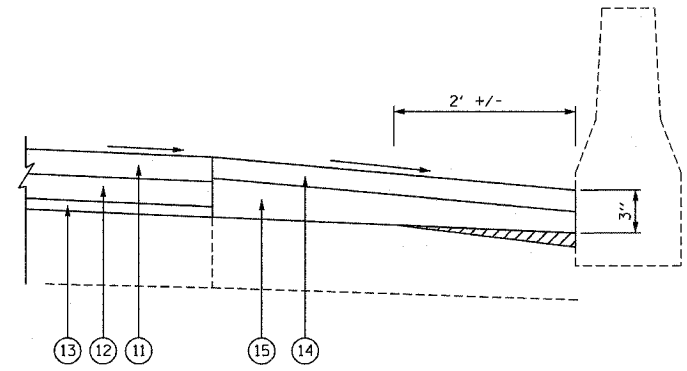
**PROPOSED TYPICAL SECTION**  
 STA. 297+00 TO 407+75  
 STA. 422+75 TO 651+00

**EXISTING LEGEND:**

- ① EXISTING CONCRETE BARRIER
- ② EXISTING GRANULAR SUB-BASE
- ③ EXISTING BITUMINOUS SHOULDERS
- ④ EXISTING P.C.C. PAVEMENT, 10"
- ⑤ EXISTING SUB-BASE
- ⑥ EXISTING AGGREGATE SHOULDER
- ⑦ EXISTING PIPE UNDERDRAIN
- ⑧ EXISTING BITUMINOUS SHOULDER, 13"
- ⑨ LONGITUDINAL JOINT
- ⑩ BACKFILL FOR UNDERDRAIN

**PROPOSED LEGEND:**

- ⑪ POLYMERIZED HOT-MIX ASPHALT SURFACE COURSE, STONE MATRIX ASPHALT, N80, 1-3/4"
- ⑫ POLYMERIZED HOT-MIX ASPHALT BINDER COURSE, STONE MATRIX ASPHALT, N80, 1-3/4"
- ⑬ POLYMERIZED LEVELING BINDER (MACHINE METHOD), IL-4.75, N50, 3/4"
- ⑭ HOT-MIX ASPHALT SURFACE COURSE, MIX "D", N70, 1-3/4"
- ⑮ HOT-MIX ASPHALT BINDER COURSE, IL-17, N70, VARIES 2-1/4" TO 2-3/4"
- ⑯ PROPOSED BARRIER WALL REFLECTORS, TYPE A
- ⑰ PROPOSED AGGREGATE SHOULDER, TYPE B
- ⑱ PROPOSED RUMBLE STRIPS



**DETAIL A**  
 N.T.S.

NAME	DATE

ILLINOIS DEPARTMENT OF TRANSPORTATION  
**EXISTING AND PROPOSED TYPICAL SECTIONS**  
 F.A.I. 94 (I-94)  
 SCALE: N.T.S.  
 DATE: MAY 2007  
 DRAWN BY: JW  
 CHECKED BY:  

PLOT DATE = 5/22/2007  
 FILE NAME = #FILE#  
 PLOT SCALE = #SCALE#  
 USER NAME = #USER#