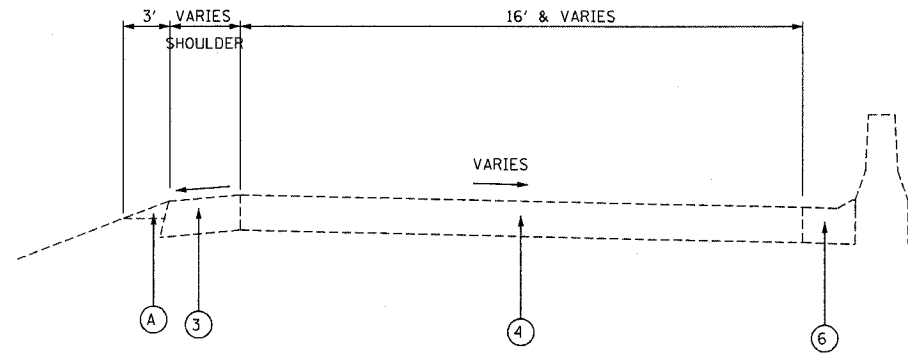
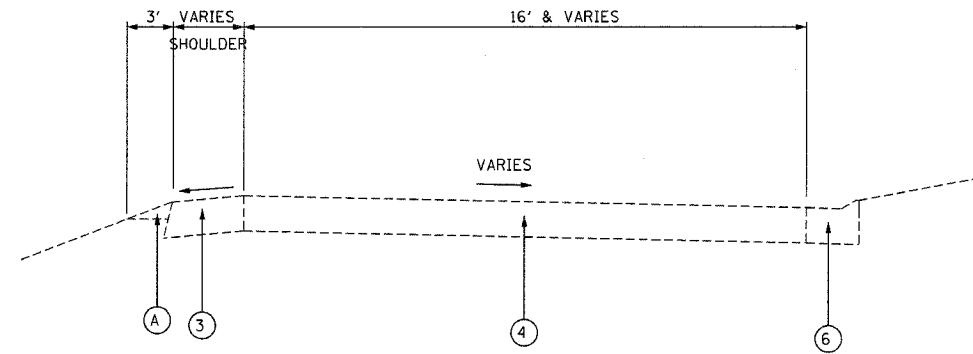


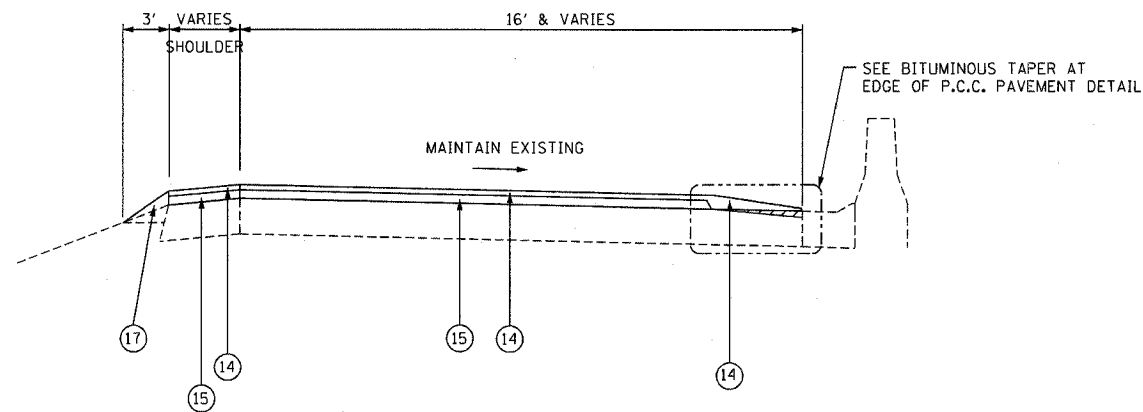
F.A.I. RTE.	SECTION	COUNTY	TOTAL SHEETS	SHEET NO.
94	2003-071 RS	COOK	91	11
STA.		TO STA.		
FED. ROAD DIST. NO. 1		ILLINOIS FED. AID PROJECT		



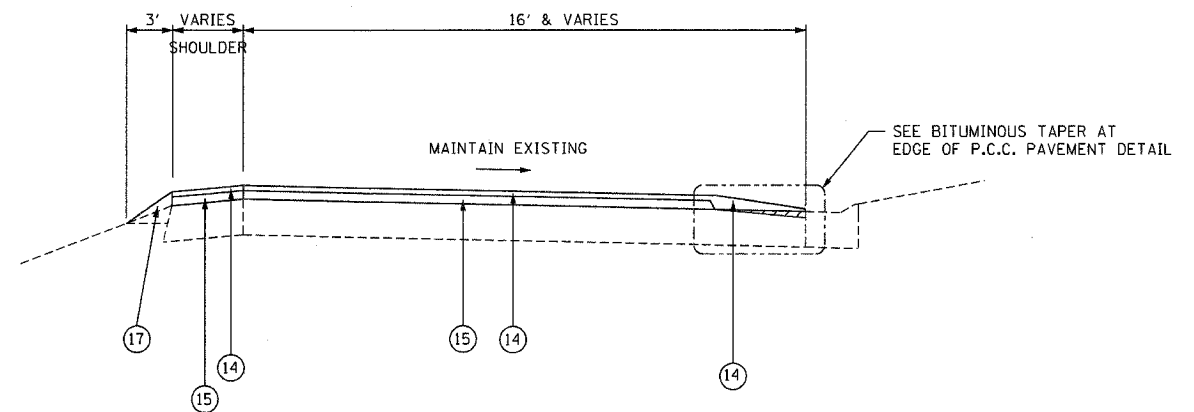
EXISTING TYPICAL SECTION AT RAMPS
SB LAKE-COOK RD. ENTRANCE RAMP



EXISTING TYPICAL SECTION AT RAMPS
SB LAKE AVE. ENTRANCE RAMP (SOUTH OF BRIDGE)



PROPOSED TYPICAL SECTION AT RAMPS
SB LAKE-COOK RD. ENTRANCE RAMP



PROPOSED TYPICAL SECTION AT RAMPS
SB LAKE AVE. ENTRANCE RAMP (SOUTH OF BRIDGE)

EXISTING LEGEND:

- 1 EXISTING CONCRETE BARRIER
- 2 EXISTING GRANULAR SUB-BASE
- 3 EXISTING BITUMINOUS SHOULDERS
- 4 EXISTING P.C.C. PAVEMENT, 10"
- 5 EXISTING SUB-BASE
- 6 EXISTING CONC. GUTTER TYPE-E OR COMB. CONC. C. & G. TY. M-6.24
- 7 EXISTING PIPE UNDERDRAIN
- 8 EXISTING BITUMINOUS SHOULDER, 13"
- 9 LONGITUDINAL JOINT
- 10 BACKFILL FOR UNDERDRAIN
- A EXISTING AGGREGATE SHOULDER

PROPOSED LEGEND:

- 11 POLYMERIZED HOT-MIX ASPHALT SURFACE COURSE, STONE MATRIX ASPHALT, N80, 1-3/4"
- 12 POLYMERIZED HOT-MIX ASPHALT BINDER COURSE, STONE MATRIX ASPHALT, N80, 1-3/4"
- 13 POLYMERIZED LEVELING BINDER (MACHINE METHOD), IL-4.75, N50, 3/4"
- 14 HOT-MIX ASPHALT SURFACE COURSE, MIX "D", N70, 1-3/4"
- 15 HOT-MIX ASPHALT BINDER COURSE, IL-17, N70, VARIES 2-1/4" TO 2-3/4"
- 16 PROPOSED BARRIER WALL REFLECTORS, TYPE A
- 17 PROPOSED AGGREGATE SHOULDER, TYPE B

PLOT DATE = 5/22/2007
FILE NAME = #FILE19
PLOT SCALE = #SCALE9
USER NAME = DBFGJBT

REVISIONS	
NAME	DATE

ILLINOIS DEPARTMENT OF TRANSPORTATION
EXISTING AND PROPOSED
TYPICAL SECTIONS
F.A.I. 94 (I-94)

SCALE: N.T.S.
DATE: MAY 2007

DRAWN BY JW
CHECKED BY