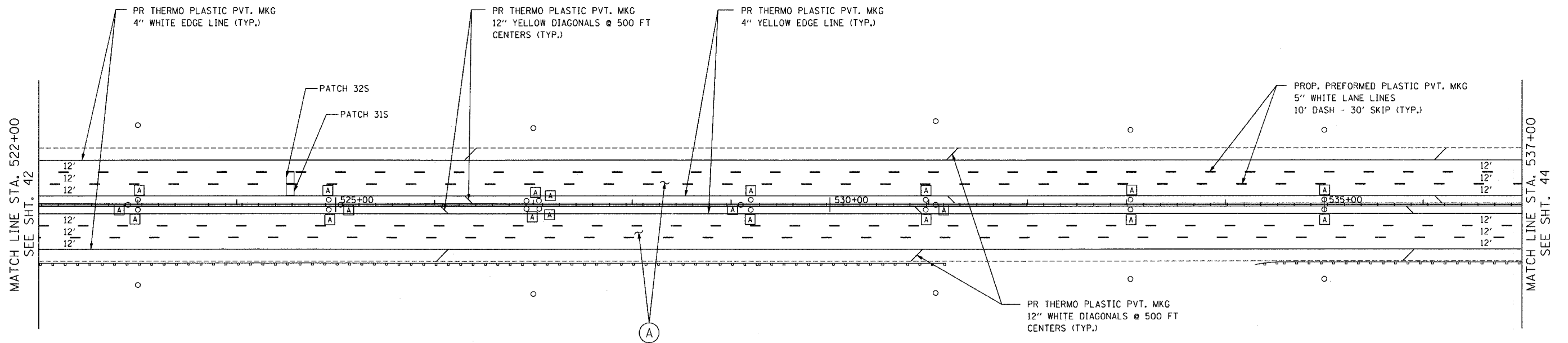


F.A.I. RTE.	SECTION	COUNTY	TOTAL SHEETS	SHEET NO.
94	2003-071 RS	COOK	91	43
STA. 522+00		TO STA. 537+00		
FED. ROAD DIST. NO. 7		ILLINOIS FED. AID PROJECT		



**LEGEND**

- (A) PROPOSED MAINLINE RESURFACING
  - POLYMERIZED HMA SURFACE, SMA, N80 1-3/4"
  - POLYMERIZED HMA BINDER, SMA, N80 1-3/4"
- PROPOSED MAINLINE SHOULDER RESURFACING
  - HMA SURFACE, MIX D, N70 (IL 9.5 mm) 1-3/4"
  - HMA BINDER, IL-19, N70, VARIES 2-1/4" TO 2-3/4"
- (B) PROPOSED RAMP AND RAMP SHOULDER RESURFACING
  - HMA SURFACE, MIX D, N70 (IL 9.5mm) 1-3/4"
  - HMA BINDER, IL-19, N70, VARIES 2-1/4" TO 2-3/4"
- (A) FRAMES AND GRATES TO BE ADJUSTED

NOTE:  
SEE "MULTI-LANE FREEWAY  
PAVEMENT MARKING DETAILS"  
FOR PLACEMENT & TYPE  
OF RAISED REFLECTIVE  
PAVEMENT MARKERS

REVISIONS	
NAME	DATE

ILLINOIS DEPARTMENT OF TRANSPORTATION  
PROPOSED ROADWAY PLANS  
F.A.I. 94 (I-94)  
STA 522+00 TO STA 537+00

SCALE: 1"=50'  
DATE MAY 2007

DRAWN BY  
CHECKED BY

PLOT DATE = 5/22/2007  
FILE NAME = BFILE1  
PLOT SCALE = BSCALE  
USER NAME = BFOUR