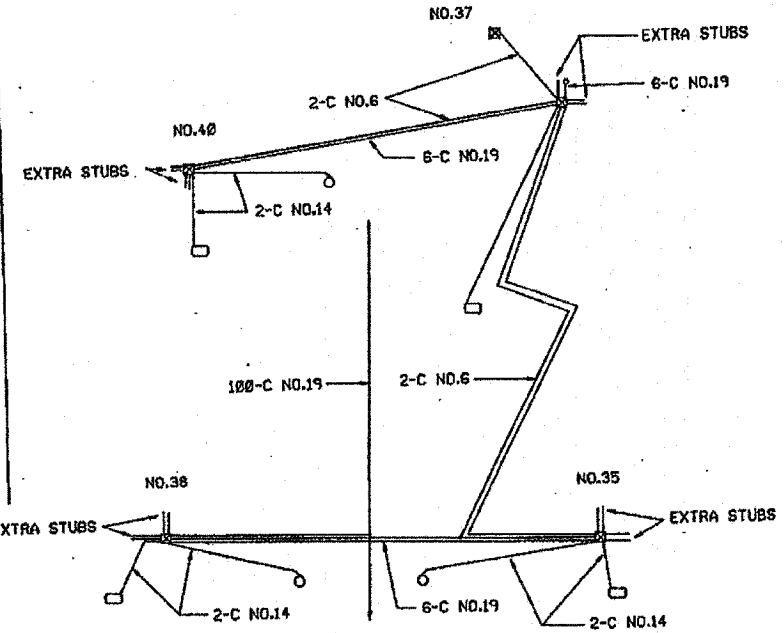
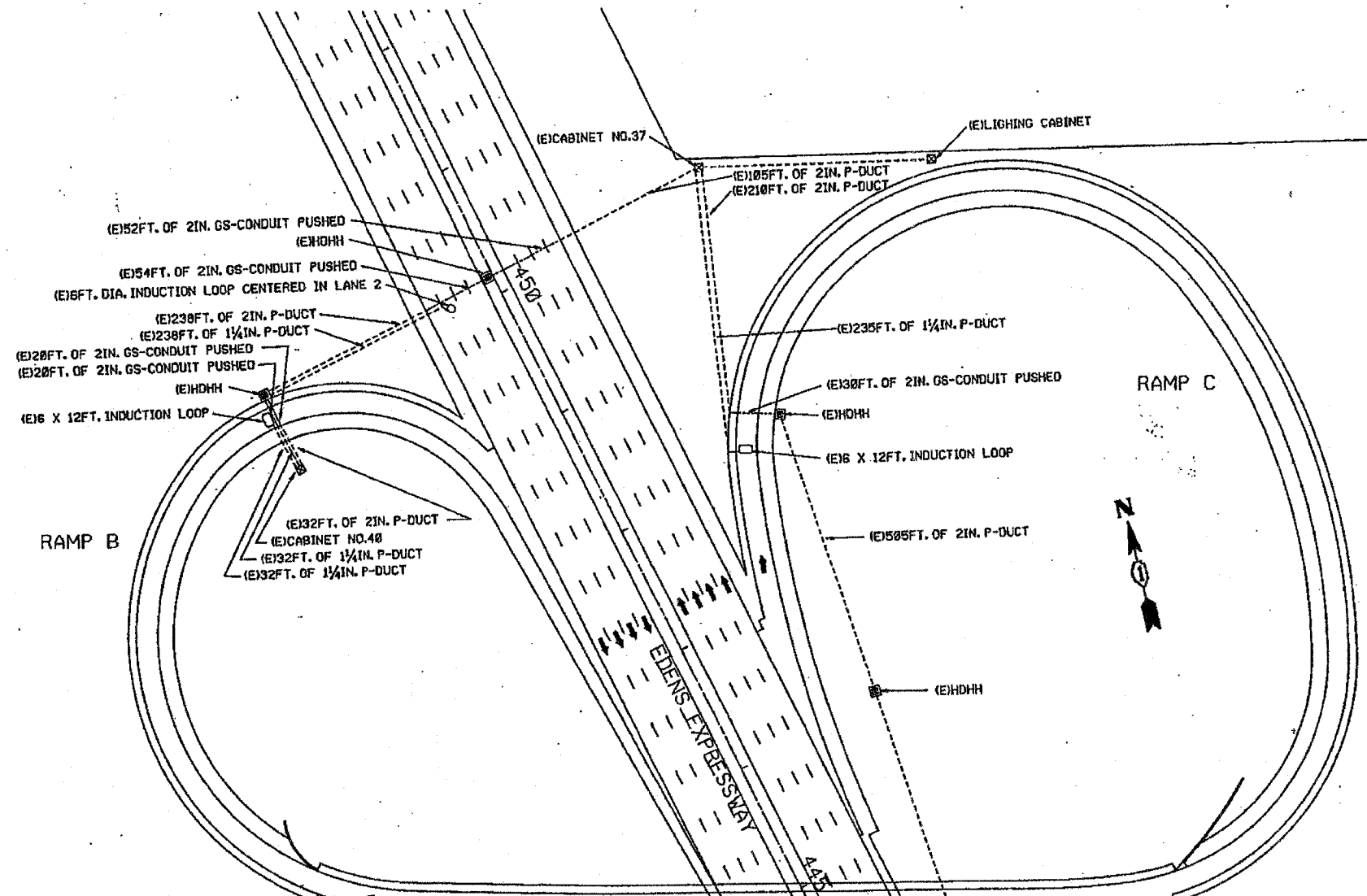
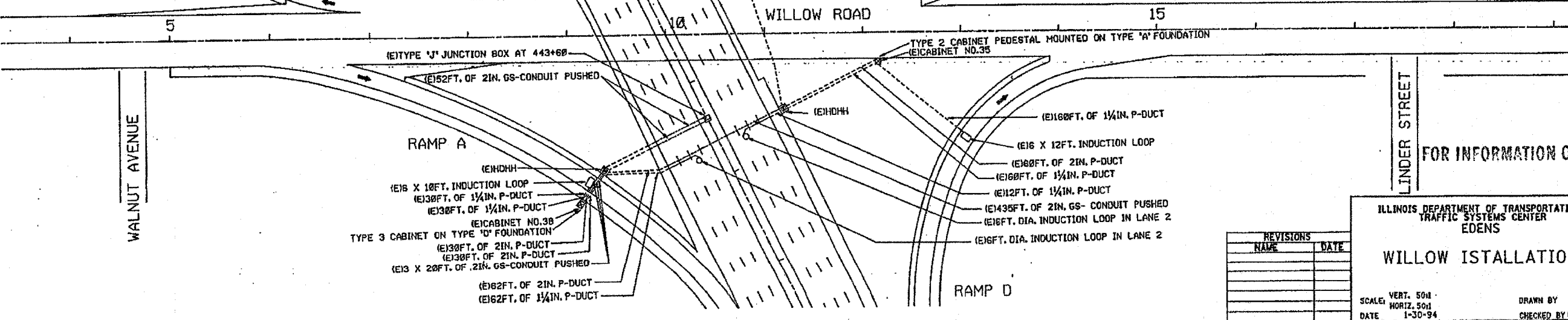


P.A. NO.	SECTION	COUNTY	TOTAL SHEETS	SHEET NO.
		COOK	90	67
STA.	TO STA.			
FILE NO.	DATE	BY	CHECKED BY	

SYMBOL	LEGEND
□	INDUCTION LOOP
○	ROUND INDUCTION LOOP
⊠	TSC CABINET
△	TELEPHONE SERVICE
○	SERVICE INSTALLATION
⊞	JUNCTION BOX
■	HEAVY DUTY HAND HOLE
---	POLYETHYLENE DUCT
---	GALVANIZED STEEL CONDUIT
▶	FLASHER



WIRING DIAGRAM



LINDER STREET

FOR INFORMATION ONLY

ILLINOIS DEPARTMENT OF TRANSPORTATION
TRAFFIC SYSTEMS CENTER
EDENS

WILLOW INSTALLATION

SCALE: VERT. 50:1
HORIZ. 50:1
DATE: 1-30-94

DRAWN BY: G.M.
CHECKED BY: D.S.

REVISIONS	
NAME	DATE

TRAFFIC SYSTEMS CENTER

RF-EDENS.W.DGN
RF-EDENS.W.PRN

VI-WILLOW