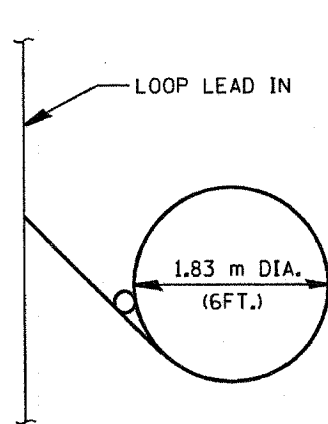
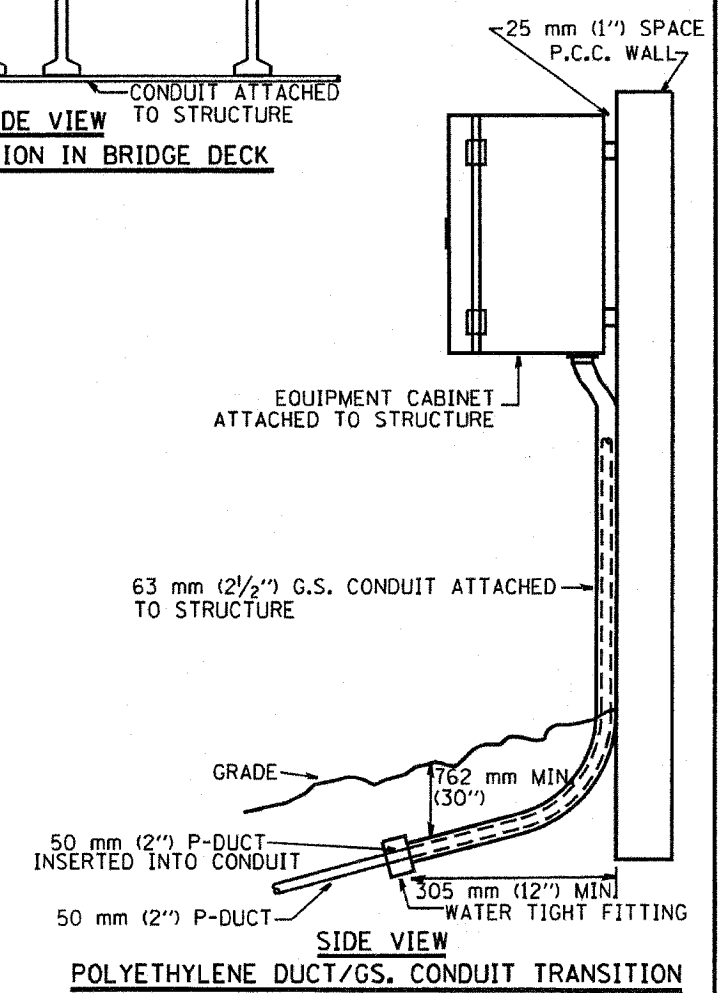
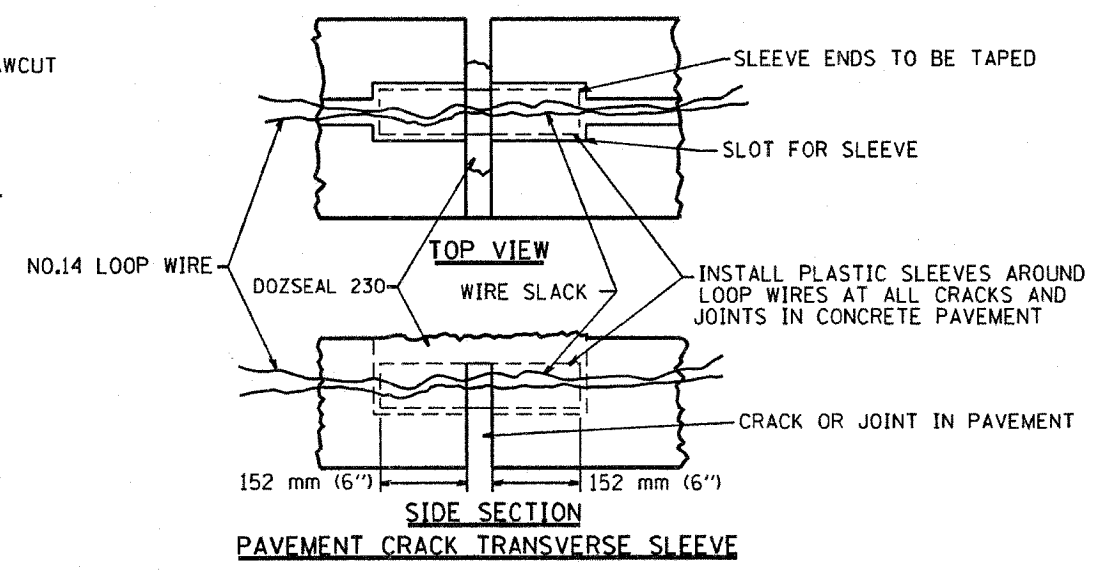
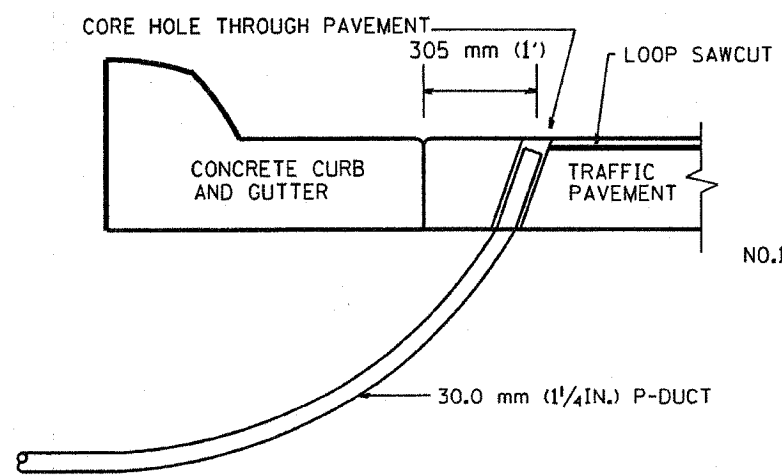
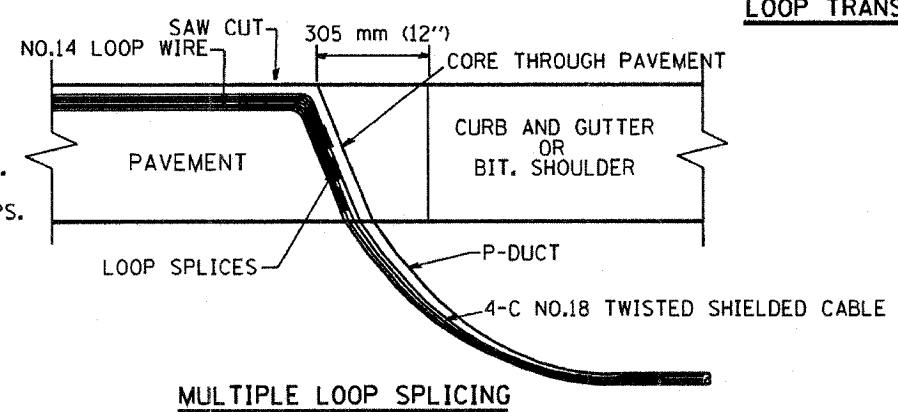
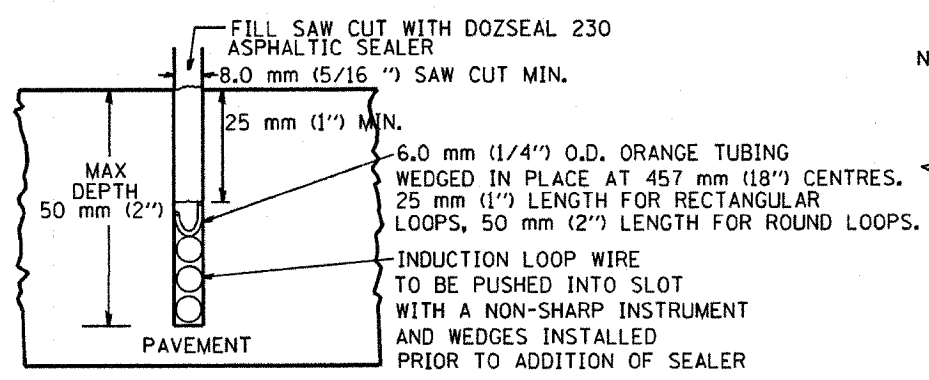
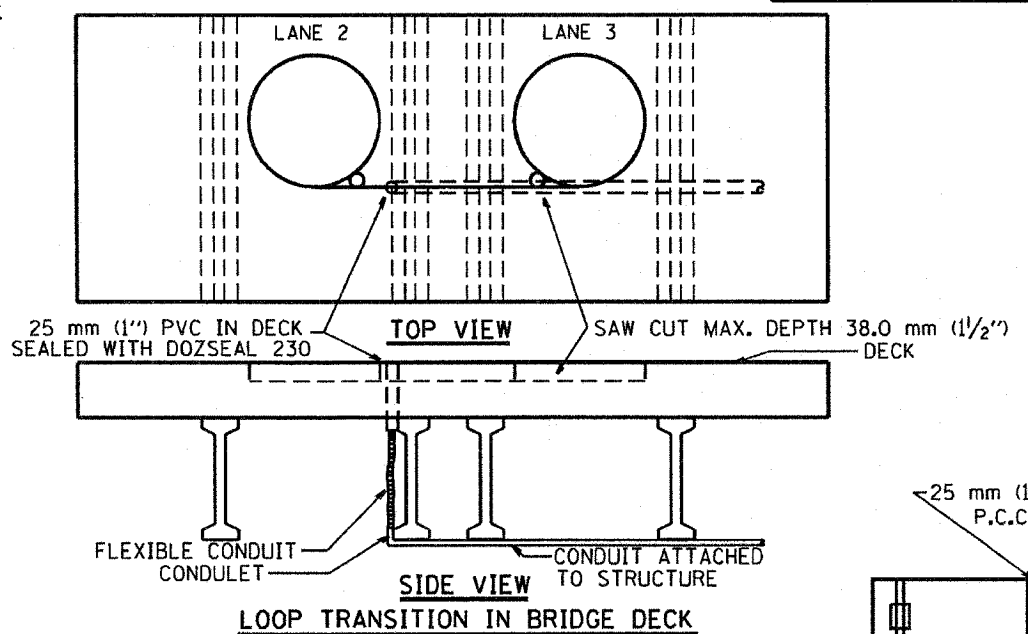
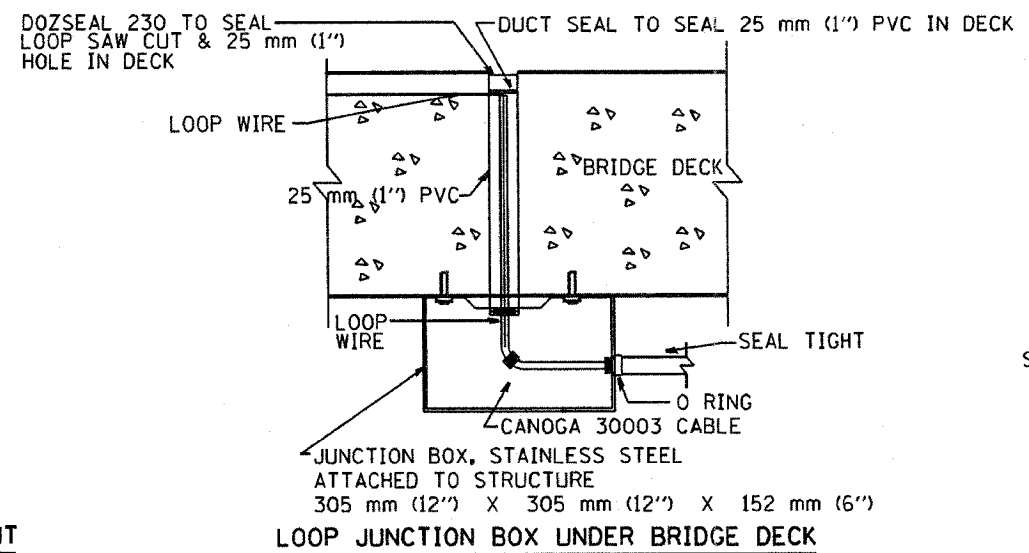


F.A. RTE.	SECTION	COUNTY	TOTAL SHEETS	SHEET NO.
			90	77
STA. _____		TO STA. _____		
FED. ROAD DIST. NO. _____ ILLINOIS FED. AID PROJECT				



TYPICAL LOOP SAWCUT LAYOUT



REVISIONS		ILLINOIS DEPARTMENT OF TRANSPORTATION TRAFFIC SYSTEMS CENTER
NAME	DATE	
R.L.	6/94	<p>LOOP, CONDUIT &amp; DUCT INSTALLATION DETAILS</p> <p>SCALE: VERT. NONE HORIZ. NONE</p> <p>DATE 6-22-94</p> <p>DRAWN BY G.W. CHECKED BY R.L.</p>
R.L.	3/95	
T.C.	11/95	
R.L.	05/96	
T.C.	10/96	

RD-TYPMET.DGN  
RF\*

V1-4184