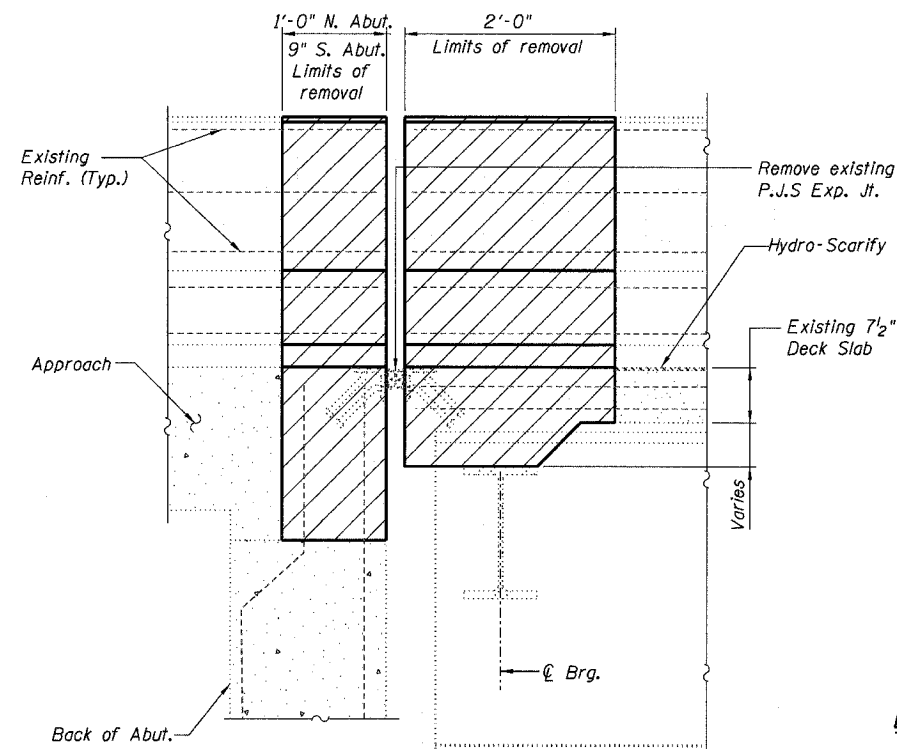


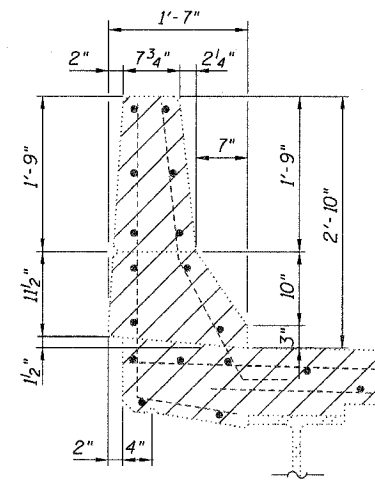
STATE OF ILLINOIS
DEPARTMENT OF TRANSPORTATION

ROUTE NO.	SECTION	COUNTY	TOTAL SHEETS	SHEET NO.
F.A.I. 94/ F.A.P. 346	2003-071 RS	COOK	91	84
FED. ROAD DIST. NO. 7	ILLINOIS	FED. AID PROJECT		

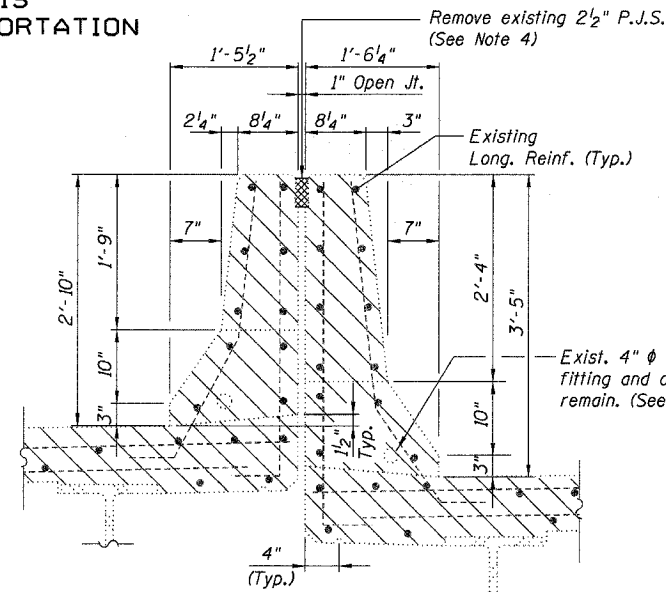
Contract # 62636



SECTION A-A

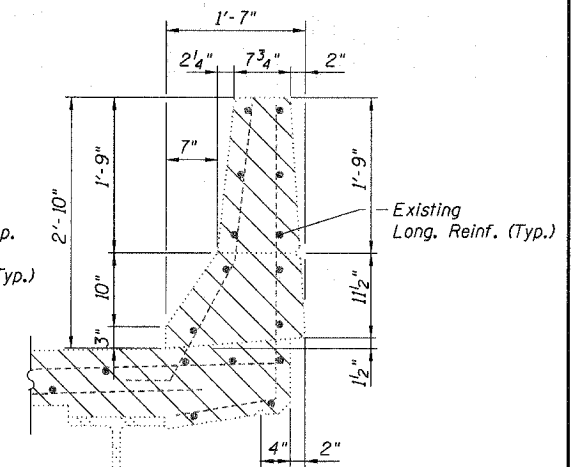


SB PARAPET



SB MEDIAN PARAPET

NB MEDIAN PARAPET



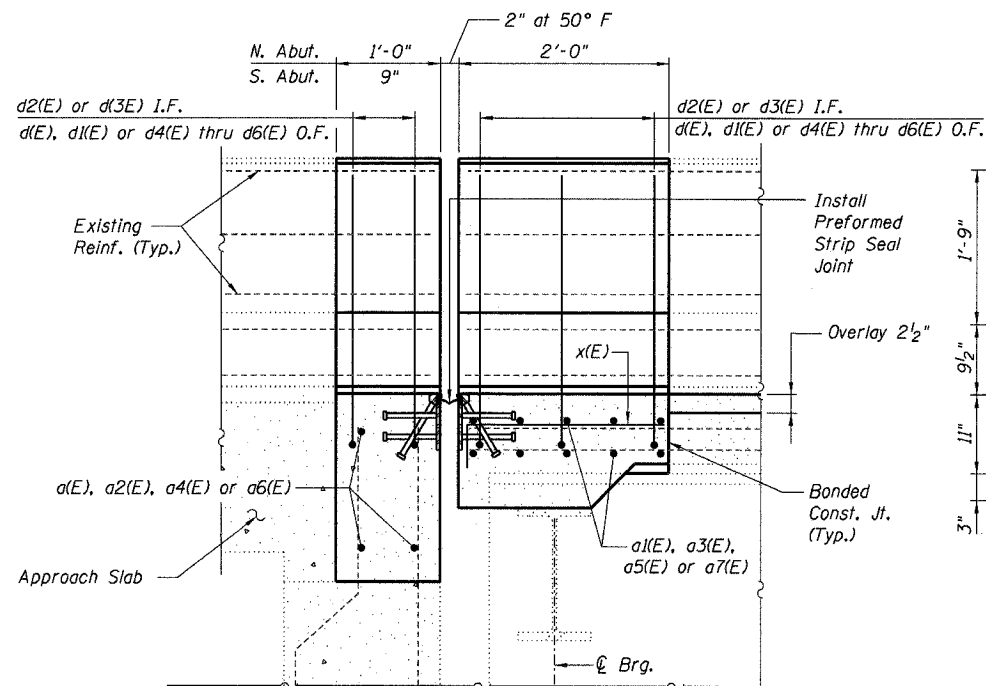
NB PARAPET

LEGEND

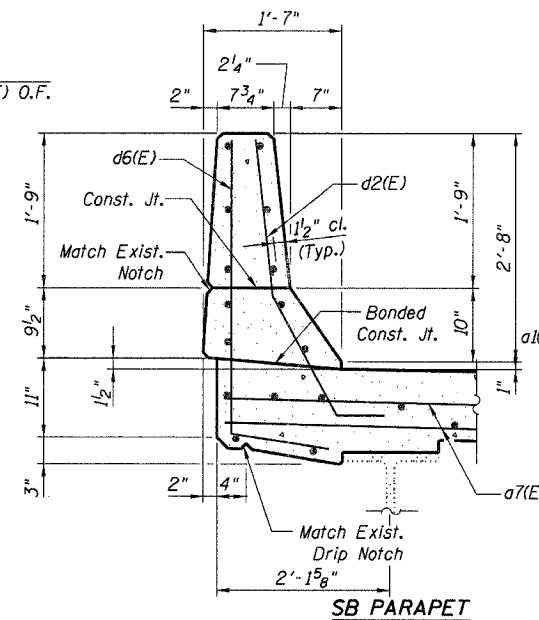


Concrete Removal

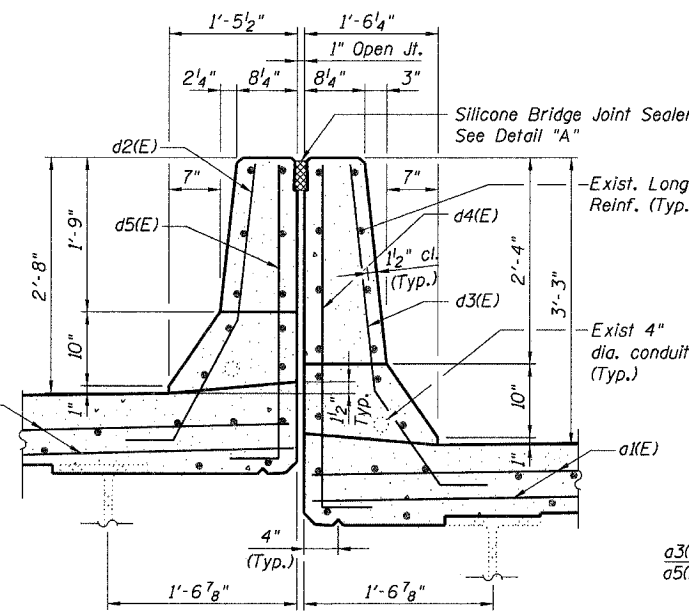
SECTION B-B



SECTION D-D



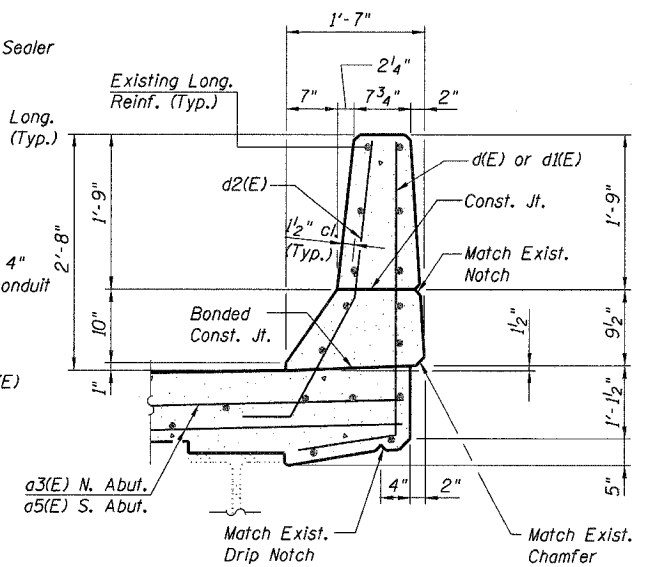
SB PARAPET



SB MEDIAN PARAPET

NB MEDIAN PARAPET

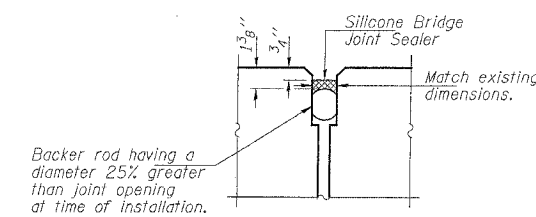
SECTION C-C



NB PARAPET

NOTES

1. I.F. denotes Inside Face, O.F. denotes Outside Face.
2. Work required for removal of existing expansion joint shall be included in the cost of Concrete Removal.
3. Work this Sheet with Sheet No. 83.
4. Work required for removal of existing median P.J.S shall be included in the cost of Silicone Bridge Joint Sealer, 2".
5. The Contractor shall exercise extreme care with the existing conduits in sections of the parapet to be removed and to protect and support the conduit. The Contractor will be required to repair any damage done to the conduit to the satisfaction of the Engineer. No splicing will be allowed to any cable damage resulting from this work; instead the Contractor will be required to replace the entire span of any damaged cable.



DETAIL "A"

EXPANSION JOINT REMOVAL
AND REPLACEMENT DETAILS I
F.A.I. 94/ (EDENS EXPRESSWAY)
OVER SKOKIE RIVER
COOK COUNTY
STATION 394+08.55
STRUCTURE NO. 016-0102

DESIGNED -	KMS/DWH
CHECKED -	JSD
DRAWN -	EF
CHECKED -	DWH/JSD

LOCHNER
H.W. LOCHNER, INC., CHICAGO, ILLINOIS

I:\2298\struct\dgn\0102EXP01.dgn