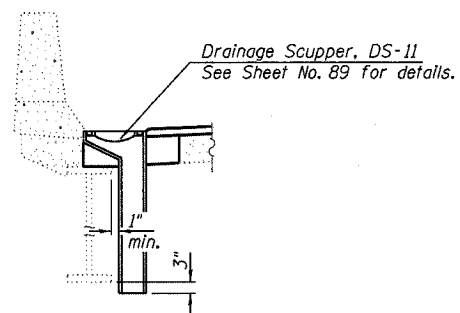


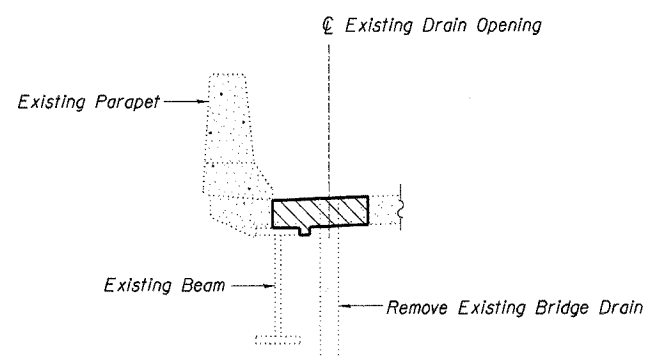
STATE OF ILLINOIS  
DEPARTMENT OF TRANSPORTATION

ROUTE NO.	SECTION	COUNTY	SHEET NO.	TOTAL SHEETS
F.A.I. 94/ F.A.P. 346	2003-071 RS	COOK	91	88
FED. ROAD DIST. NO. 7	ILLINOIS	FED. AID PROJECT		

Contract # 62636



SECTION B-B

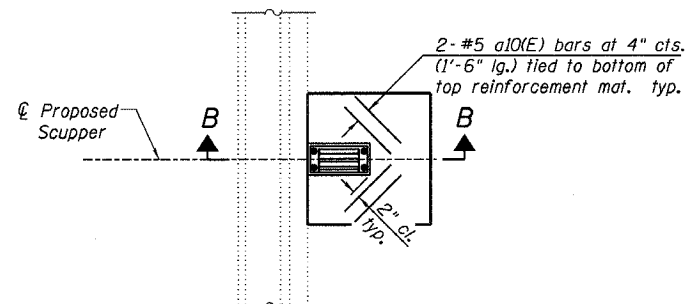


SECTION A-A

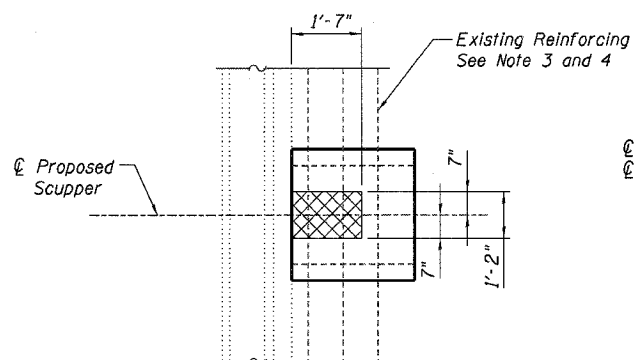
Hatched areas indicate concrete sections to be removed and replaced. Perimeters of concrete removal areas shall be saw cut 3/4" prior to the removal of concrete.

BILL OF MATERIAL

Bar	No.	Size	Length	Shape
a10(E)	8	#5	1'-6"	—
Concrete Removal			Cu. Yd.	0.3
Concrete Superstructure			Cu. Yd.	0.3
Reinforcement Bars, Epoxy Coated			Pound	10

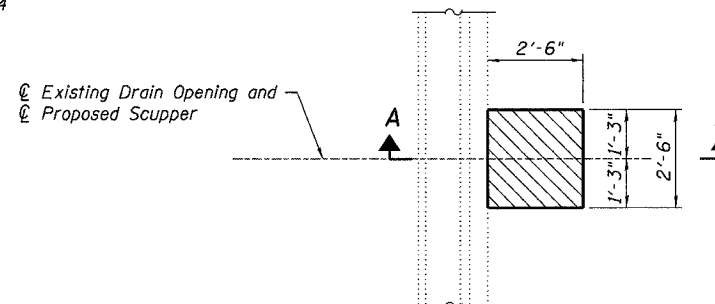


PROPOSED PLAN



EXISTING PLAN - SHOWING REINFORCING REMOVAL

Cross hatched area indicates limits of existing reinforcing steel to be removed



EXISTING PLAN - SHOWING CONCRETE REMOVAL LIMITS

(2 Locations)

NOTES

1. Removal of existing bridge drains is included in the cost of the pay item Concrete Removal.
2. Cut only reinforcing steel necessary to fit proposed Scupper.
3. All existing reinforcing bars to be cut/removed shall be approved by the Engineer prior to cutting/removal.

DESIGNED -	DWH
CHECKED -	JSD
DRAWN -	EF
CHECKED -	JSD

**LOCHNER**  
H.W. LOCHNER, INC., CHICAGO, ILLINOIS

DRAINAGE SCUPPER REMOVAL  
AND REPLACEMENT PLAN  
F.A.I. 94/ (EDENS EXPRESSWAY)  
OVER SKOKIE RIVER  
COOK COUNTY  
STATION 394+08.55  
STRUCTURE NO. 016-0102