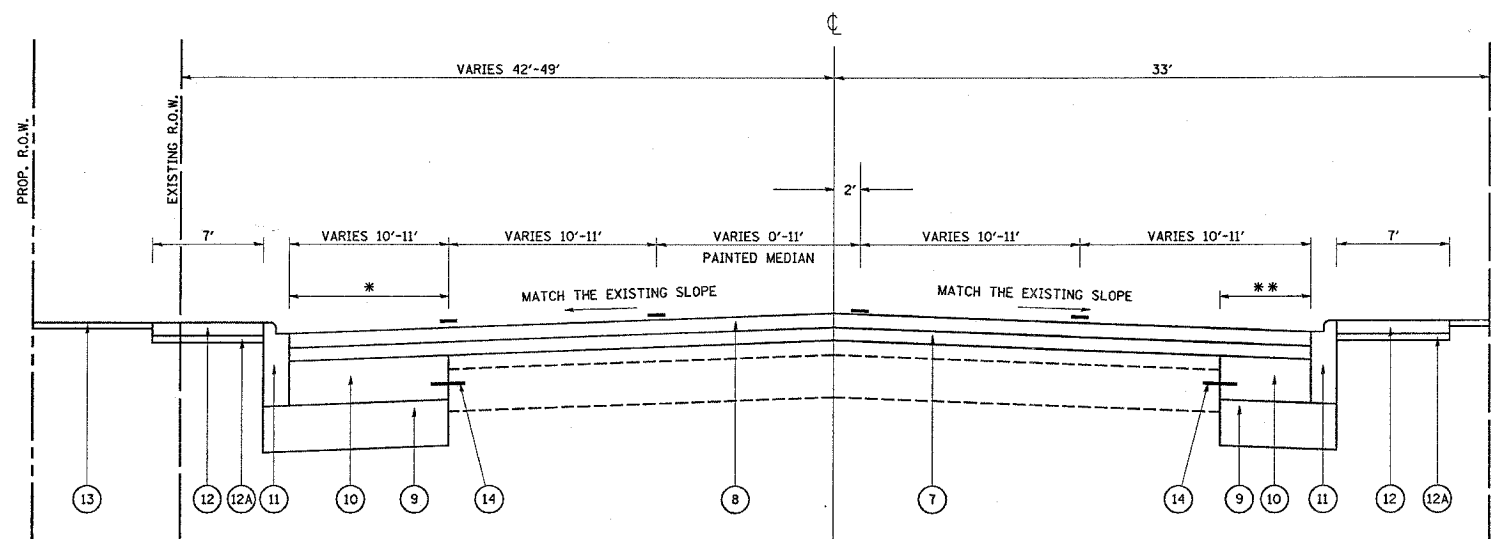


F.A.P. RTE.	SECTION	COUNTY	TOTAL SHEETS	SHEET NO.
344	3034N-1	COOK	77	8
STA.		TO STA.		
FED. ROAD DIST. NO. 1		ILLINOIS FED. AID PROJECT		

CONTRACT NO. 62719



PROPOSED TYPICAL SECTION
127TH ST.
STA. 93+85 TO STA. 97+10

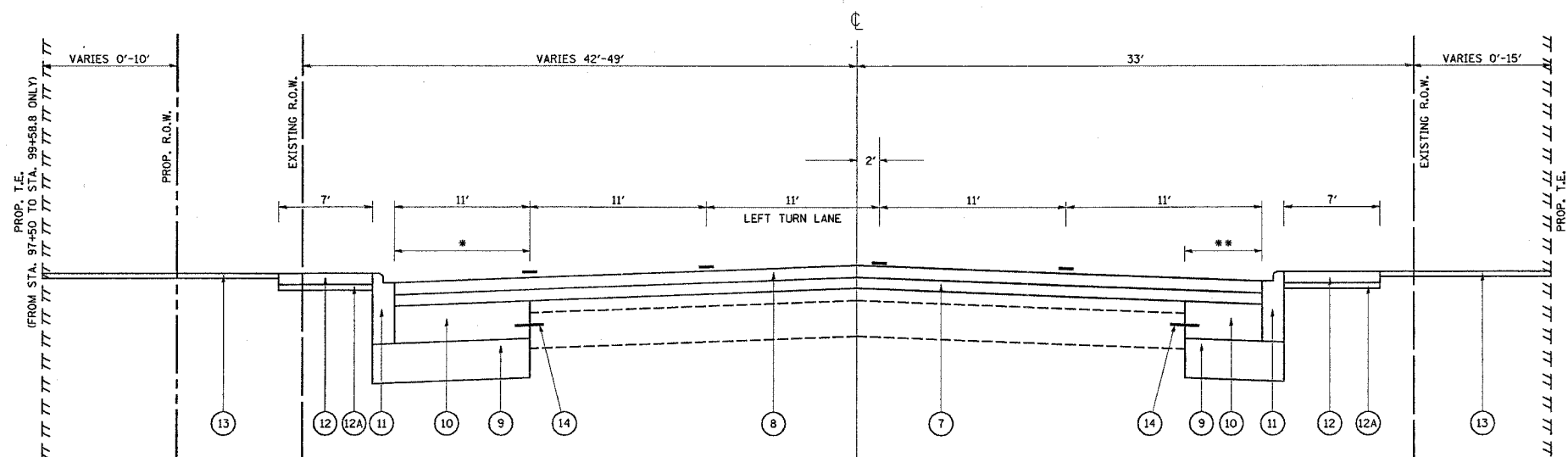
* WIDENING 0'-11" ON NORTH SIDE AS PER PLAN (TYP.)
** WIDENING 0'-4" ON SOUTH SIDE AS PER PLAN (TYP.)

- LEGEND**
- ① EXISTING P.C.C. PAVEMENT, VARIES 6"-9 3/4"
 - ①A EXISTING CORRUGATED P.C. CONCRETE MEDIAN
 - ② EXISTING HMA SURFACE AFTER MILLING, VARIES 1/2"-2 1/4"
 - ③ EXISTING COMBINATION CONCRETE CURB AND GUTTER, B-6.12
 - ④ EXISTING P.C.C. SIDEWALK
 - ⑤ EXISTING PARKWAY
 - ⑥ PROPOSED HMA REMOVAL, 2 1/2"
 - ⑥A PROPOSED MEDIAN REMOVAL (PARTIAL DEPTH)
 - ⑦ PROPOSED POLYMERIZED LEVELING BINDER (MACHINE METHOD), IL-4.75, NSO, 1"
 - ⑧ PROPOSED HMA SURFACE COURSE, MIX "D", N70, 1 1/2"
 - ⑨ PROPOSED AGGREGATE SUB-GRADE, 12"
 - ⑩ PROPOSED P.C.C. BASE COURSE, 9"
 - ⑪ PROPOSED COMBINATION CONCRETE CURB & GUTTER, B-6.12
 - ⑫ PROPOSED P.C.C. SIDEWALK, 5"
 - ⑫A SUB-BASE GRANULAR MATERIAL, TYPE B, 4"
 - ⑬ PROPOSED TOP SOIL, 4"
 - ⑭ PROPOSED DRILL AND GROUT #8 EPOXY COATED DEFORMED STEEL TIE BAR, 24" LONG, 24" C-C, COST INCLUDED IN P.C.C. BASE COURSE PAY ITEM.

MIXTURE REQUIREMENTS

MIXTURE USE	AC/PG	DESIGN AIR VOIDS	REMARKS
HOT-MIX ASPHALT SURFACE COURSE, MIX "D", N70	PG 64-22	4% @ 70 GYR.	IL-9.5MM
*HOT-MIX ASPHALT SURFACE COURSE, MIX "C", NSO	PG 64-22	4% @ 50 GYR.	IL-9.5MM
POLYMERIZED LEVELING BINDER (MACHINE METHOD), IL-4.75, NSO	SBS/SBR PG 76-28/-22	4% @ 50 GYR.	
HOT-MIX ASPHALT REPLACEMENT OVER PATCHES	PG 64-22/58-22	4% @ 70 GYR.	BINDER IL-19MM
CLASS "D" PATCHES	PG 64-22/58-22	4% @ 70 GYR.	BINDER IL-19MM
HOT-MIX ASPHALT BASE COURSE, 6"	PG 64-22/58-22	2% @ 50 GYR.	BINDER IL-19MM

NOTE:
*THE UNIT WEIGHT USED TO CALCULATE ALL HOT-MIX ASPHALT SURFACE MIXTURE QUANTITIES IS 112 LBS/SQ.YD./IN"
* FOR DRIVEWAYS



PROPOSED TYPICAL SECTION
127TH ST.
STA. 97+10 TO STA. 103+61

REVISIONS		ILLINOIS DEPARTMENT OF TRANSPORTATION 127TH STREET (BURR OAK AVE.) AT MAPLE AVE. TYPICAL SECTIONS
NAME	DATE	

SCALE: VERT. _____
HORIZ. _____
DATE 1/9/2007
DRAWN BY _____
CHECKED BY _____