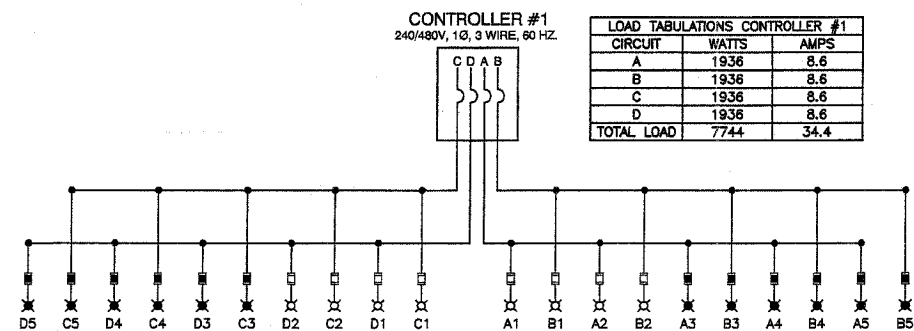


F.A.P. NO.	SECTION	COUNTY	TOTAL SHEETS	SHEET NO.
344	3034 N-1	COOK	71	40
FED. ROAD DIST. NO. 1		ILLINOIS	FED. AID PROJECT	



SINGLE LINE LEGEND

- ⊗ LUMINAIRE, 250W HPS, STREET LIGHT
- ⊗ LUMINAIRE, 400W HPS, STREET LIGHT
- FUSE, 3.5 AMP
- FUSE, 5.0 AMP
- A1 LUMINAIRE CIRCUIT
- } CIRCUIT BREAKER
- CONNECTION

MFT SECTION 06-00173-00-LT

ROBINSON ENGINEERING, LTD. CONSULTING REGISTERED PROFESSIONAL ENGINEERS AND PROFESSIONAL LAND SURVEYORS 17000 SOUTH PARK AVENUE SOUTH HOLLAND, ILLINOIS 60473 (708) 581-4700 FAX (708) 581-3285 © COPYRIGHT 2006 ILLINOIS DESIGN FIRM REGISTRATION NO. 184001125.		REVISIONS		
		No.	Date	Remarks
F.A.P. ROUTE 344 127TH STREET @ MAPLE ROAD STREET LIGHTING SINGLE LINE WIRING DIAGRAM BLUE ISLAND, ILLINOIS				
Drawn by: RG	Date: 11/27/06			
Checked by: PAP	Scale: NONE			
Sheet of	Project No. 06-688			