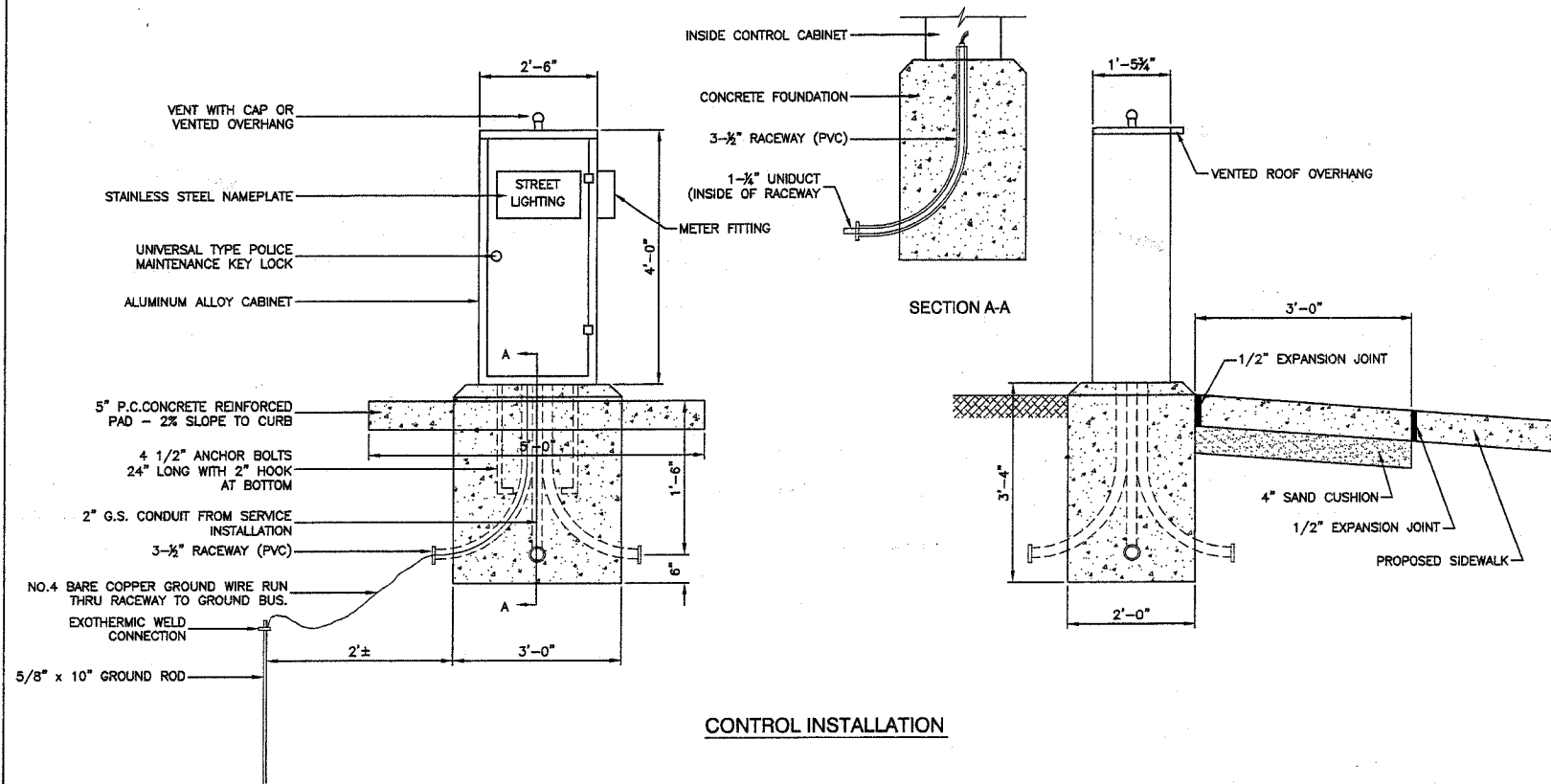
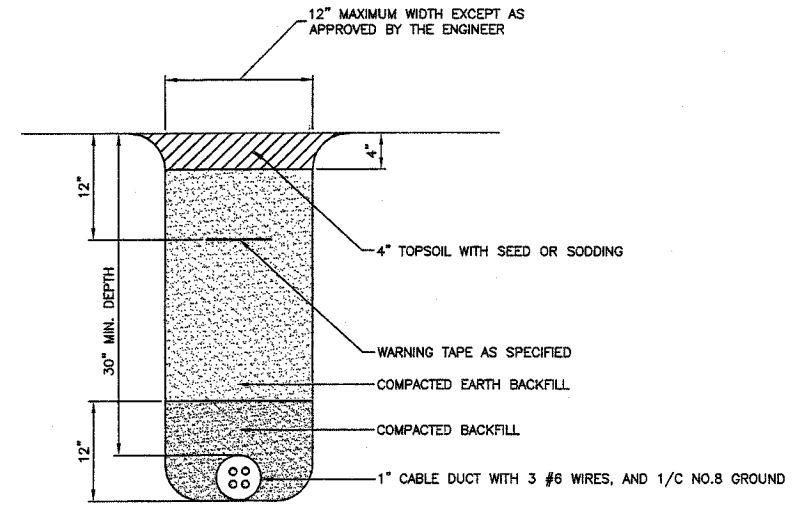
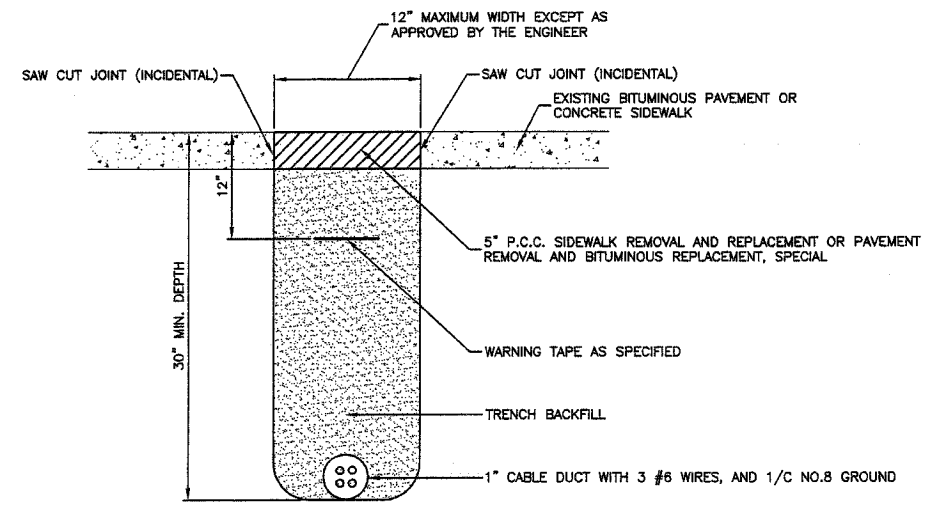
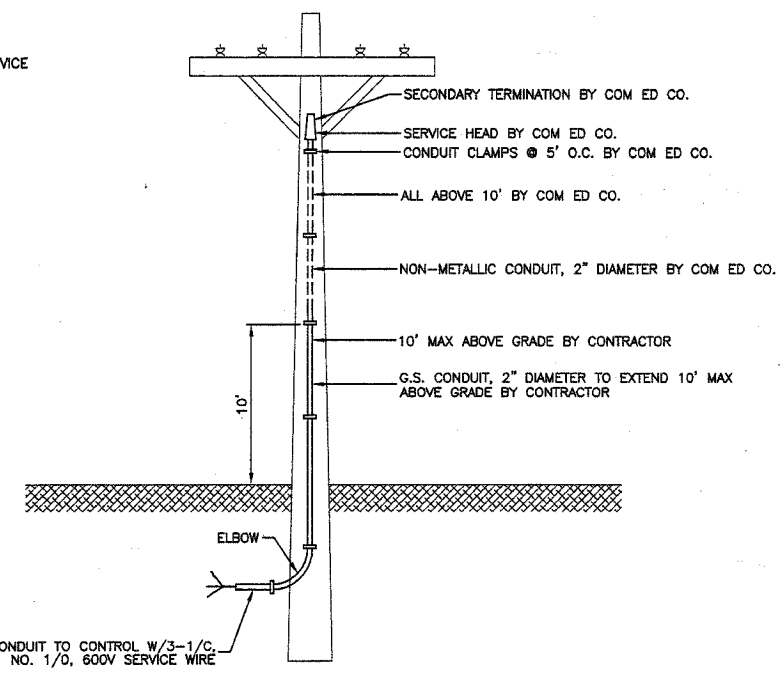


F.A.P. SITE	SECTION	COUNTY	TOTAL SHEETS	SHEET NO
344	3034 N-1	COOK	71	41
FED. ROAD DIST. NO. 1		ILLINOIS FED. AID PROJECT		



240/480 VOLT, 1 $\phi$ , 3 WIRE, 60HZ SERVICE  
KVA LOAD, CONTROLLER #1



BITUMINOUS PAVEMENT OR CONCRETE SIDEWALK  
REMOVAL AND REPLACEMENT

TRENCH DETAIL

MFT SECTION 06-00173-00-LT

**ROBINSON ENGINEERING, LTD.**  
CONSULTING REGISTERED PROFESSIONAL ENGINEERS  
AND PROFESSIONAL LAND SURVEYORS  
17000 SOUTH PARK AVENUE SOUTH HOLLAND, ILLINOIS 60473  
(708) 331-6700 FAX (708) 331-3688

© COPYRIGHT 2006  
ILLINOIS DESIGN FIRM REGISTRATION NO. 184021128

F.A.P. ROUTE 344  
127TH STREET @ MAPLE ROAD  
STREET LIGHTING  
DETAILS

**BLUE ISLAND, ILLINOIS**

Drawn by: RG	Date: 11/27/06
Checked by: PAP	Scale: NONE
Sheet of	Project No. 06-688

REVISIONS		
No.	Date	Remarks