

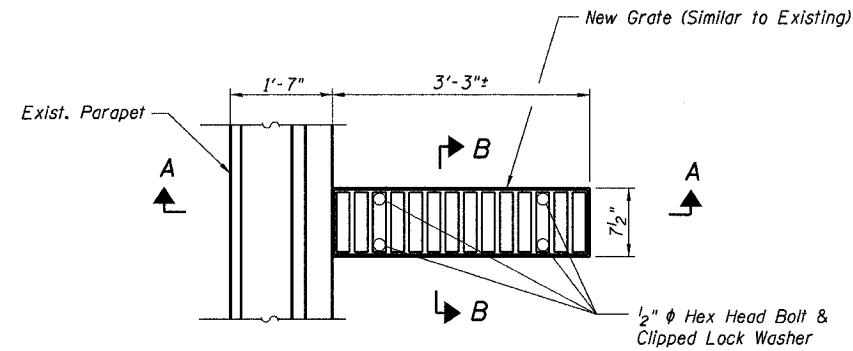
STATE OF ILLINOIS  
DEPARTMENT OF TRANSPORTATION

ROUTE NO.	SECTION	COUNTY	TOTAL SHEETS	SHEET
F.A.I. 94	2006-043 RS	COOK	135	122d
FED. ROAD DIST. NO. 7	ILLINOIS	FED. AID PROJECT		

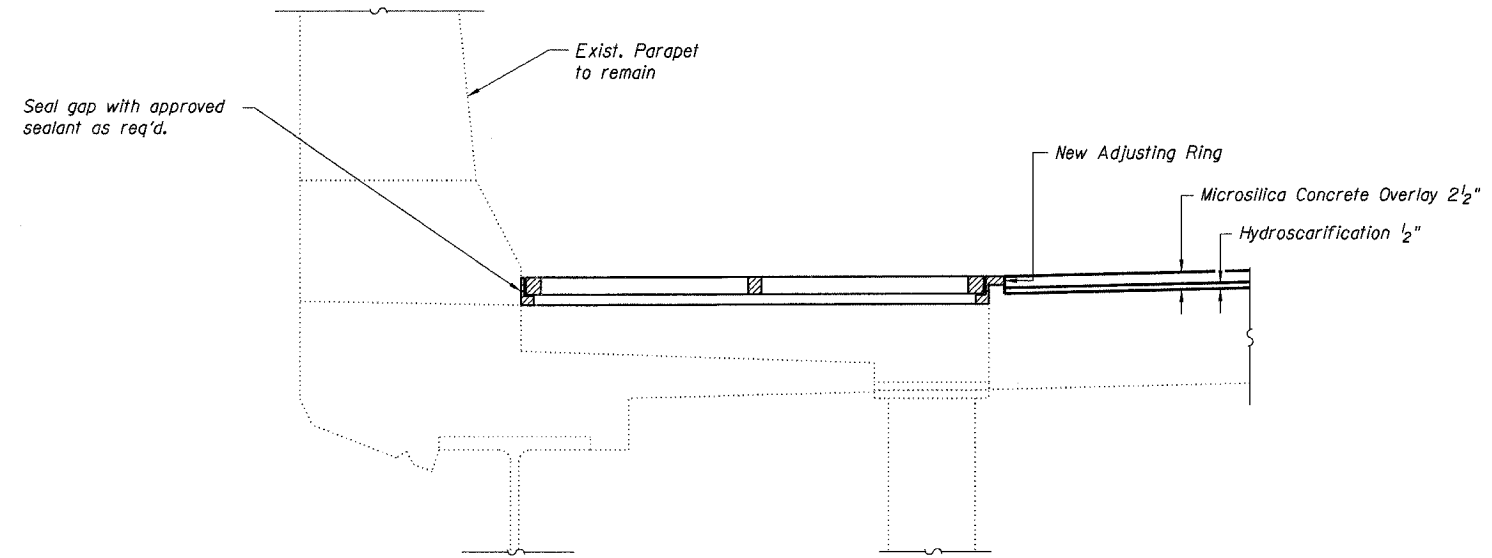
Contract # 62747

**BILL OF MATERIAL**

Item	Unit	Total
Adjusting Drainage Scuppers, Type A	Each	7



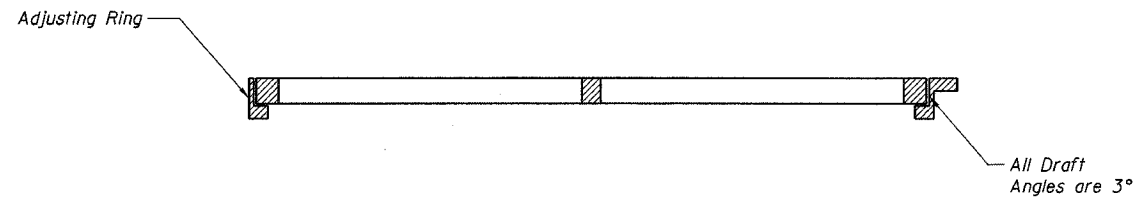
**PROPOSED PLAN AT SCUPPER**



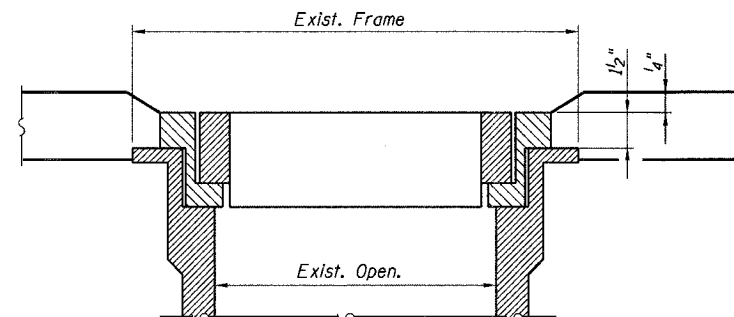
**SECTION THRU SCUPPER**

**NOTES**

1. The contractor shall verify the exact location, type and dimensions of the existing scuppers before ordering the materials, the cost of which is included in the cost of Adjusting Drainage Scuppers.
2. For scupper locations, see General Plan & Elevation sheets.
3. For additional notes and Bill of Material, see Sheet 118a and 118b
4. All cast iron parts shall be grey iron conforming to the requirements of AASHTO M 105, Class 35B.
5. Bolts, anchor studs, washers and nuts shall conform to the requirements of ASTM A 307 and shall be galvanized according to AASHTO M 232.
6. Cast iron parts shall be unfinished.
7. The Contractor shall take appropriate measures to assure the Protective Coat is not applied to the scuppers.
8. Adjusting ring and grates shall be from Neenah or approved equal. Structural steel weldments or equal sections and of the same configuration may be substituted for cast iron. Fillet or full penetration welds may be used for weldments. Details shall be submitted to the Engineer for approval.
9. Provide an 1/8" fillet weld around perimeter of new adjusting ring to secure to existing scupper. Electrode shall be compatible with the existing scupper housing material.



**SECTION A-A**



**SECTION B-B**

**DRAINAGE SCUPPER DETAILS**

**DRAINAGE SCUPPER ADJUSTMENT DETAILS**

F.A.I. 94/ (EDENS EXPRESSWAY)

OVER NORTH BRANCH

COOK COUNTY

STATION 23+63.00

STRUCTURE NO. 016-0107

DESIGNED	-	JSD
CHECKED	-	DWH
DRAWN	-	JW
CHECKED	-	DWH

**LOCHNER**  
H.W. LOCHNER, INC., CHICAGO, ILLINOIS