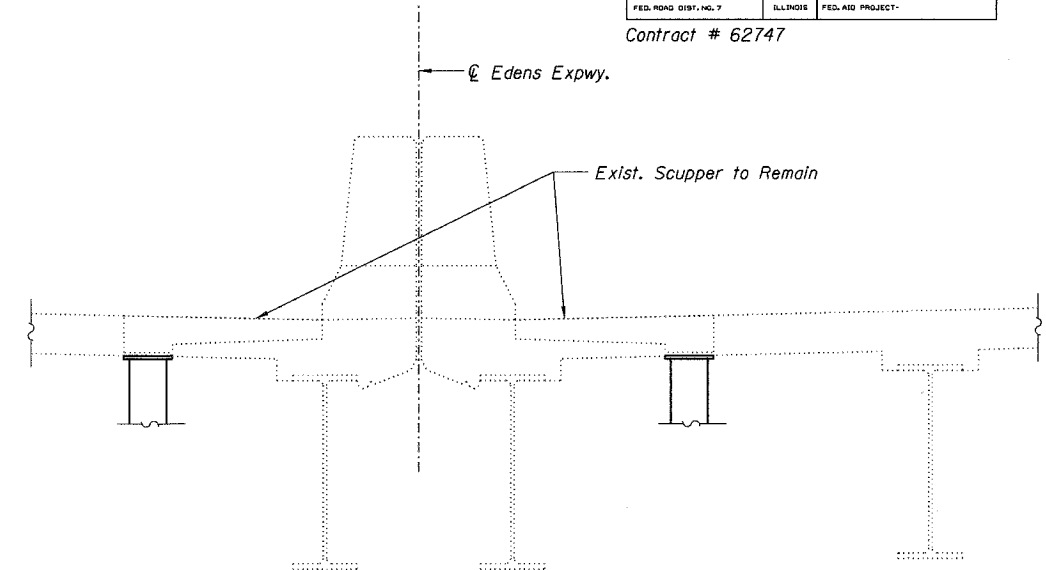
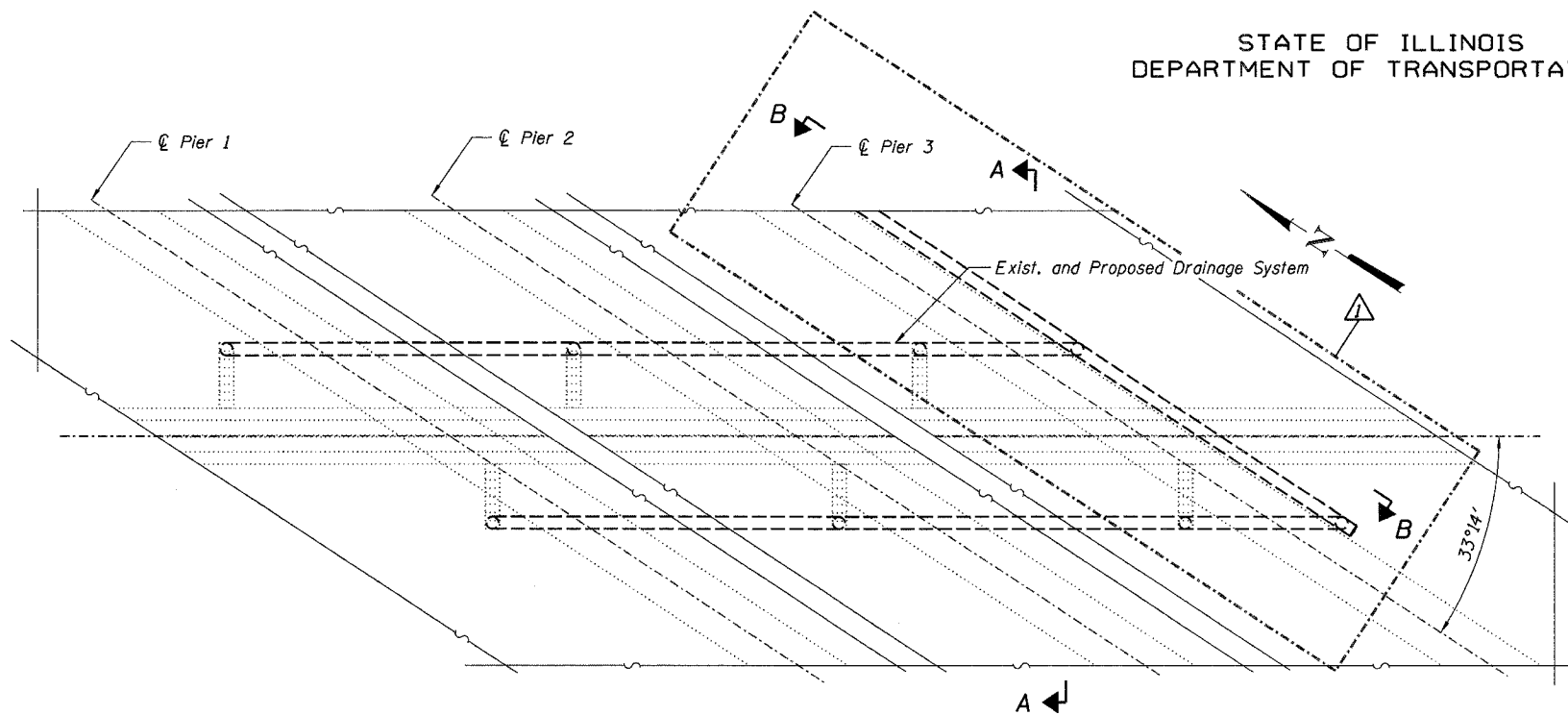


STATE OF ILLINOIS
DEPARTMENT OF TRANSPORTATION

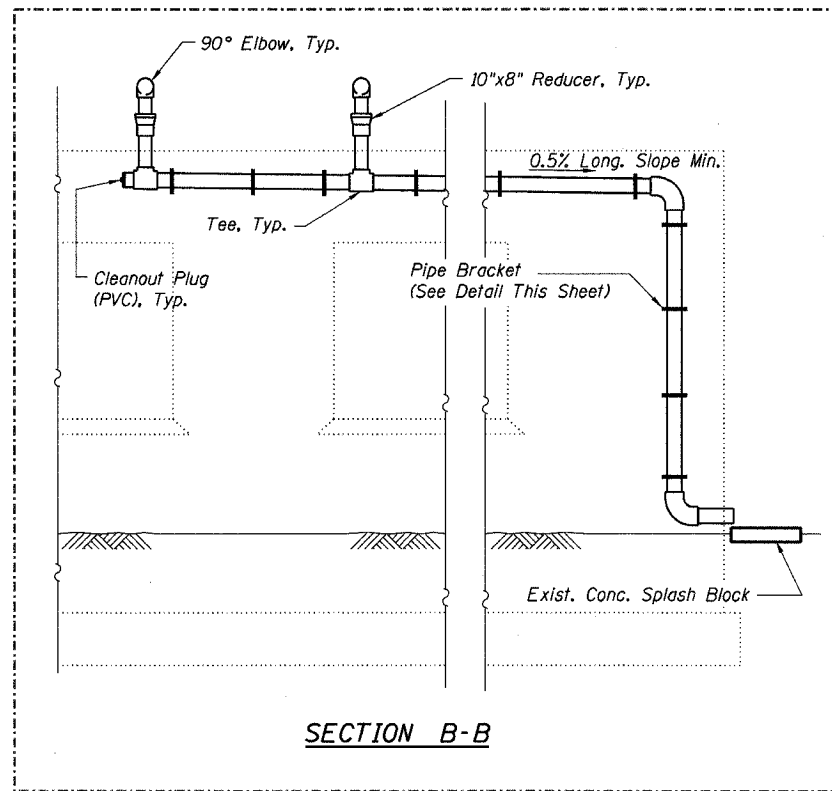
ROUTE NO.	SECTION	COUNTY	SHEET NO.	TOTAL SHEETS
F.A.I. 94	2006-043	COOK	135	131
	RS			
FED. ROAD DIST. NO. 7	ILLINOIS	FED. AID PROJECT		

Contract # 62747

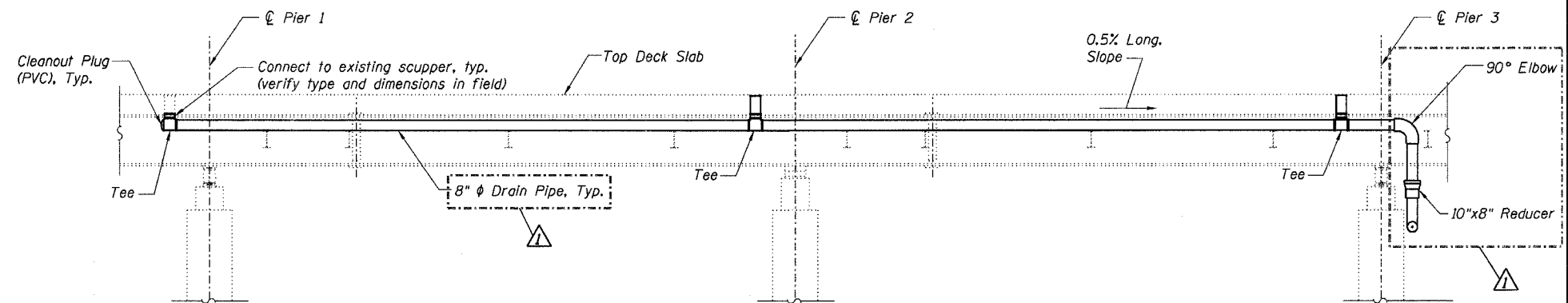


SECTION A-A

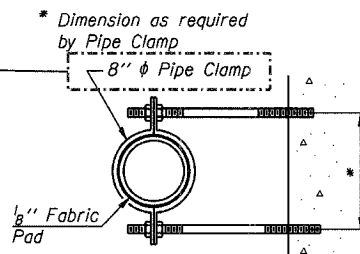
PLAN



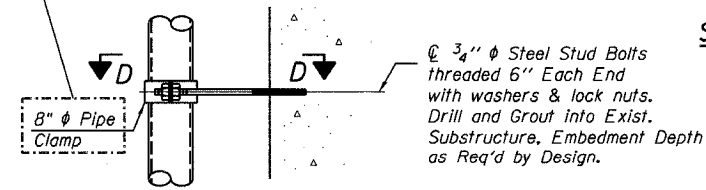
SECTION B-B



ELEVATION



SECTION D-D



PIPE BRACKET DETAIL

BILL OF MATERIAL

Item	Unit	Total
Drainage System	L. Sum	1

NOTES

1. Remove and dispose of existing Drainage System, cost included with "Drainage System".
- 2.
3. Provide structural support from existing conc. structure for drain pipe per manufacturer's recommendation not to exceed 6' ctrs., cost included with "Drainage System".

DRAINAGE SYSTEM DETAILS
F.A.I. 94/ (EDENS EXPRESSWAY)
OVER CICERO AVE.
COOK COUNTY
STATION 29+14.49
STRUCTURE NO. 016-0108

Revised 07/13/2007

DESIGNED -	JSD
CHECKED -	DWH
DRAWN -	JW
CHECKED -	DWH

LOCHNER
H.W. LOCHNER, INC., CHICAGO, ILLINOIS

T:\2298\struct\dgn\01080RA00.dgn