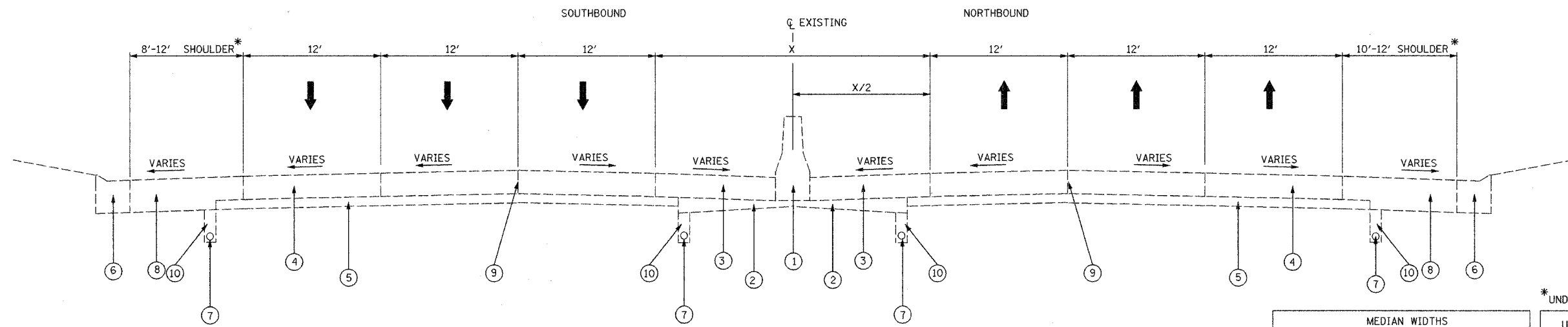


F.A.I. RTE.	SECTION	COUNTY	TOTAL SHEETS	SHEET NO.
94	2006-043 RS	COOK	135	7
STA. 83+05.24 S		TO STA. 62+40 S		
FED. ROAD DIST. NO. 1		ILLINOIS FED. AID PROJECT		



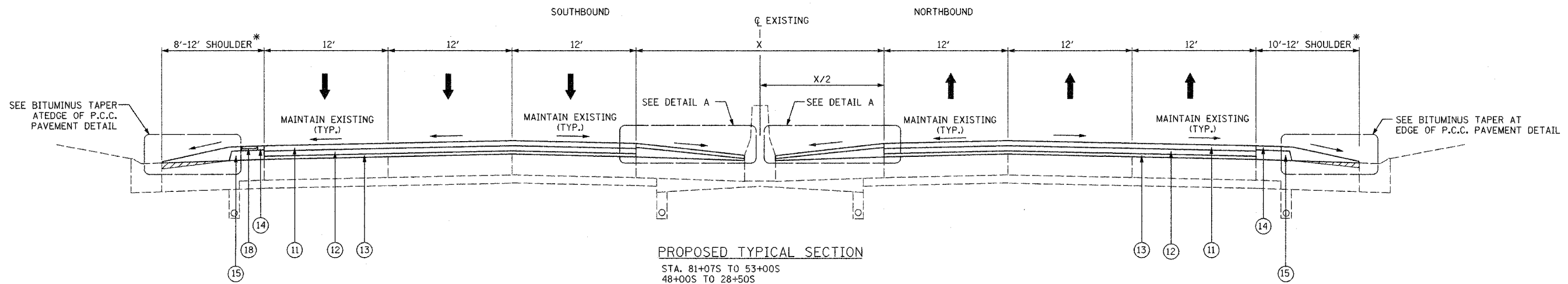
EXISTING TYPICAL SECTION

STA. 81+07S TO 53+00S
 48+00S TO 28+50S
 27+30S TO 16+60S
 48+00 TO 62+40

MEDIAN WIDTHS	
LOCATION	X
86+00S TO 82+36S	12'
82+36S TO 79+85S	12' TO 15'
79+85S TO 73+48S	15'
73+49S TO 69+46S	15' TO 12'
69+46S TO 14+29	12'
14+29 TO 26+67	12' TO 25'
26+67 TO 297+16.87	25'

*UNDERPASS SHOULDER WIDTHS NOT INCLUDED

UNDERPASS SHOULDER WIDTHS		
LOCATION	WIDTH	
	NB	SB
C&NW RR	10'	5'
ELSTON AVE	10.5'	10'
FOSTER AVE	10.5'	10'
FOREST PRESERVE DR	3'	10'
PRATT AVE.	9'	9'



PROPOSED TYPICAL SECTION

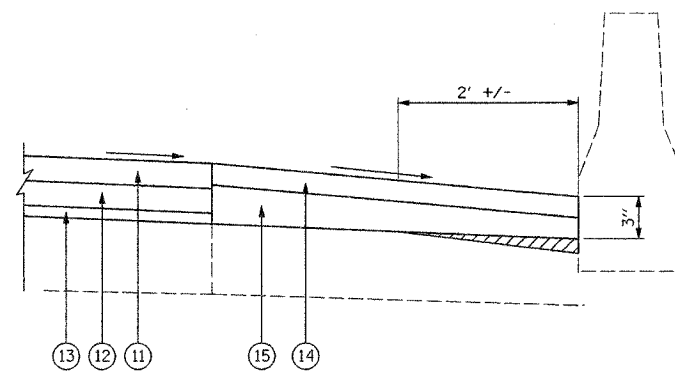
STA. 81+07S TO 53+00S
 48+00S TO 28+50S
 27+30S TO 16+60S
 48+00 TO 62+40

EXISTING LEGEND:

- ① EXISTING CONCRETE BARRIER
- ② EXISTING GRANULAR SUB-BASE
- ③ EXISTING BITUMINOUS SHOULDERS
- ④ EXISTING P.C.C. PAVEMENT, 10"
- ⑤ EXISTING SUB-BASE
- ⑥ EXISTING CONC. GUTTER TYPE-E OR COMB. CONC. C. & G. TY. M-6.24
- ⑦ EXISTING PIPE UNDERDRAIN
- ⑧ EXISTING BITUMINOUS SHOULDER, 13"
- ⑨ LONGITUDINAL JOINT
- ⑩ BACKFILL FOR UNDERDRAIN

PROPOSED LEGEND:

- ⑪ POLYMERIZED HOT-MIX ASPHALT SURFACE COURSE, STONE MATRIX ASPHALT, N80, 1-3/4"
- ⑫ POLYMERIZED HOT-MIX ASPHALT BINDER COURSE, STONE MATRIX ASPHALT, N80, 1-3/4"
- ⑬ POLYMERIZED LEVELING BINDER (MACHINE METHOD), IL-4.75, N50, 3/4"
- ⑭ HOT-MIX ASPHALT SURFACE COURSE, MIX "D", N70, 1-3/4"
- ⑮ HOT-MIX ASPHALT BINDER COURSE, IL-16, N70, VARIES 2-1/4" TO 2-3/4"
- ⑯ PROPOSED BARRIER WALL REFLECTORS, TYPE A
- ⑰ PROPOSED AGGREGATE SHOULDER, TYPE B
- ⑱ PROPOSED RUMBLE STRIPS



DETAIL A
N.T.S.

REVISIONS	
NAME	DATE

ILLINOIS DEPARTMENT OF TRANSPORTATION
 EXISTING AND PROPOSED
 TYPICAL SECTIONS
 F.A.I. 94 (I-94)

SCALE: N.T.S.
 DATE: MAY 2007

DRAWN BY JW
 CHECKED BY