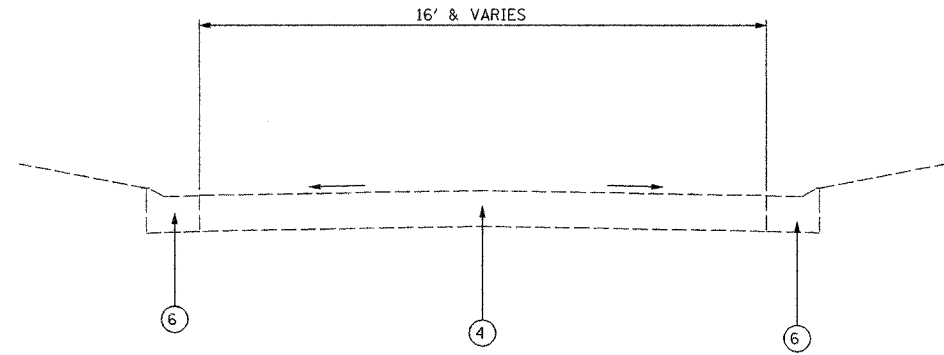
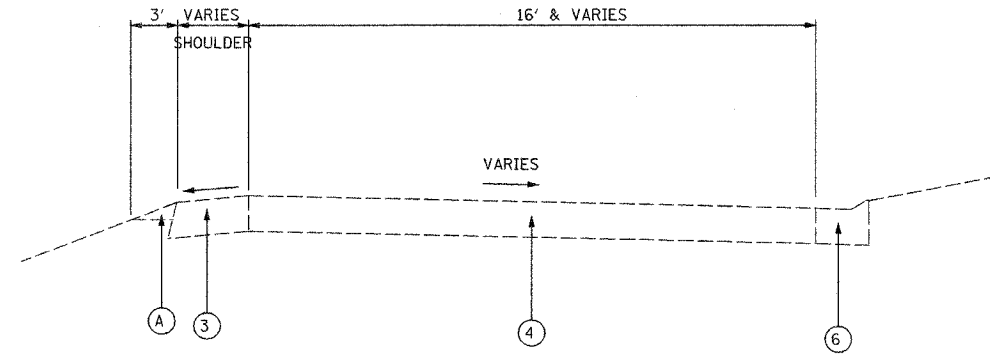


F.A.I. RTE.	SECTION	COUNTY	TOTAL SHEETS	SHEET NO.
94	2006-043 RS	COOK	135	12
STA.		TO STA.		
FED. ROAD DIST. NO. 1		ILLINOIS	FED. AID PROJECT	

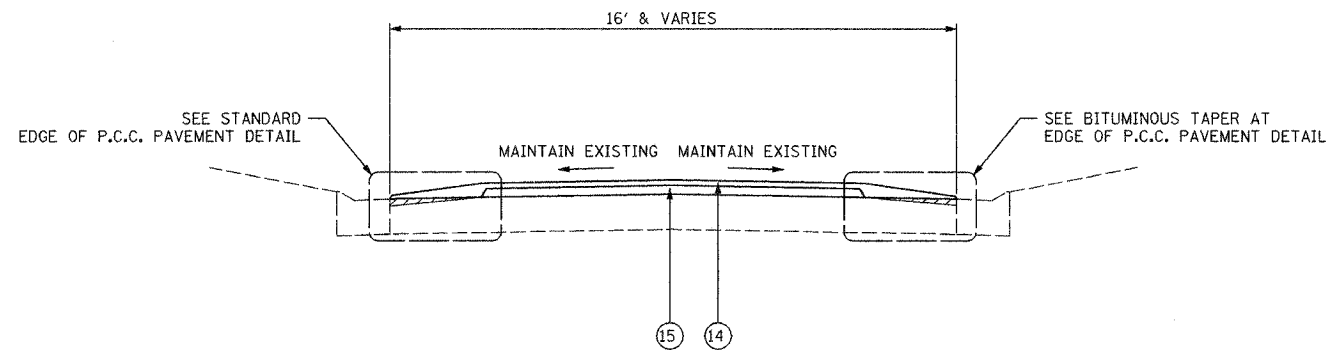


EXISTING TYPICAL SECTION AT RAMPS

NB & SB TOUHY AVE. RAMPS
 NB & SB DEMPSTER AVE. RAMPS
 SB OLD ORCHARD RD. RAMPS
 NB OLD ORCHARD RD. EXIT RAMP
 SB CALDWELL AVE. EXIT RAMP
 SB CALDWELL AVE. ENTRANCE RAMP (NORTH OF BRIDGE)

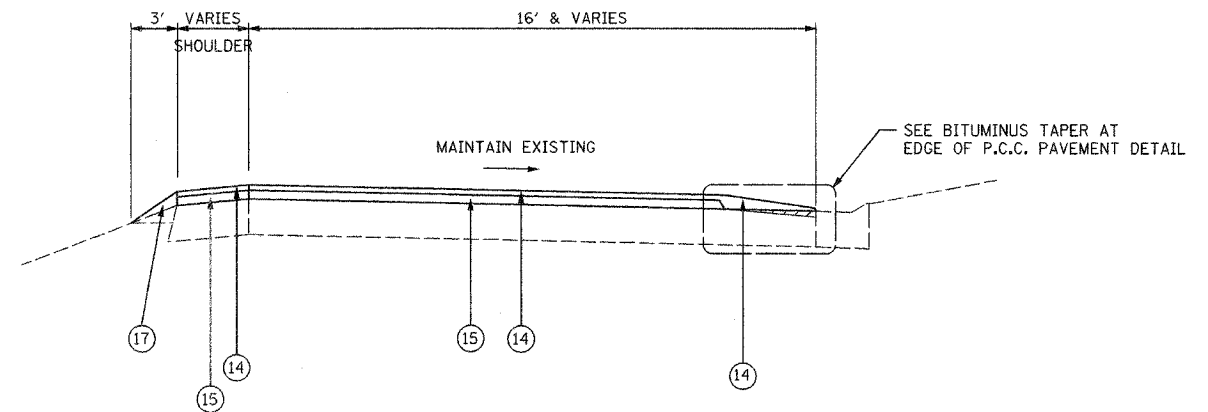


EXISTING TYPICAL SECTION AT RAMPS
 NB FOSTER AVE RAMPS



PROPOSED TYPICAL SECTION AT RAMPS

NB & SB TOUHY AVE. RAMPS
 NB & SB DEMPSTER AVE. RAMPS
 NB OLD ORCHARD RD. EXIT RAMP
 SB OLD ORCHARD RD. RAMPS
 SB CALDWELL AVE. EXIT RAMP
 SB CALDWELL AVE. ENTRANCE RAMP (NORTH OF BRIDGE)



PROPOSED TYPICAL SECTION AT RAMPS
 NB FOSTER AVE RAMPS

EXISTING LEGEND:

- ① EXISTING CONCRETE BARRIER
- ② EXISTING GRANULAR SUB-BASE
- ③ EXISTING BITUMINOUS SHOULDERS
- ④ EXISTING P.C.C. PAVEMENT, 10"
- ⑤ EXISTING SUB-BASE
- ⑥ EXISTING CONC. GUTTER TYPE-E OR COMB. CONC. C. & G. TY. M-6.24
- ⑦ EXISTING PIPE UNDERDRAIN
- ⑧ EXISTING BITUMINOUS SHOULDER, 13"
- ⑨ LONGITUDINAL JOINT
- ⑩ BACKFILL FOR UNDERDRAIN
- Ⓐ EXISTING AGGREGATE SHOULDER

PROPOSED LEGEND:

- ⑪ POLYMERIZED HOT-MIX ASPHALT SURFACE COURSE, STONE MATRIX ASPHALT, N80, 1-3/4"
- ⑫ POLYMERIZED HOT-MIX ASPHALT BINDER COURSE, STONE MATRIX ASPHALT, N80, 1-3/4"
- ⑬ POLYMERIZED LEVELING BINDER (MACHINE METHOD), IL-4.75, N50, 3/4"
- ⑭ HOT-MIX ASPHALT SURFACE COURSE, MIX "D", N70, 1-3/4"
- ⑮ HOT-MIX ASPHALT BINDER COURSE, IL-16, N70, VARIES 2-1/4" TO 2-3/4"
- ⑯ PROPOSED BARRIER WALL REFLECTORS, TYPE A
- ⑰ PROPOSED AGGREGATE SHOULDER, TYPE B

PLT DATE = 05/02/2007
 FILE NAME = 05/02/07
 PLOT SCALE = 1/8"=1'-0"
 USER NAME = dcfout

REVISIONS	
NAME	DATE

ILLINOIS DEPARTMENT OF TRANSPORTATION
 EXISTING AND PROPOSED
 TYPICAL SECTIONS
 F.A.I. 94 (I-94)

SCALE: DATE MAY 2007 DRAWN BY CHECKED BY