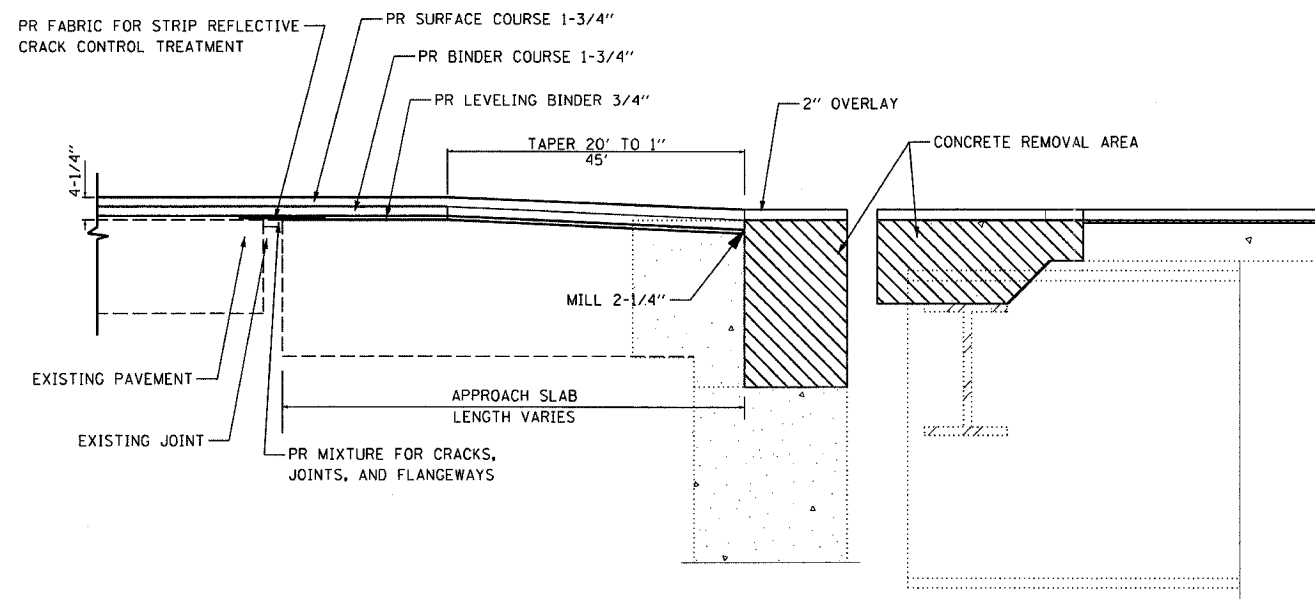
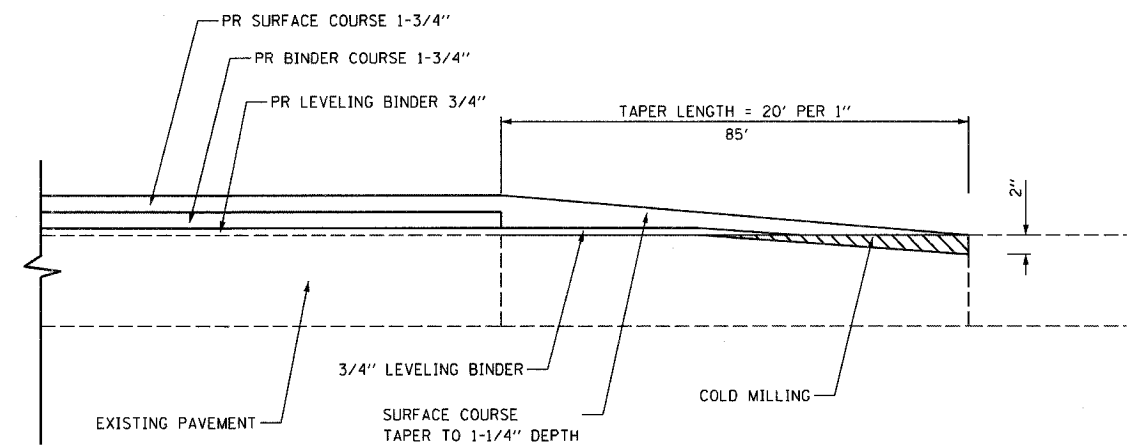


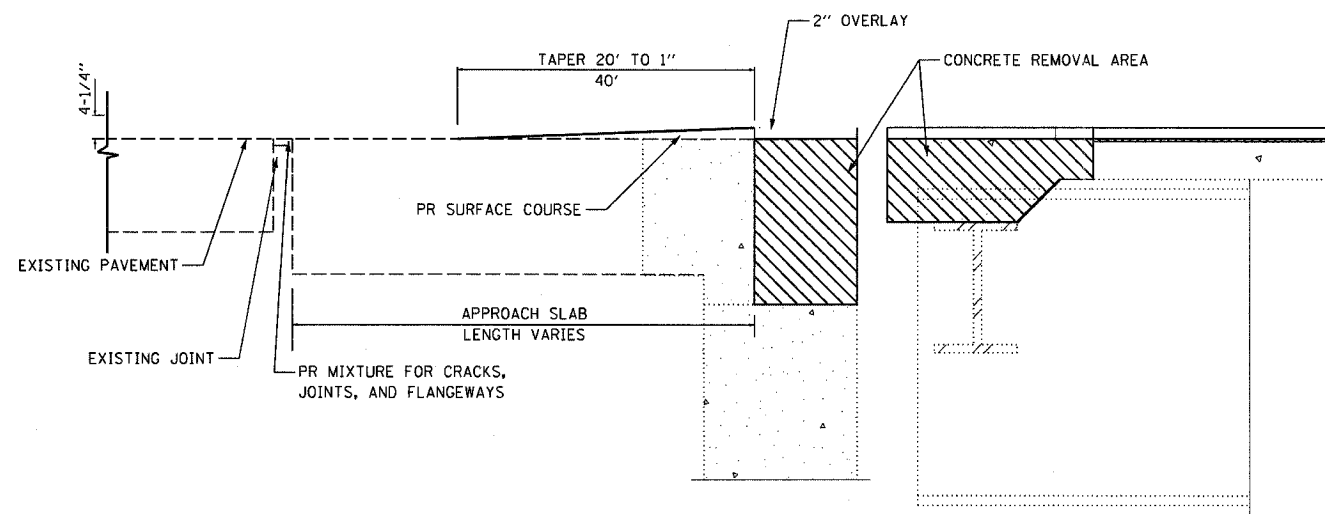
| CONTRACT NO. 62747 | | | | |
|---|-------------|---------|--------------|-----------|
| F.A.I. RTE. | SECTION | COUNTY | TOTAL SHEETS | SHEET NO. |
| 94 | 2006-043 RS | COOK | 135 | 66 |
| STA. | | TO STA. | | |
| FED. ROAD DIST. NO. 1 ILLINOIS FED. AID PROJECT | | | | |



**RESURFACING TRANSITION DETAIL
ROADWAY TO BRIDGE JOINT
(NTS)**



**BUTT JOINT DETAIL
HMA TO PCC
MAINLINE TRANSITION**



**TEMPORARY WEDGE DETAIL
BRIDGE JOINT TO ROADWAY
(NTS)**

PLOT DATE = 6/18/2007
FILE NAME = H1E1E1
PLOT SCALE = HSCALE
USER NAME = DBT/OUT

| REVISIONS | | ILLINOIS DEPARTMENT OF TRANSPORTATION |
|----------------|------|--|
| NAME | DATE | |
| | | RESURFACING TRANSITION DETAILS ROADWAY TO BRIDGE JOINT & HMA TO PCC BUTT JOINT |
| | | |
| | | |
| | | |
| | | |
| | | |
| | | |
| | | |
| | | |
| | | |
| SCALE: | | DRAWN BY |
| DATE JUNE 2007 | | CHECKED BY |

Edens I 94 Resurfacing Project