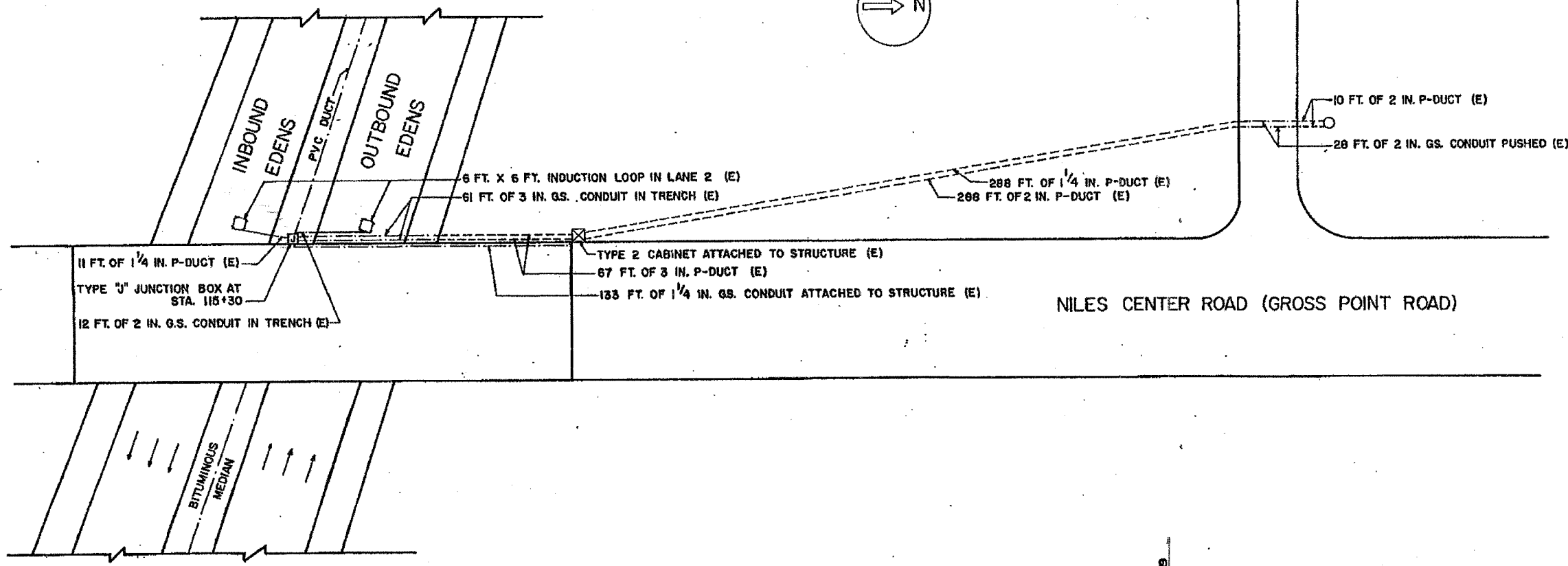
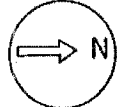
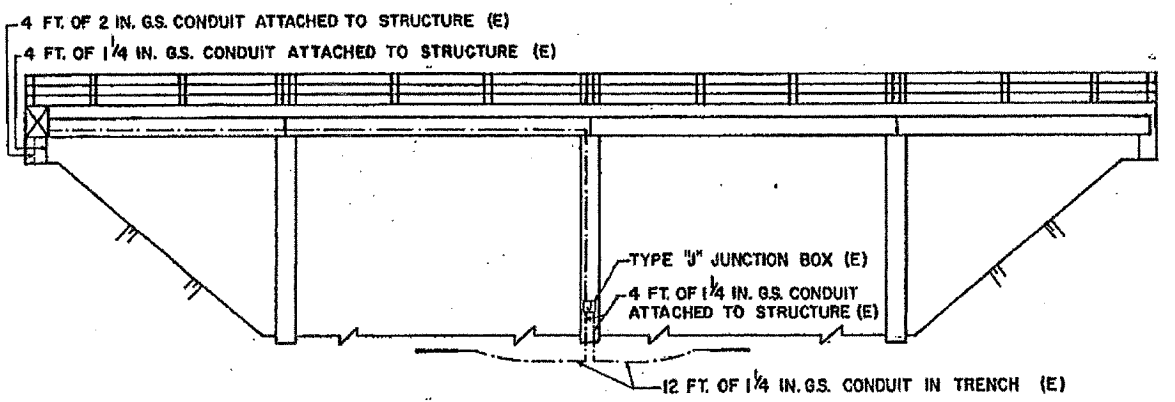


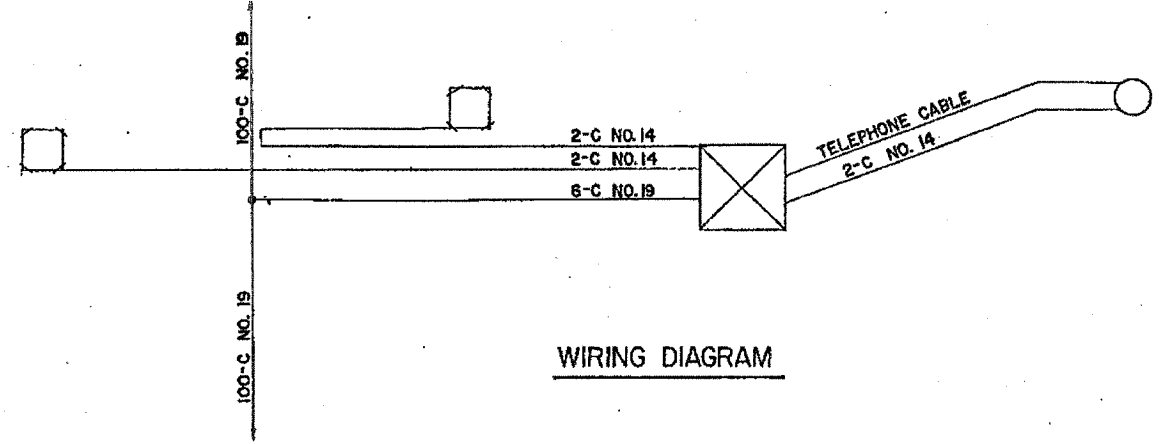
SECTION	COUNTY	TOTAL SHEETS	SHEET NO.
		135	81
STA. TO STA.		FED. AID PROJECT	
		62747	



NILES CENTER ROAD (GROSS POINT ROAD)



NORTH ELEVATION



WIRING DIAGRAM

LEGEND

- INDUCTION LOOP
- ▣ CABINET
- ⊞ JUNCTION BOX
- ⊙ PULL POINT
- SERVICE INSTALLATION
- ⊕ HANDHOLE
- ⊕ HEAVY DUTY HANDHOLE
- POLYETHYLENE DUCT
- CONDUIT
- X-X- FENCE
- GUARDRAIL
- △ FLASHER
- METERING SIGNAL LIGHT
- EXISTING LIGHT STANDARD
- (E) EXISTING FACILITIES

FOR INFORMATION ONLY

REVISIONS	
NAME	DATE

ILLINOIS DEPARTMENT OF TRANSPORTATION

NILES CENTER ROAD
INSTALLATION

SCALE: VERT. DRAWN BY
 HORIZ. CHECKED BY
 DATE