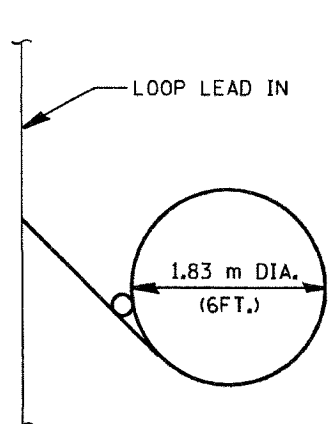
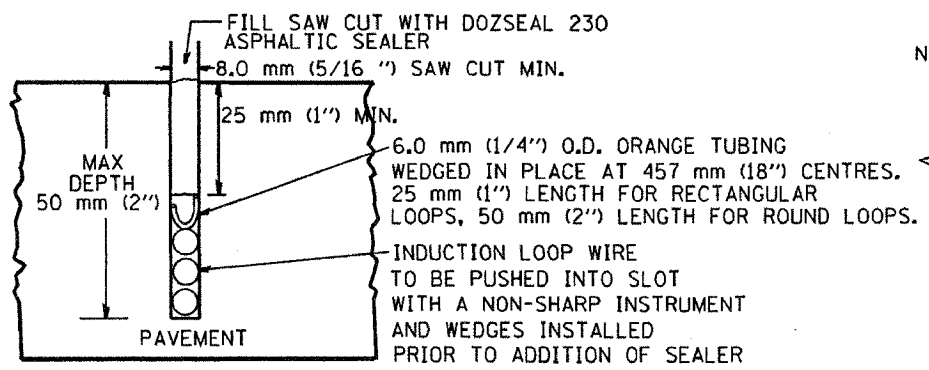
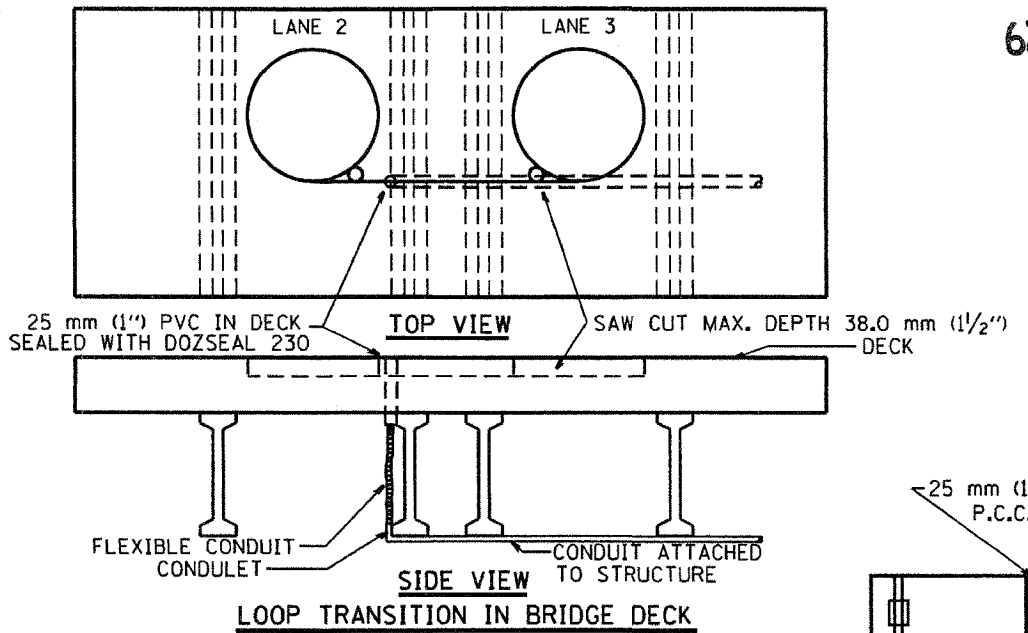
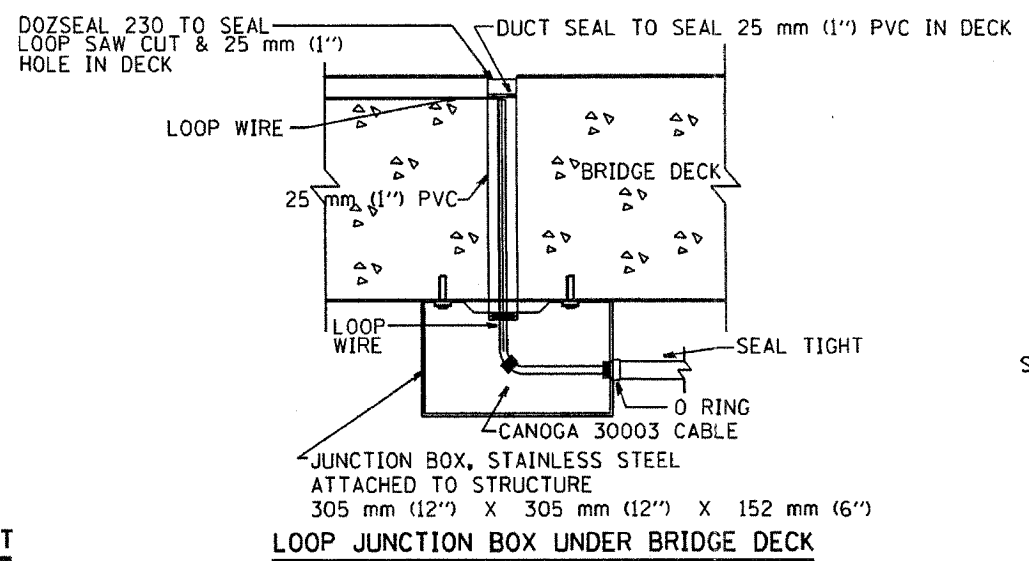


F.A. RTE.	SECTION	COUNTY	TOTAL SHEETS NO.
			135/93
STA.	TO STA.		
FED. ROAD DIST. NO.	ILLINOIS FED. AID PROJECT		

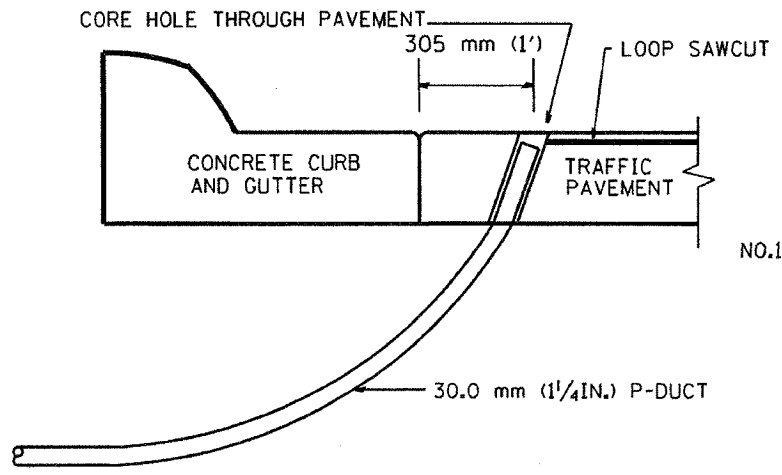
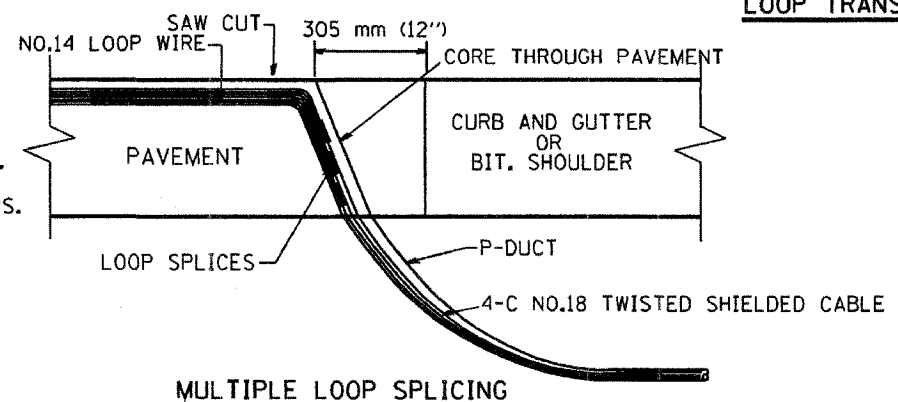
62747



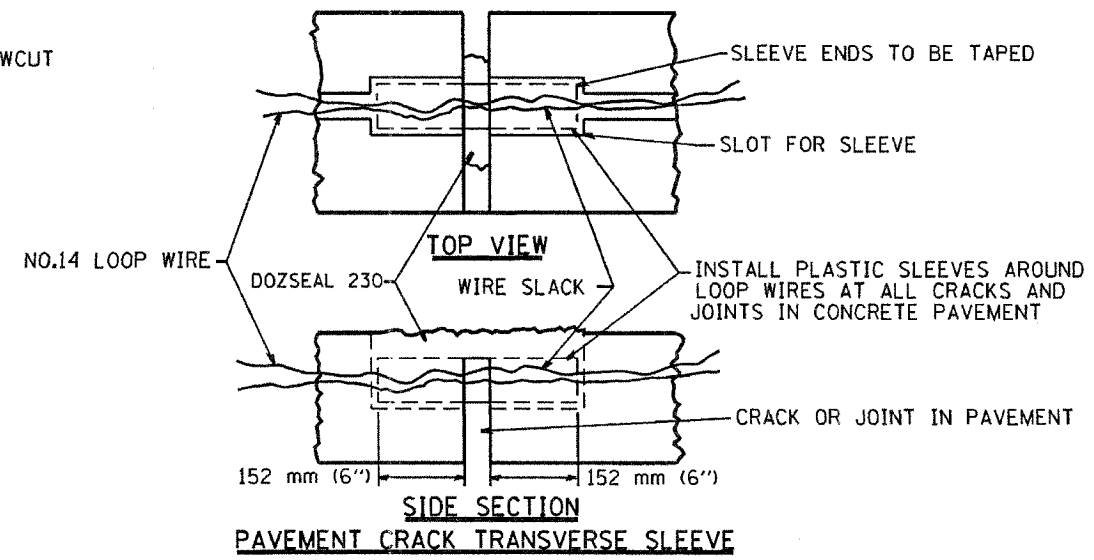
TYPICAL LOOP SAWCUT LAYOUT



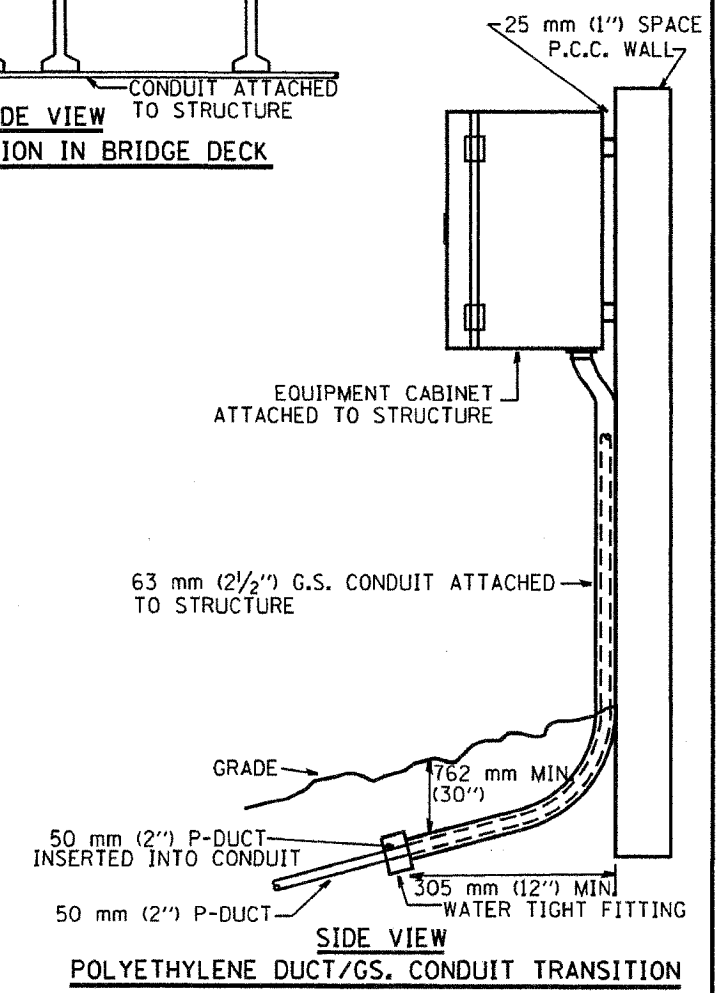
LOOP CROSS SECTION IN PAVEMENT



SIDE SECTION LOOP LEAD-IN TRANSITION DETAIL



SIDE SECTION PAVEMENT CRACK TRANSVERSE SLEEVE



REVISIONS	
NAME	DATE
R.L.	6/94
R.L.	3/95
T.C.	11/95
R.L.	05/96
T.C.	10/96

ILLINOIS DEPARTMENT OF TRANSPORTATION  
TRAFFIC SYSTEMS CENTER  
**LOOP, CONDUIT & DUCT  
INSTALLATION DETAILS**  
SCALE: VERT. NONE  
DATE 6-22-94  
DRAWN BY G.W.  
CHECKED BY R.L.

RD-TYPNET.DOC  
R1

V14184