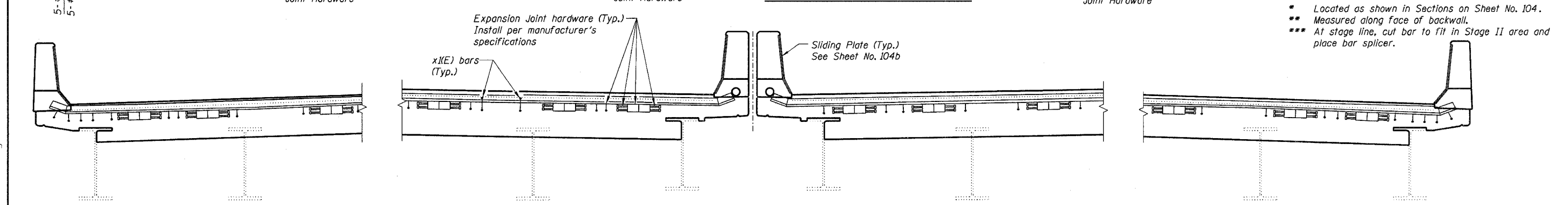
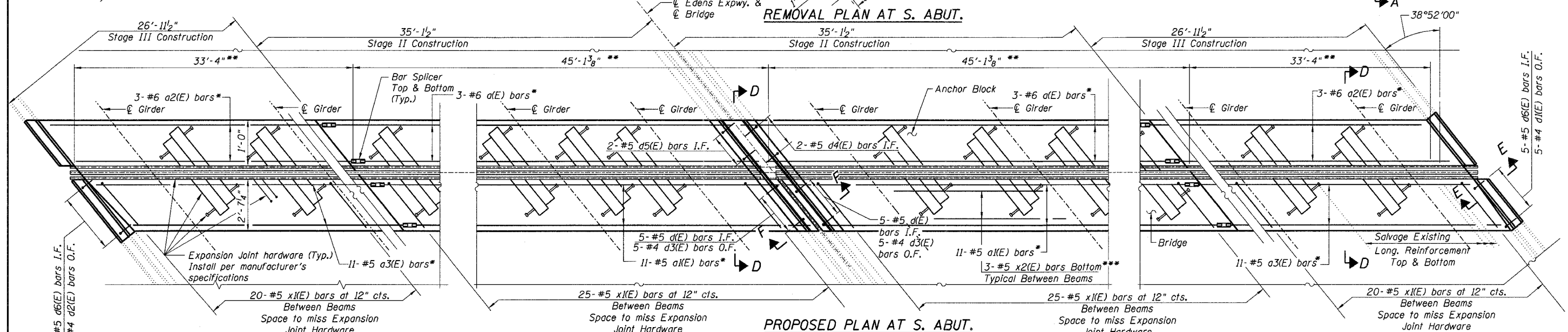
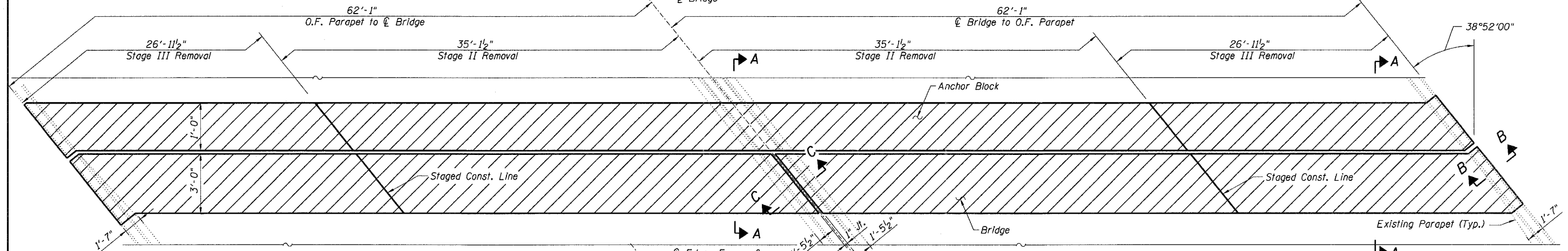


STATE OF ILLINOIS
DEPARTMENT OF TRANSPORTATION

ROUTE NO.	SECTION	COUNTY	POST MILE	SHEET
F.A.I. 94	2006-043 RS	COOK	135	103
FED. ROAD DIST. NO. 7		ILLINOIS	FED. AID PROJECT	

Contract # 62747



- * Located as shown in Sections on Sheet No. 104.
- ** Measured along face of backwall.
- *** At stage line, cut bar to fit in Stage II area and place bar splicer.

DESIGNED	JSD
CHECKED	AMK
DRAWN	JSD
CHECKED	AMK

LEGEND

Concrete Removal

LOCHNER
H.W. LOCHNER, INC., CHICAGO, ILLINOIS

- NOTES**
- All Reinforcement Bars are to be spaced evenly unless otherwise noted.
 - Work this sheet with Sheet No. 104.
 - Reinforcement bars designated (E) shall be epoxy coated.
 - Existing Reinforcement Bars shown are to be cleaned and incorporated into new construction.
 - O.F. denotes Outside Face; I.F. denotes Inside Face.
 - Modular Joint shall be installed parallel to the ϕ of bearing and back of abutment.
 - Modular Expansion Joint details are based on D.S. Brown DS-160 Expansion Joint System. Contractor has the option of choosing a competitive product. Contractor shall submit plans showing any changes to dimension to the Engineer for approval.
 - For Bill of Material and bar details see Sheet No. 104a.
 - Stage I does not include any bridge work.
 - See Sheet No. 104a for additional abutment backwall demolition and reconstruction.

SOUTH EXPANSION JOINT REMOVAL & REPLACEMENT PLAN
F.A.I. 94/ (EDENS EXPRESSWAY)
OVER U.P.R.R.
COOK COUNTY
STATION 277+05.05
STRUCTURE NO. 016-0103 & 016-0104

I:\2298\struct\dgn\0103EXP02.dgn