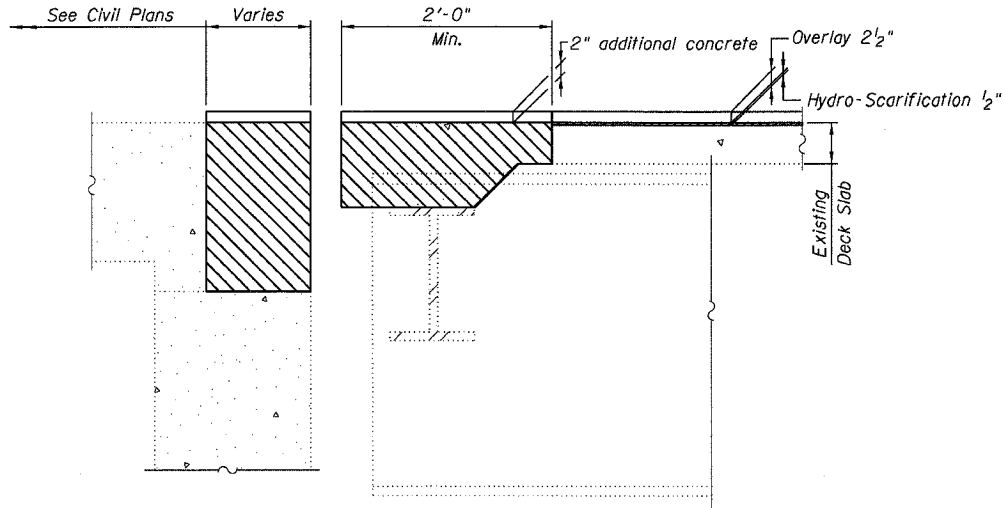


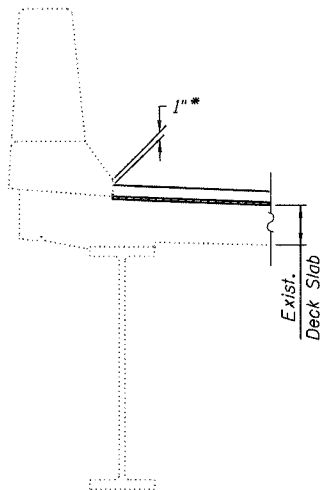
STATE OF ILLINOIS
DEPARTMENT OF TRANSPORTATION

ROUTE NO.	SECTION	COUNTY	SHEET NO.	TOTAL SHEETS
F.A.I. 94	2006-043 RS	COOK	135	104e
FED. ROAD DIST. NO. 7		ILLINOIS	FED. AID PROJECT	

Contract # 62747



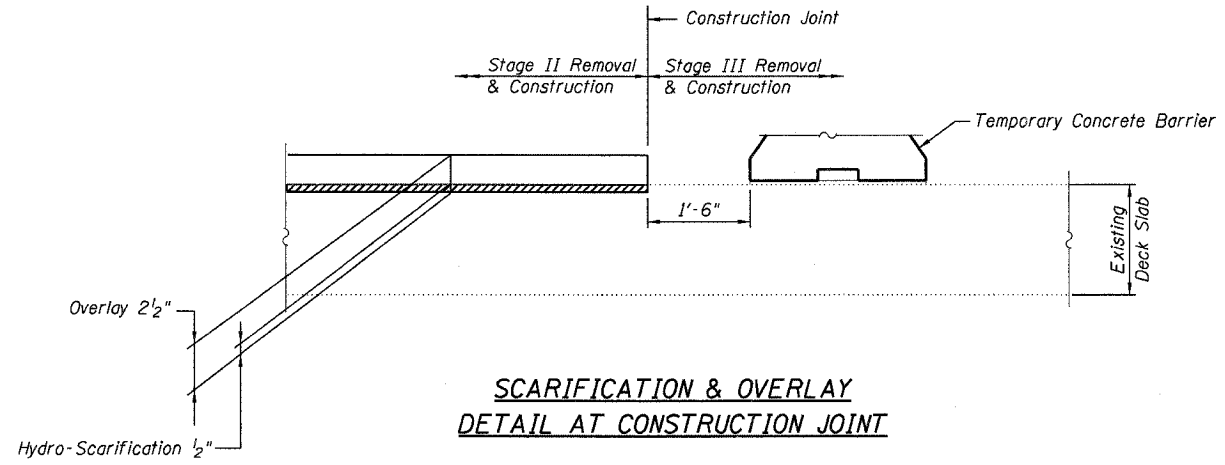
SCARIFICATION & OVERLAY DETAIL AT ABUTMENT



* Contractor shall increase hydro-scarification thickness or reduce overlay thickness as directed by the Engineer to ensure that this dimension is not less than 0".

SCARIFICATION & OVERLAY DETAIL AT PARAPET

(Applies only to areas outside the joint removal area.)


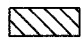


SCARIFICATION & OVERLAY DETAIL AT CONSTRUCTION JOINT

NOTE

If additional hydro-scarification is required to maintain the dimension shown in the Scarification & Overlay Detail at Parapet, it shall be included in the cost for Bridge Deck Hydro-Scarification 1/2".

LEGEND

-  Hydro-Scarification
-  Concrete Removal

DESIGNED -	JSD
CHECKED -	DWH
DRAWN -	JSD
CHECKED -	DWH

LOCHNER
H.W. LOCHNER, INC., CHICAGO, ILLINOIS

SCARIFICATION AND OVERLAY DETAILS
F.A.I. 94/ (EDENS EXPRESSWAY)
OVER U.P.R.R.
COOK COUNTY
STATION 277+05.05
STRUCTURE NO. 016-0103 & 016-0104

T:\2298\struct\dgn\01030104.dgn