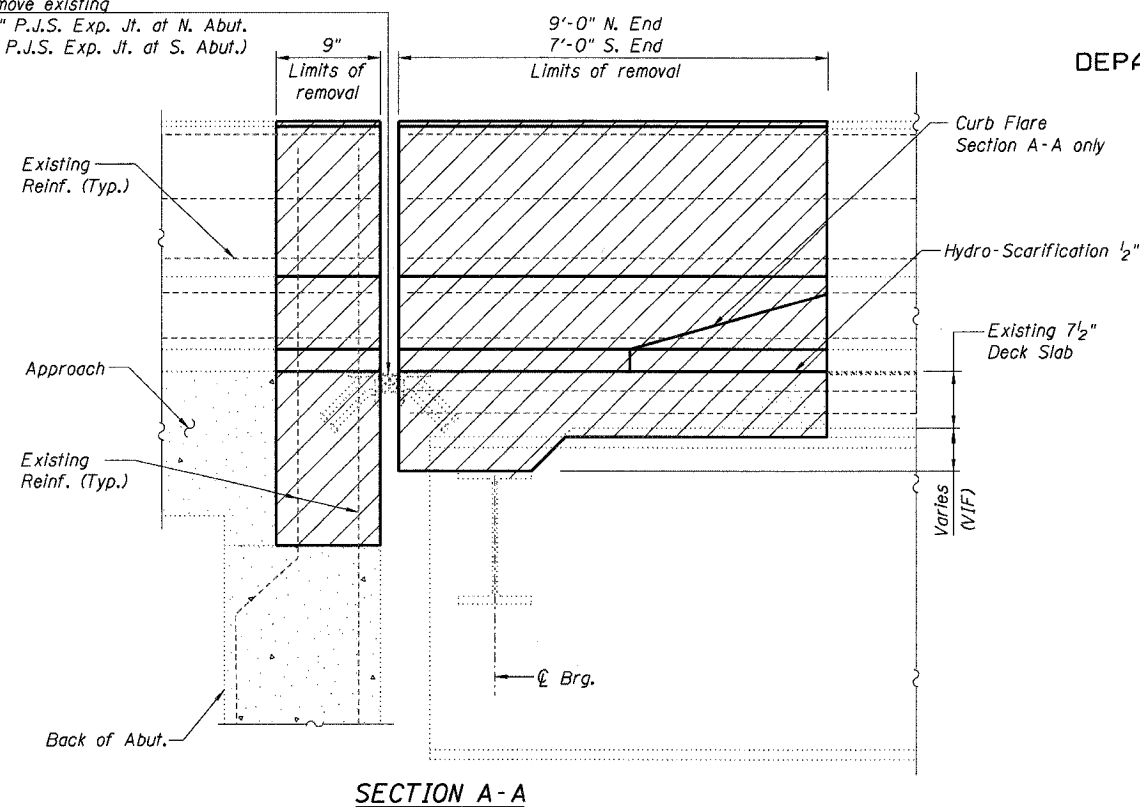


STATE OF ILLINOIS
DEPARTMENT OF TRANSPORTATION

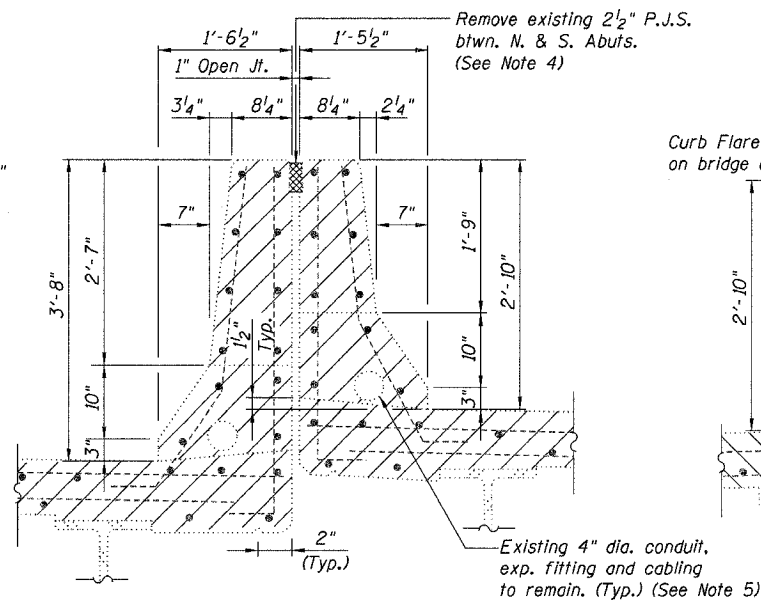
ROUTE NO.	SECTION	COUNTY	SHEET NO.	TOTAL SHEETS
F.A.I. 94	2006-043 RS	COOK	135	109
FED. ROAD DIST. NO. 7		ILLINOIS	FED. AID PROJECT	

Contract # 62747

Remove existing
2 1/2" P.J.S. Exp. Jt. at N. Abut.
(4" P.J.S. Exp. Jt. at S. Abut.)



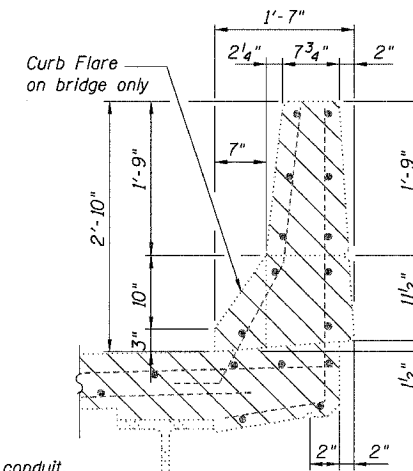
SECTION A-A



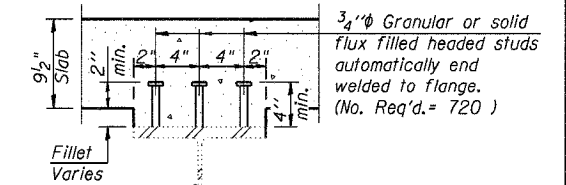
SB MEDIAN PARAPET

NB MEDIAN PARAPET

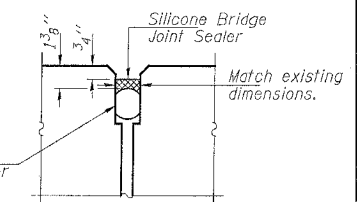
SECTION C-C



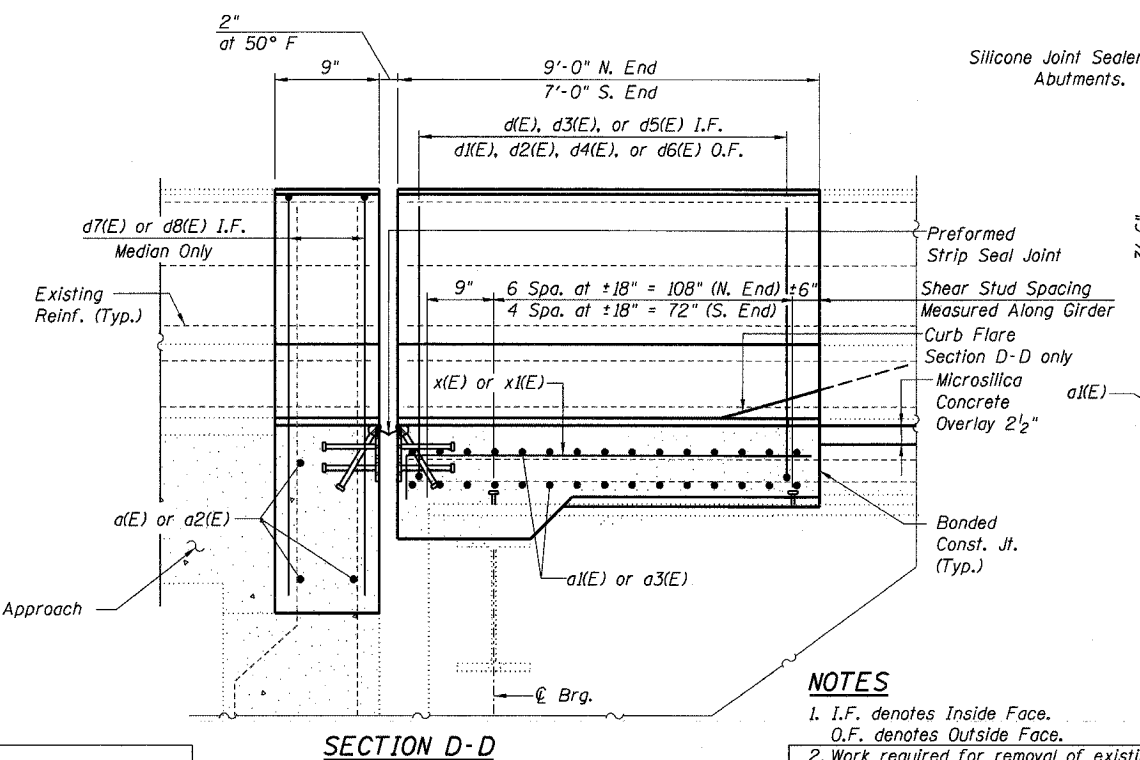
SECTION B-B



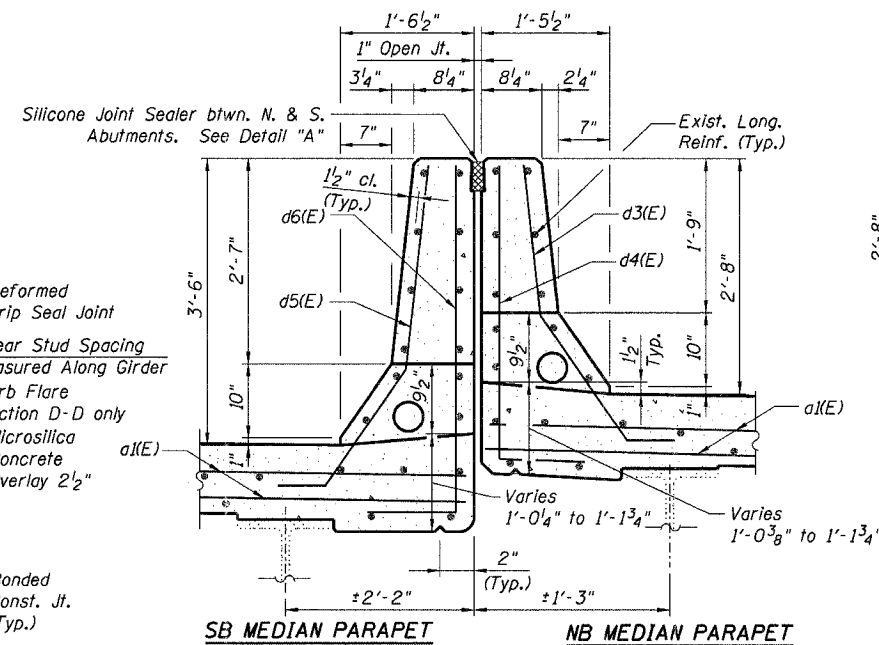
SECTION THRU BEAM



DETAIL "A"



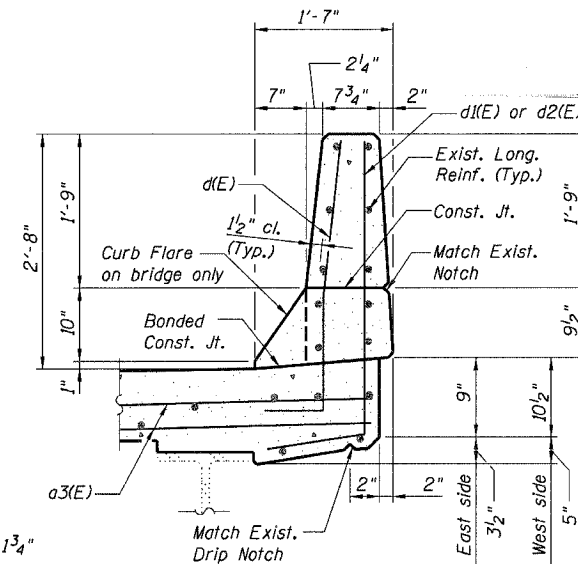
SECTION D-D



SB MEDIAN PARAPET

NB MEDIAN PARAPET

SECTION F-F



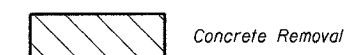
SECTION E-E

NOTES

1. I.F. denotes Inside Face. O.F. denotes Outside Face.
2. Work required for removal of existing expansion joint shall be included in the cost of Concrete Removal.
3. Work this sheet with Sheet No. 108
4. Work required for removal of existing P.J.S. shall be included in the cost of Silicone Bridge Joint Sealer, 2".

5. The Contractor shall exercise extreme care with the existing conduits in sections of the parapet to be removed and to protect and support the conduit. The Contractor will be required to repair any damage done to the conduit to the satisfaction of the engineer. No splicing will be allowed to any cable damage resulting from this work; Instead the Contractor will be required to replace the entire span of any damaged cable.

LEGEND



Concrete Removal

EXPANSION JOINT REMOVAL &
REPLACEMENT DETAILS
F.A.I. 94/ (EDENS EXPRESSWAY)
OVER GOLF ROAD
COOK COUNTY
STATION 265+65.22
STRUCTURE NO. 016-0105

DESIGNED	GWS
CHECKED	AMK
DRAWN	EF
CHECKED	AMK

LOCHNER
H.W. LOCHNER, INC., CHICAGO, ILLINOIS