

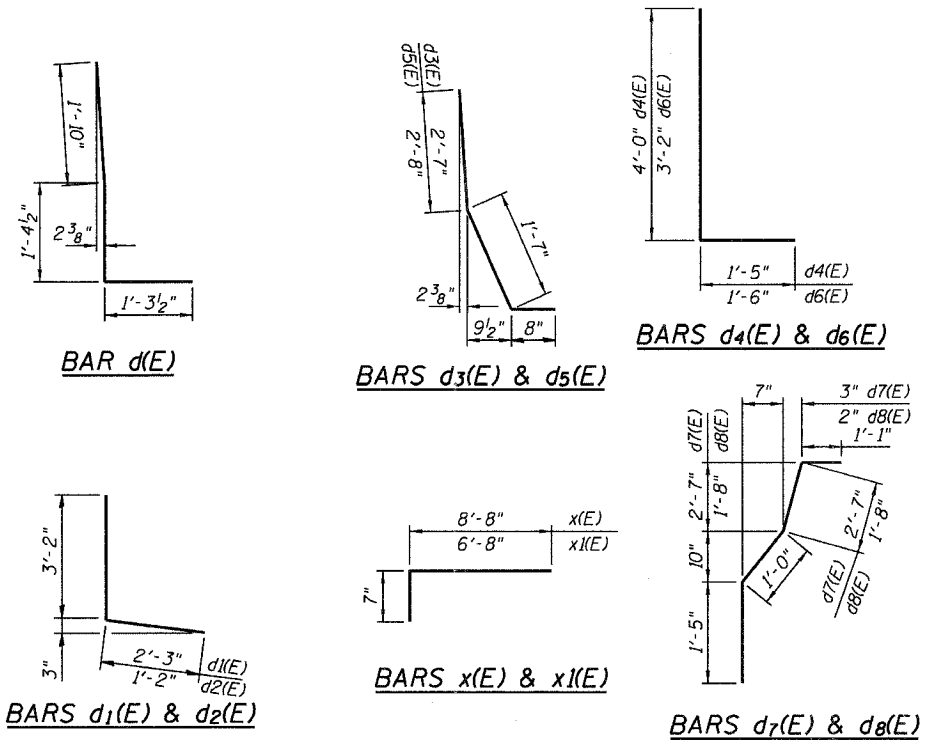
STATE OF ILLINOIS
DEPARTMENT OF TRANSPORTATION

ROUTE NO.	SECTION	COUNTY	SHEET NO.	TOTAL SHEETS
F.A.I. 94	2006-043 RS	COOK	135	109a
FED. ROAD DIST. NO. 7	ILLINOIS		FED. AID PROJECT	

Contract # 62747

**SUPERSTRUCTURE
BILL OF MATERIAL**

Bar	No.	Size	Length	Shape
a(E)	24	#6	21'-2"	—
a1(E)	272	#5	20'-11"	—
a2(E)	24	#6	16'-7"	—
a3(E)	272	#5	16'-4"	—
d(E)	40	#5	4'-6"	L
d1(E)	22	#4	5'-5"	L
d2(E)	18	#4	4'-4"	L
d3(E)	20	#5	4'-10"	┘
d4(E)	20	#4	5'-5"	┘
d5(E)	20	#5	4'-11"	┘
d6(E)	20	#4	4'-8"	┘
d7(E)	4	#5	6'-1"	┘
d8(E)	4	#5	5'-2"	┘
x(E)	120	#5	9'-3"	—
x1(E)	120	#5	7'-3"	—
Concrete Removal			Cu. Yd.	104.7
Concrete Superstructure			Cu. Yd.	115.2
Bridge Deck Grooving			Sq. Yd.	2,329
Protective Coat			Sq. Yd.	267
Reinforcement Bars, Epoxy Coated			Pound	14,700
Silicone Bridge Joint Sealer, 2"			Foot	183



BAR BEND DETAILS

NOTE

Reinforcement bars designated (E) shall be epoxy coated.

**REINFORCING BAR DETAILS &
SUPERSTRUCTURE BILL OF MATERIAL
F.A.I. 94/ (EDENS EXPRESSWAY)
OVER GOLF ROAD
COOK COUNTY
STATION 265+65.22
STRUCTURE NO. 016-0105**

DESIGNED -	JSD
CHECKED -	AMK
DRAWN -	JSD
CHECKED -	AMK

LOCHNER
H.W. LOCHNER, INC., CHICAGO, ILLINOIS

I:\2298\struct\edgn\0105COM06.dgn