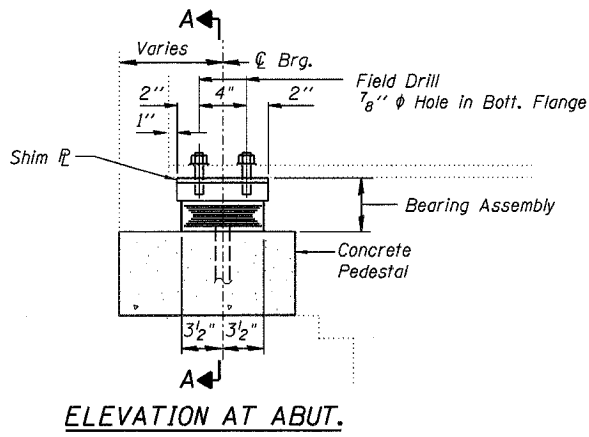


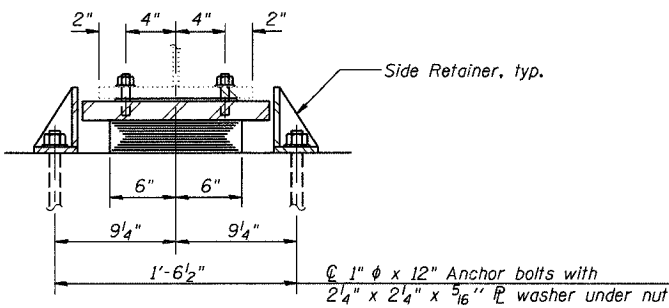
STATE OF ILLINOIS
DEPARTMENT OF TRANSPORTATION

| ROUTE NO. | SECTION | COUNTY | TOTAL SHEETS | SHEET NO. |
|-----------------------|----------|----------|------------------|-----------|
| F.A.I. 94 | 2006-043 | COOK | 135 | 110 |
| FED. ROAD DIST. NO. 7 | | ILLINOIS | FED. AID PROJECT | |

Contract # 62747

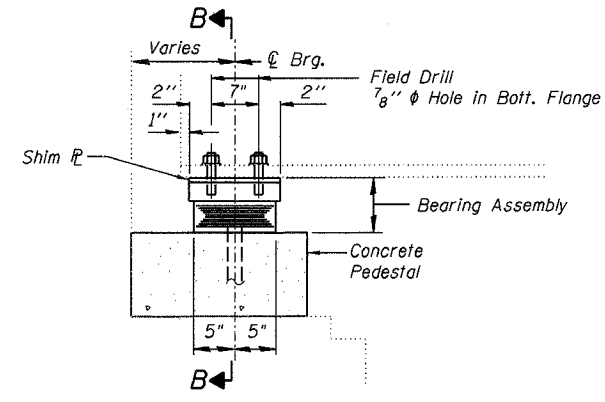


ELEVATION AT ABUT.

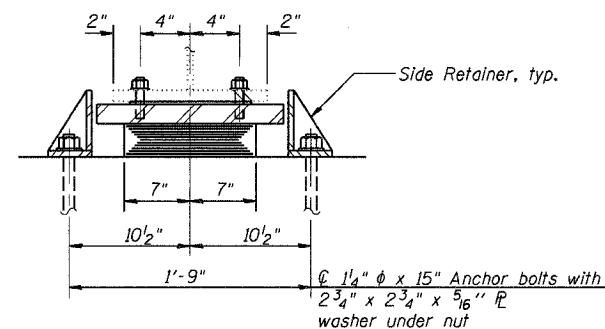


SECTION A-A

TYPE I ELASTOMERIC EXP. BRG.
N. ABUT.

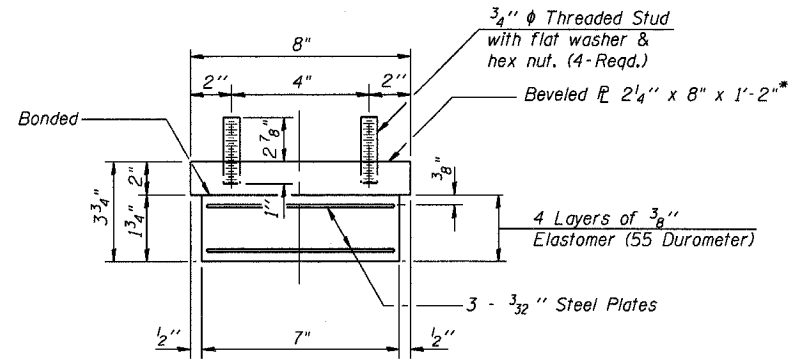


ELEVATION AT ABUT.



SECTION B-B

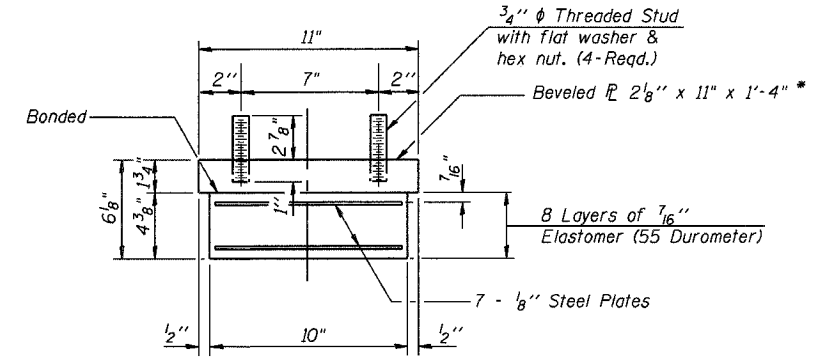
TYPE I ELASTOMERIC EXP. BRG.
S. ABUT.



BEARING ASSEMBLY

Note:
Shim plates shall not be placed under Bearing Assembly.

Notes:
Anchor bolts shall be ASTM F1554 all-thread (or an Engineer-approved alternate material) of the grade(s) and diameter(s) specified. ASTM A307 Grade C anchor bolts may be used in lieu of ASTM F1554 Grade 36 (Fy=36ksi). The corresponding specified grade of AASHTO M314 anchor bolts may be used in lieu of ASTM F1554.
Anchor bolts at fixed bearings may be either cast in place or installed in holes drilled after the supported member is in place.
Anchor bolts for side retainers may be cast in place or installed in holes drilled before or after members are in place.
Drilled and set anchor bolts shall be installed according to Article 521.06 of the Standard Specifications.
Side retainers and other steel members required for the bearing assembly shall be included in the cost of Elastomeric Bearing Assembly, Type I.

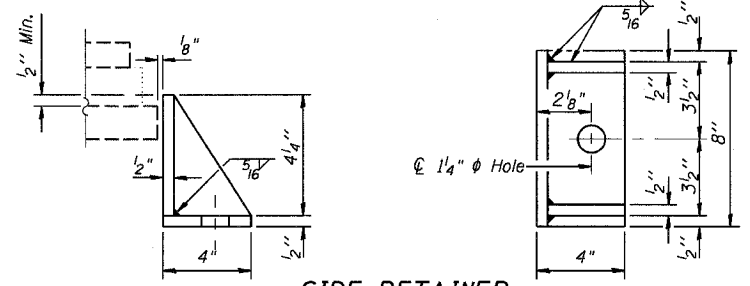


BEARING ASSEMBLY

Note:
Shim plates shall not be placed under Bearing Assembly.

BILL OF MATERIAL

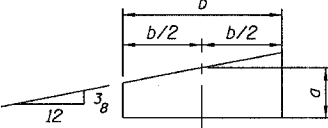
| Item | Unit | Total |
|--------------------------------------|------|-------|
| Elastomeric Bearing Assembly, Type I | Each | 40 |
| Jack & Remove Existing Bearings | Each | 40 |
| Anchor Bolts, 1" | Each | 40 |
| Anchor Bolts, 1 1/4" | Each | 40 |



SIDE RETAINER

Equivalent rolled angle with stiffeners will be allowed in lieu of welded plates.

* Top Plate shall be beveled, see details

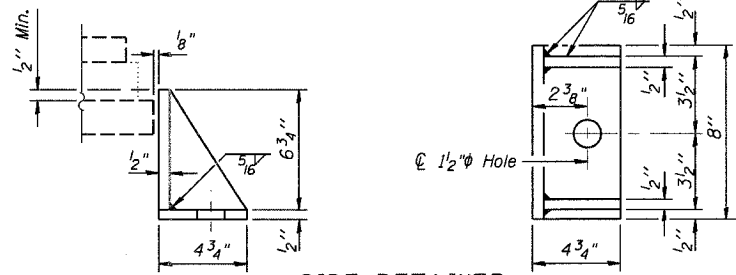


BEVEL DETAIL

| Location | a | b |
|----------|---------|-----|
| N. Abut. | 2 1/8" | 8" |
| S. Abut. | 1 5/16" | 11" |

NOTES

- See Sheet No. 111 and 112 for existing bearing removal and proposed pedestal details.
- Field drilling of holes in bottom flange of existing beams is included with the cost of Elastomeric Bearing Assembly, Type I.



SIDE RETAINER

Equivalent rolled angle with stiffeners will be allowed in lieu of welded plates.

BEARING DETAILS I
F.A.I. 94/ (EDENS EXPRESSWAY)
OVER GOLF ROAD
COOK COUNTY
STATION 265+65.22
STRUCTURE NO. 016-0105

| | |
|------------|-----|
| DESIGNED - | JSD |
| CHECKED - | AMK |
| DRAWN - | JSD |
| CHECKED - | AMK |

LOCHNER
H.W. LOCHNER, INC., CHICAGO, ILLINOIS

I:\2298\struct\dgn\0105BRG00.dgn