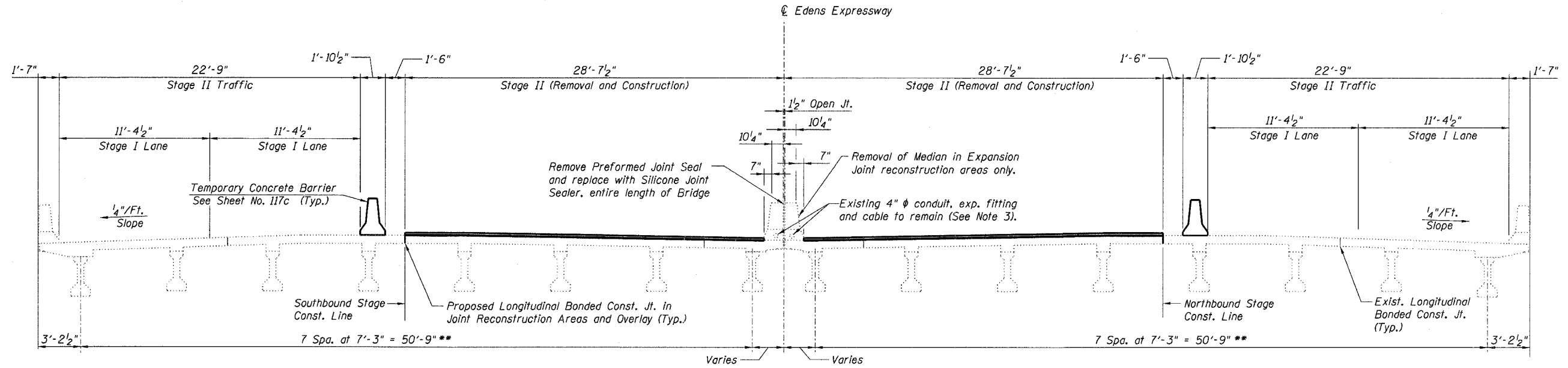


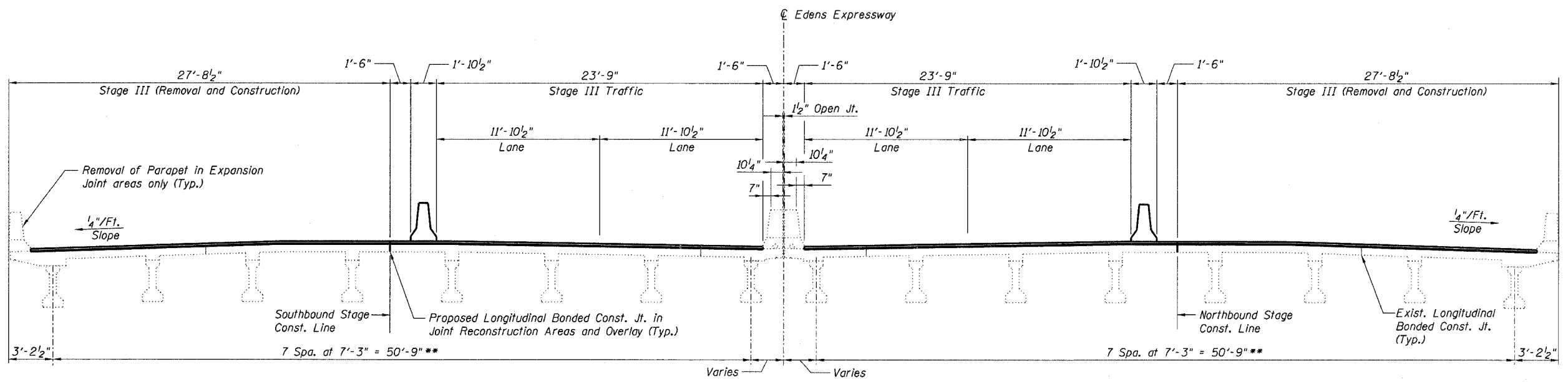
STATE OF ILLINOIS
DEPARTMENT OF TRANSPORTATION

ROUTE NO.	SECTION	COUNTY	TOTAL SHEETS	SHEET
F.A.I. 94	2006-043 RS	COOK	135	115
FED. ROAD DIST. NO. 7	ILLINOIS	FED. AID PROJECT		

Contract # 62747



STAGE II
(Looking North)



STAGE III
(Looking North)

** Measured perpendicular to the chord of the Edens Expressway

NOTES

1. For joint removal limits see Sheet Nos. 116 and 117.
2. Stage I does not include any bridge work.
3. The Contractor shall exercise extreme care with the existing conduits in sections of the parapet to be removed and to protect and support the conduit. The Contractor will be required to repair any damage done to the conduit to the satisfaction of the Engineer. No splicing will be allowed to any cable damage resulting from this work; instead the Contractor will be required to replace the entire span of any damaged cable.

CONSTRUCTION STAGING DETAILS
F.A.I. 94/ (EDENS EXPRESSWAY)
OVER FOREST GLEN
COOK COUNTY
STATION 19+28.67
STRUCTURE NO. 016-0106

DESIGNED	-	JSD
CHECKED	-	AMK
DRAWN	-	EF
CHECKED	-	AMK

LOCHNER
H.W. LOCHNER, INC., CHICAGO, ILLINOIS

T:\2298\struct\dgn\0106CSE01.dgn