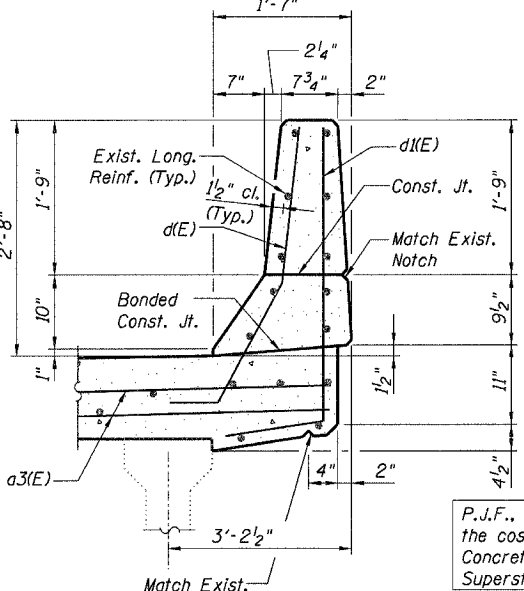
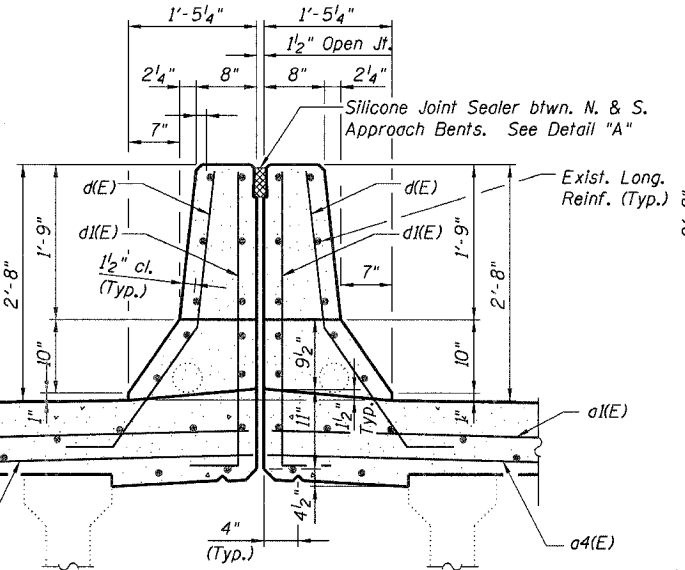
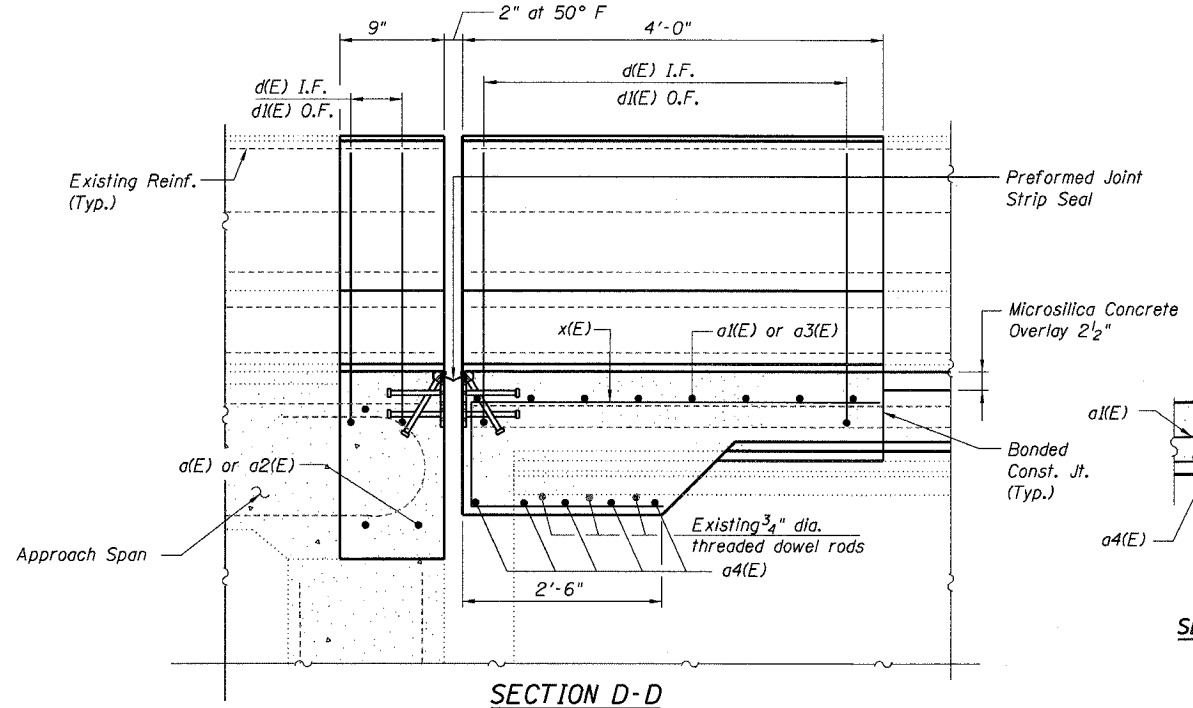
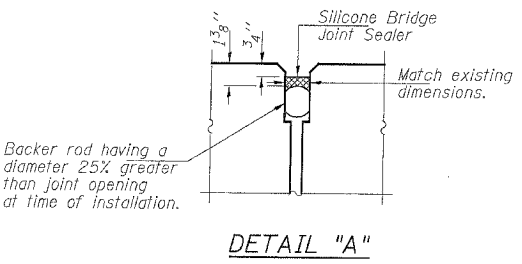
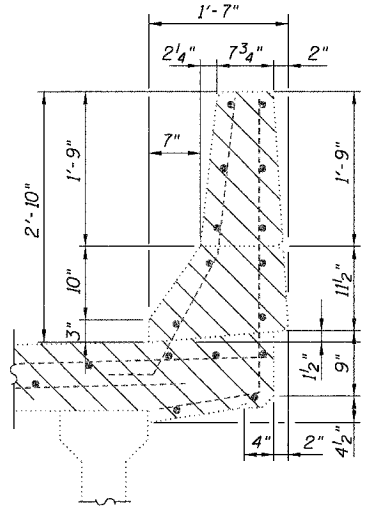
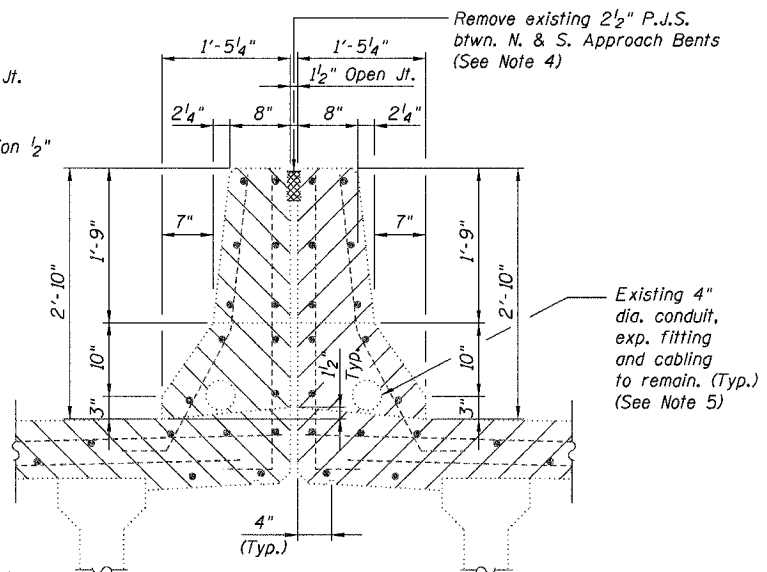
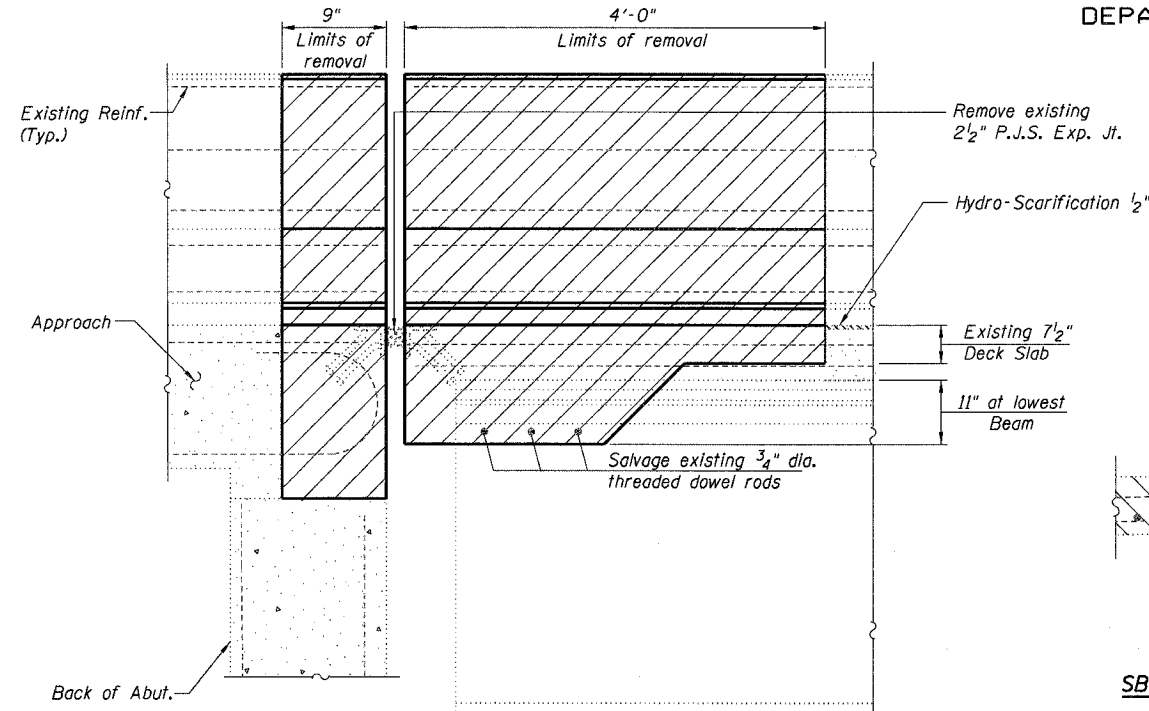


STATE OF ILLINOIS
DEPARTMENT OF TRANSPORTATION

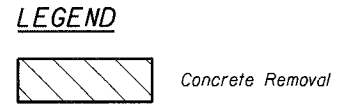
ROUTE NO.	SECTION	COUNTY	TOTAL SHEETS	SHEET NO.
F.A.I. 94	2006-043 RS	COOK	135	117
FED. ROAD DIST. NO. 7	ILLINOIS	FED. AID PROJECT		

Contract # 62747



P.J.S., included in the cost for Concrete Superstructure
SECTION THRU S. ABUT.
(Applies parapet to parapet at fixed joint only)
* Concrete quantity included in Concrete Superstructure

- NOTES**
1. I.F. denotes Inside Face. O.F. denotes Outside Face.
 2. Work required for removal of existing expansion joint shall be included in the cost of Concrete Removal.
 3. Work this Sheet with Sheet No. 116
 4. Work required for removal of existing P.J.S. shall be included in the cost of Silicone Bridge Joint Sealer, 2".
 5. The Contractor shall exercise extreme care with the existing conduits in sections of the parapet to be removed and to protect and support the conduit. The Contractor will be required to repair any damage done to the conduit to the satisfaction of the Engineer. No splicing will be allowed to any cable damage resulting from this work; instead the Contractor will be required to replace the entire span of any damaged cable.



DESIGNED	GWS
CHECKED	AMK
DRAWN	EF
CHECKED	AMK

LOCHNER
H.W. LOCHNER, INC., CHICAGO, ILLINOIS

EXPANSION JOINT REMOVAL & REPLACEMENT DETAILS
F.A.I. 94/ (EDENS EXPRESSWAY)
OVER FOREST GLEN
COOK COUNTY
STATION 19+28.67
STRUCTURE NO. 016-0106

T:\2298\st-uct\dgn\0106EXP01.dgn