

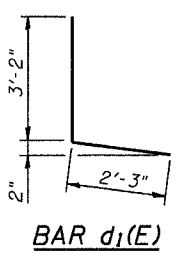
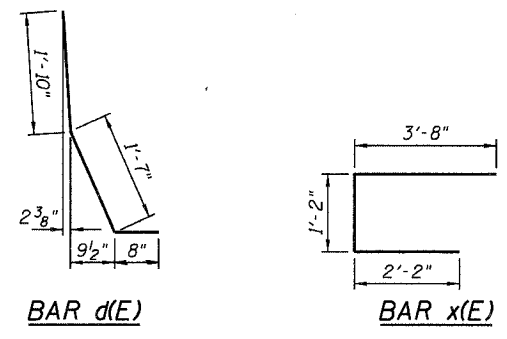
STATE OF ILLINOIS
DEPARTMENT OF TRANSPORTATION

ROUTE NO.	SECTION	COUNTY	TOTAL SHEETS	SHEET
F.A.I. 94	2006-043	COOK	135	117a
RS				
FED. ROAD DIST. NO. 7	ILL. DIST. PROJECT	FED. AID PROJECT		

Contract # 62747

**SUPERSTRUCTURE
BILL OF MATERIAL**

Bar	No.	Size	Length	Shape
a(E)	6	#6	28'-4"	—
a1(E)	16	#7	28'-4"	—
a2(E)	6	#6	27'-2"	—
a3(E)	16	#7	27'-2"	—
a4(E)	70	#6	6'-0"	—
d(E)	28	#5	4'-1"	┘
d1(E)	28	#4	5'-5"	└
x(E)	182	#6	7'-0"	—
Concrete Removal		Cu. Yd.	28.1	
Concrete Superstructure		Cu. Yd.	31.7	
Bridge Deck Grooving		Sq. Yd.	611	
Protective Coat		Sq. Yd.	65	
Reinforcement Bars, Epoxy Coated		Pound	5,080	
Silicone Bridge Joint Sealer, 1"		Foot	107	
Silicone Bridge Joint Sealer, 2"		Foot	134	



BAR BEND DETAILS

NOTE
Reinforcement bars designated (E) shall be epoxy coated.

**REINFORCING BAR DETAILS &
SUPERSTRUCTURE BILL OF MATERIAL
F.A.I. 94 / (EDENS EXPRESSWAY)
OVER FOREST GLEN
COOK COUNTY
STATION 19+28.67
STRUCTURE NO. 016-0106**

DESIGNED -	JSD
CHECKED -	AMK
DRAWN -	JSD
CHECKED -	AMK

LOCHNER
H.W. LOCHNER, INC., CHICAGO, ILLINOIS

T:\2298\struct\dgn\0106COM06.dgn