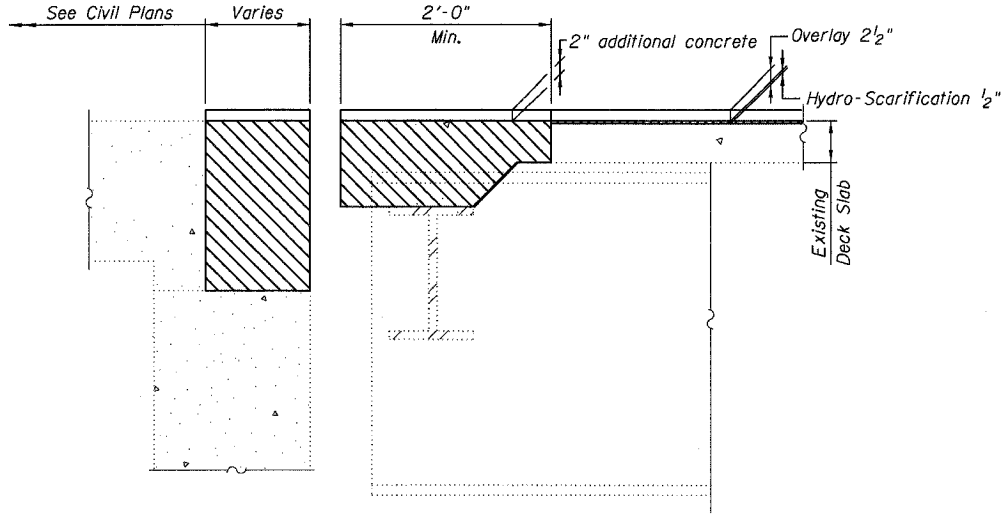


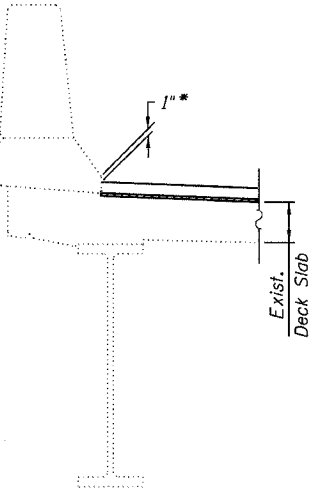
STATE OF ILLINOIS  
DEPARTMENT OF TRANSPORTATION

ROUTE NO.	SECTION	COUNTY	SHEET NO.	SHEET
F.A.I. 94	2006-043 RS	COOK	135	122e
FED. ROAD DIST. NO. 7		ILL. PROJ. FED. AID PROJECT		

Contract # 62747



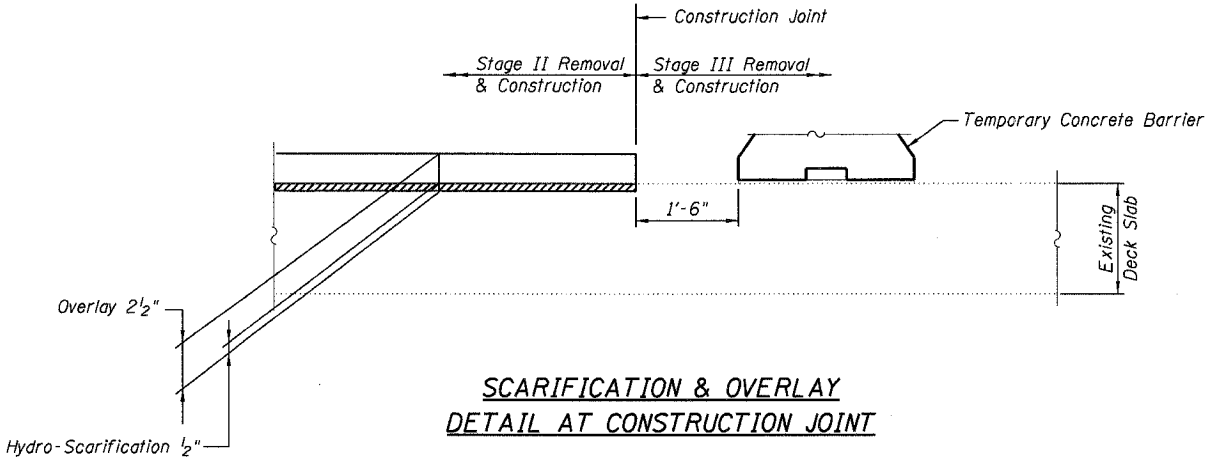
SCARIFICATION & OVERLAY DETAIL AT ABUTMENT



\* Contractor shall increase hydro-scarification thickness or reduce overlay thickness as directed by the Engineer to ensure that this dimension is not less than 0".

SCARIFICATION & OVERLAY  
DETAIL AT PARAPET

(Applies only to areas outside the joint removal area.)

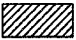



SCARIFICATION & OVERLAY  
DETAIL AT CONSTRUCTION JOINT

**NOTE**

If additional hydro-scarification is required to maintain the dimension shown in the Scarification & Overlay Detail at Parapet, it shall be included in the cost for Bridge Deck Hydro-scarification 1/2".

**LEGEND**

-  Hydro-Scarification
-  Concrete Removal

DESIGNED -	JSD
CHECKED -	DWH
DRAWN -	JSD
CHECKED -	DWH

**LOCHNER**  
H.W. LOCHNER, INC., CHICAGO, ILLINOIS

SCARIFICATION AND  
OVERLAY DETAILS  
F.A.I. 94/ (EDENS EXPRESSWAY)  
OVER NORTH BRANCH  
COOK COUNTY  
STATION 23+63.00  
STRUCTURE NO. 016-0107

T:\2298\structure\dgn\0107COM12.dgn