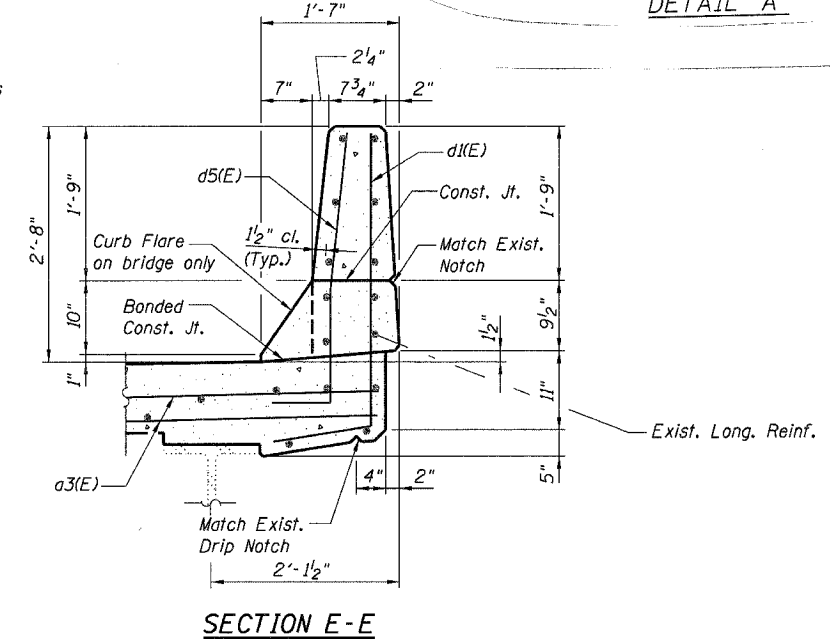
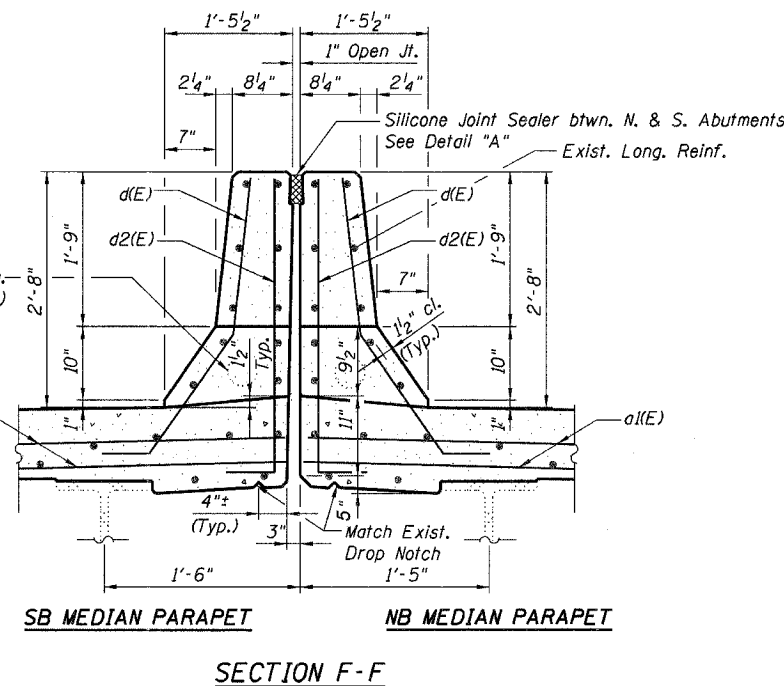
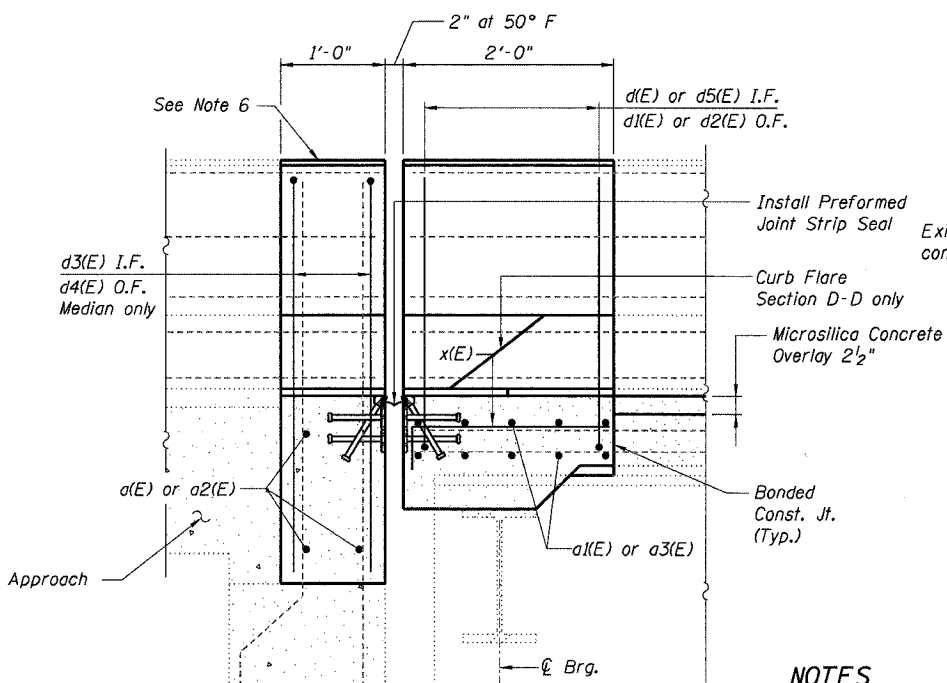
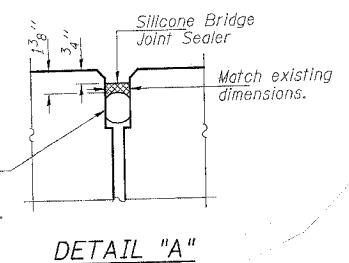
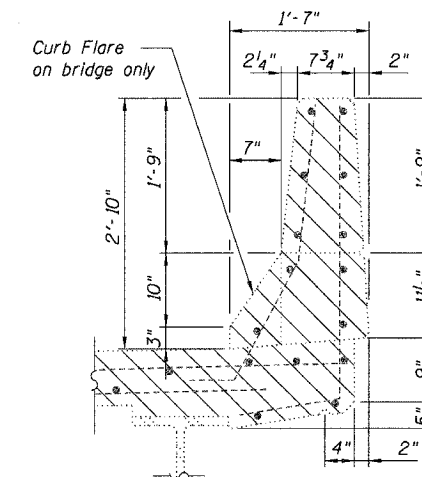
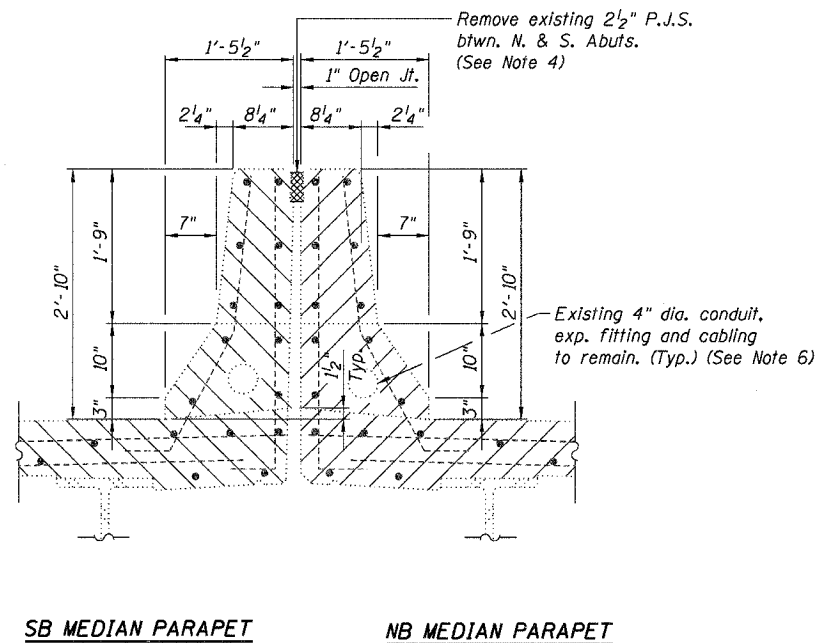
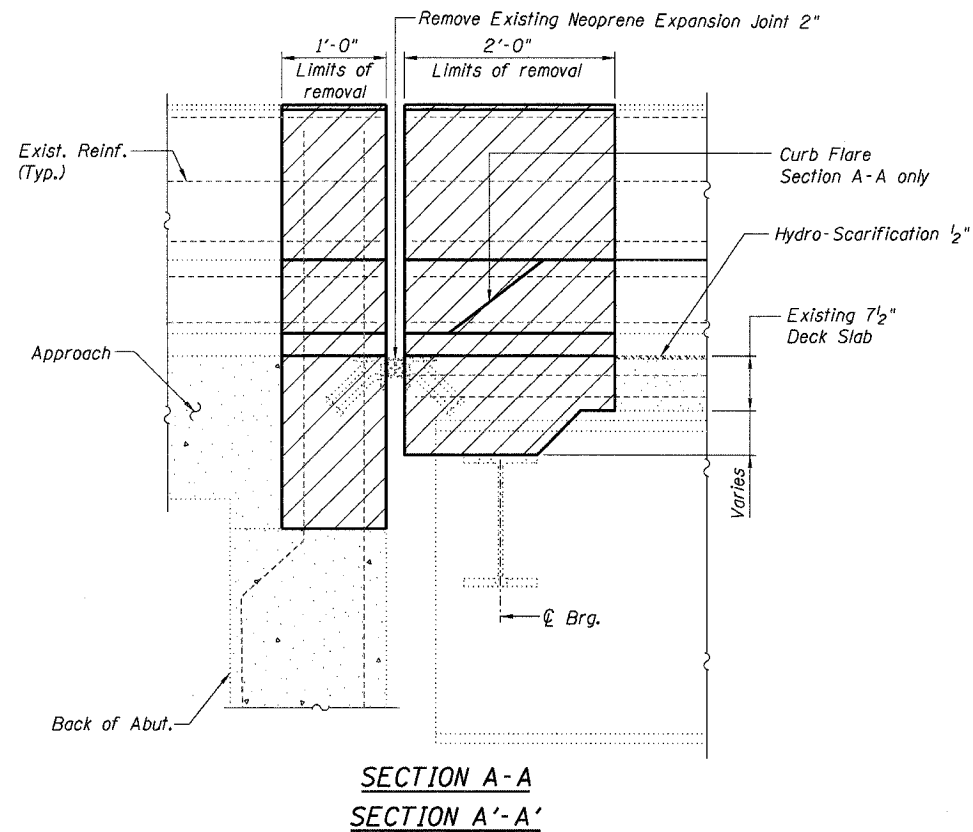


STATE OF ILLINOIS  
DEPARTMENT OF TRANSPORTATION

ROUTE NO.	SECTION	COUNTY	TOTAL SHEETS	SHEET
F.A.I. 94	2006-043 RS	COOK	135	127
FED. ROAD DIST. NO. 7	ILL. PROJ. NO.	FED. AID PROJECT		

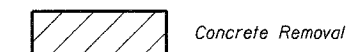
Contract # 62747



NOTES

1. I.F. denotes Inside Face.  
O.F. denotes Outside Face.
2. Work required for removal of existing expansion joint shall be included in the cost of Concrete Removal.
3. Work this sheet with Sheet No. 126.
4. Work required for removal of existing P.J.S. shall be included in the cost of Silicone Joint Sealer, 2".
5. Form top of parapet to match elevation of top of wingwall.
6. The Contractor shall exercise extreme care with the existing conduits in sections of the parapet to be removed and to protect and support the conduit. The Contractor will be required to repair any damage done to the conduit to the satisfaction of the Engineer. No splicing will be allowed to any cable damage resulting from this work; instead the Contractor will be required to replace the entire span of any damaged cable.

LEGEND



EXPANSION JOINT REMOVAL &  
REPLACEMENT DETAILS  
F.A.I. 94/ (EDENS EXPRESSWAY)  
OVER CICERO AVE.  
COOK COUNTY  
STATION 29+14.49  
STRUCTURE NO. 016-0108

DESIGNED -	JSD
CHECKED -	AMK
DRAWN -	EF
CHECKED -	AMK

**LOCHNER**  
H.W. LOCHNER, INC., CHICAGO, ILLINOIS