

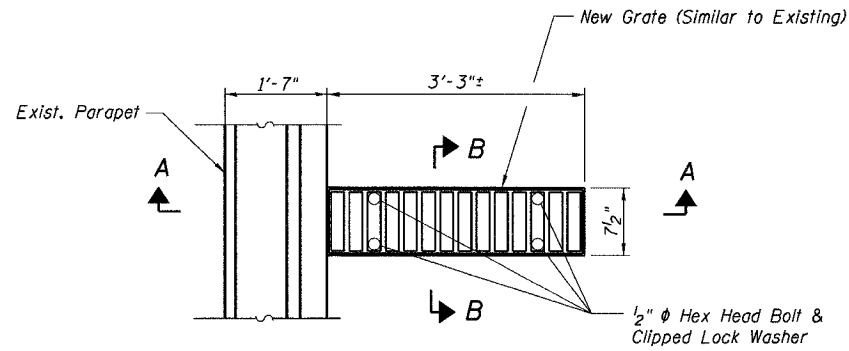
STATE OF ILLINOIS  
DEPARTMENT OF TRANSPORTATION

ROUTE NO.	SECTION	COUNTY	TOTAL SHEETS	SHEET NO.
F.A.I. 94	2006-043 RS	COOK	135	133
FED. ROAD DIST. NO. 7	ILLINOIS	FED. AID PROJECT		

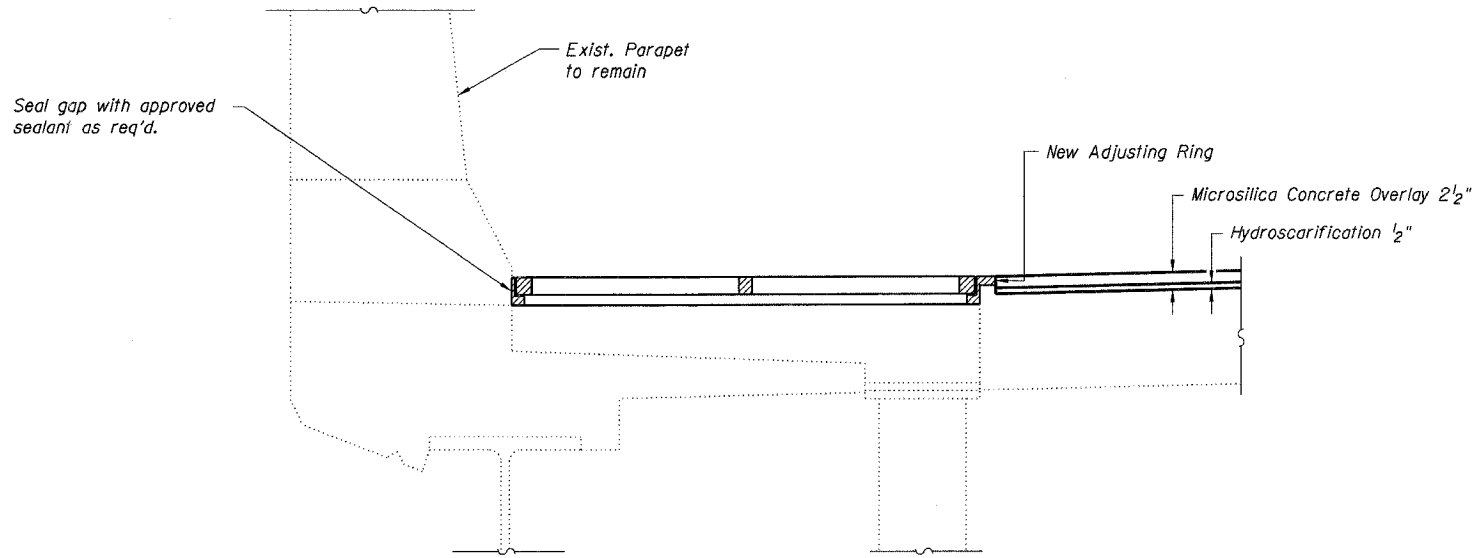
Contract # 62747

BILL OF MATERIAL

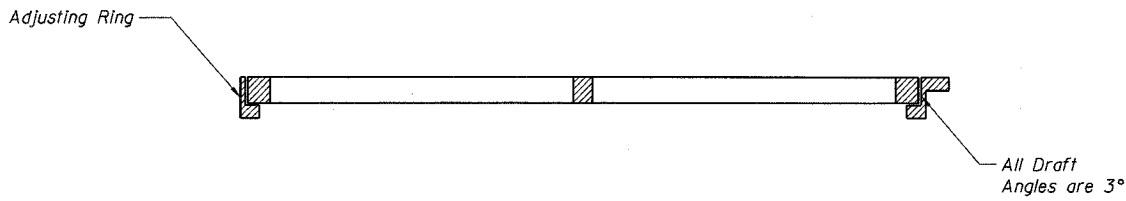
Item	Unit	Total
Adjusting Drainage Scuppers	Each	6



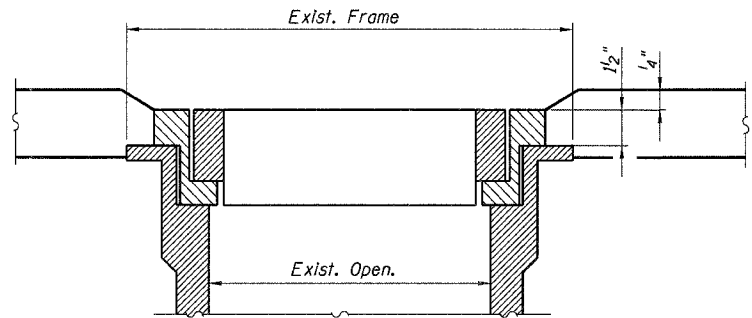
PROPOSED PLAN AT SCUPPER



SECTION THRU SCUPPER



SECTION A-A



SECTION B-B

NOTES

1. The contractor shall verify the exact location, type and dimensions of the existing scuppers before ordering the materials, the cost of which is included in the cost of Adjusting Drainage Scuppers.
2. For scupper locations, see General Plan & Elevation sheets.
3. For additional notes and Bill of Material, see Sheet 123a and 123b
4. All cast iron parts shall be grey iron conforming to the requirements of AASHTO M 105, Class 35B.
5. Bolts, anchor studs, washers and nuts shall conform to the requirements of ASTM A 307 and shall be galvanized according to AASHTO M 232.
6. Cast iron parts shall be unfinished.
7. The Contractor shall take appropriate measures to assure the Protective Coat is not applied to the scuppers.
8. Adjusting ring and grates shall be from Neenah or approved equal. Structural steel weldments or equal sections and of the same configuration may be substituted for cast iron. Fillet or full penetration welds may be used for weldments. Details shall be submitted to the Engineer for approval.
9. Provide an 1/8" fillet weld around perimeter of new adjusting ring to secure to existing scupper. Electrode shall be compatible with the existing scupper housing material.

DRAINAGE SCUPPER DETAILS

DRAINAGE SCUPPER ADJUSTMENT DETAILS  
F.A.I. 94/ (EDENS EXPRESSWAY)  
OVER CICERO AVE.  
COOK COUNTY  
STATION 29+14.49  
STRUCTURE NO. 016-0108

DESIGNED -	JSD
CHECKED -	DWH
DRAWN -	JW
CHECKED -	DWH

**LOCHNER**  
H.W. LOCHNER, INC., CHICAGO, ILLINOIS

T:\2298\struct\dgn\0108COM11.dgn