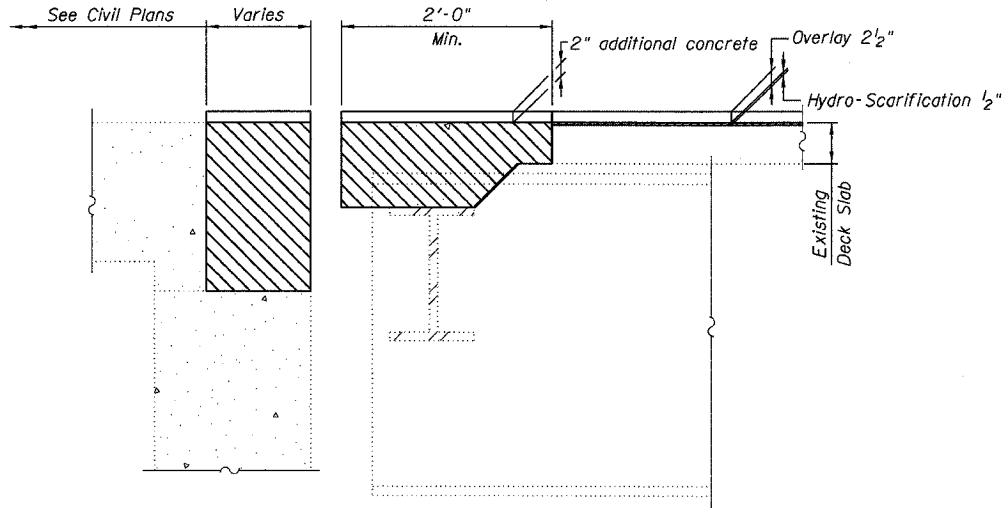


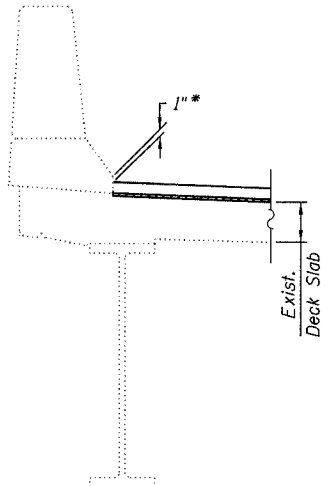
STATE OF ILLINOIS  
DEPARTMENT OF TRANSPORTATION

ROUTE NO.	SECTION	COUNTY	SHEET NO.	TOTAL SHEETS
F.A.I. 94	2006-043 RS	COOK	135	134
FED. HIGH. DIST. NO. 7		ILLINOIS	FED. AID PROJECT	

Contract # 62747



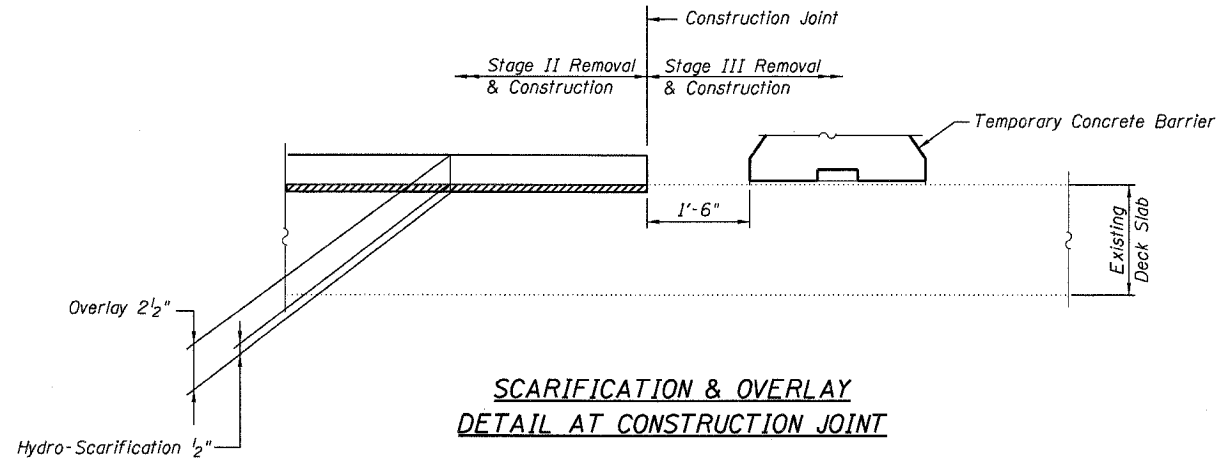
**SCARIFICATION & OVERLAY DETAIL AT ABUTMENT**



\* Contractor shall increase hydro-scarification thickness or reduce overlay thickness as directed by the Engineer to ensure that this dimension is not less than 0".

**SCARIFICATION & OVERLAY DETAIL AT PARAPET**

(Applies only to areas outside the joint removal area.)

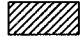
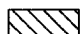


**SCARIFICATION & OVERLAY DETAIL AT CONSTRUCTION JOINT**

**NOTE**

If additional hydro-scarification is required to maintain the dimension shown in the Scarification & Overlay Detail at Parapet, it shall be included in the cost for Bridge Deck Hydro-scarification 1/2".

**LEGEND**

-  Hydro-Scarification
-  Concrete Removal

DESIGNED -	JSD
CHECKED -	DWH
DRAWN -	JSD
CHECKED -	DWH

**LOCHNER**  
H.W. LOCHNER, INC., CHICAGO, ILLINOIS

**SCARIFICATION AND OVERLAY DETAILS**  
**F.A.I. 94/ (EDENS EXPRESSWAY)**  
**OVER CICERO AVE.**  
**COOK COUNTY**  
**STATION 29+14.49**  
**STRUCTURE NO. 016-0108**

T:\2298\structure\dgn\0108COM12.dgn