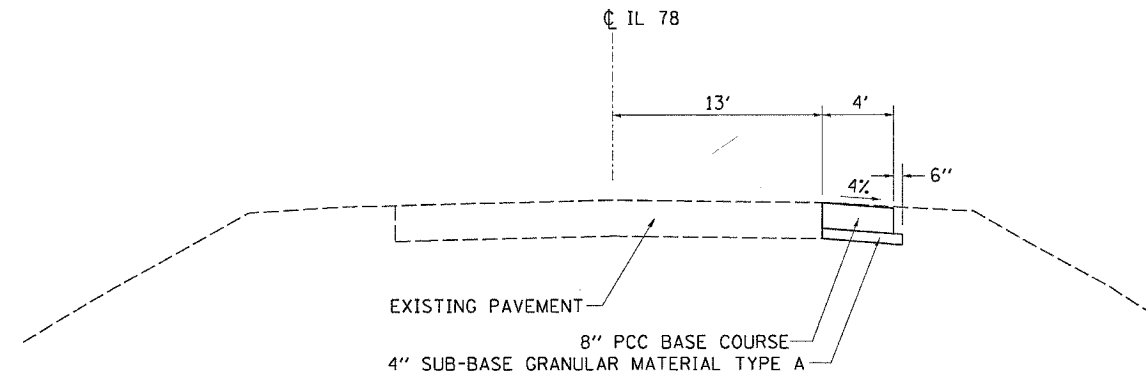


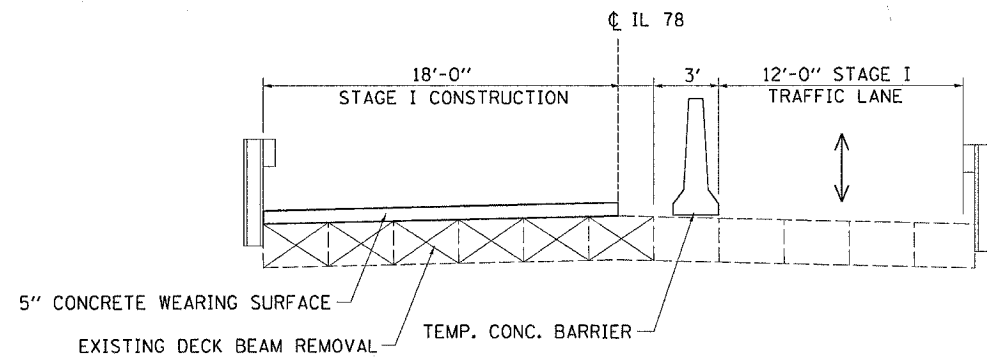
F.A.P. RTE.	SECTION	COUNTY	TOTAL SHEETS	SHEET NO.
22	(125BR-21D)	HENRY	34	6
STA.		TO STA.		
FED. ROAD DIST. NO.	ILLINOIS	FED. AID PROJECT		

# STAGING TYPICAL SECTIONS

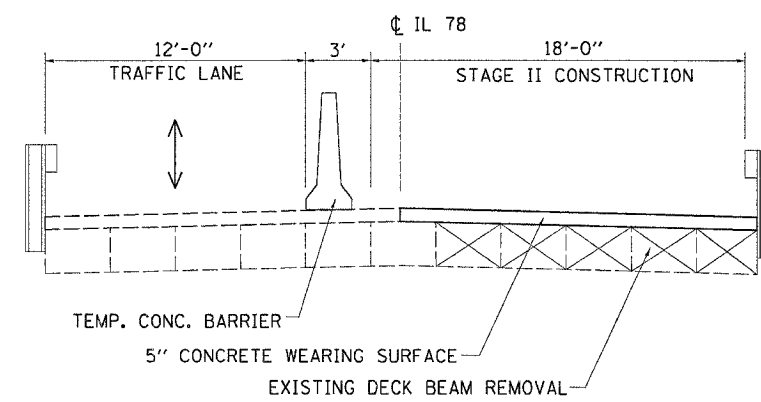
STAGE 1  
STA. 678+56.82 RT - STA. 679+06.82 RT



STAGE I



STAGE II



PLOT DATE = Wed May 15 11:25:15 2007  
FILE NAME = I:\projects\64D47\125BR21D\125BR21D.dgn  
PLOT SCALE = 50.0000 / IN.  
USER NAME = cushmanb

REVISIONS	
NAME	DATE

ILLINOIS DEPARTMENT OF TRANSPORTATION

SCALE: VERT. / HORIZ.  
DATE

DRAWN BY  
CHECKED BY