

F.A.P. RTE.	SECTION	COUNTY	TOTAL SHEETS	SHEET NO.
22	1125BR-210	HENRY	34	10
STA.		TO STA.		
FED. ROAD DIST. NO.		ILLINOIS FED. AID PROJECT		

HORIZONTAL & VERTICAL CONTROL

Chain RTE78 contains:
3 CUR 240 CUR 250 CUR 260 CUR 270 4

Beginning chain RTE78 description

Point 3 N 1,722,818.6068 E 2,368,441.1452 Sta 552+87.59

Course from 3 to PC 240 359° 29' 34.03" Dist 711.8061'

Curve Data

Curve 240
P.I. Station 561+99.69 N 1,723,730.6727 E 2,368,433.0709
Delta = 2° 00' 10.09" (LT)
Degree = 0° 30' 00.05"
Tangent = 200.2956'
Length = 400.5503'
Radius = 11,458.8606'
External = 1.7504'
Long Chord = 400.5300'
Mid. Ord. = 1.7501'
P.C. Station 559+99.40 N 1,723,530.3850 E 2,368,434.8440
P.T. Station 563+99.95 N 1,723,930.7761 E 2,368,424.2991
C.C. N 1,723,428.9464 E 2,356,976.4324

Curve Data

Curve 250
P.I. Station 566+00.24 N 1,724,130.8795 E 2,368,415.5274
Delta = 2° 00' 10.09" (RT)
Degree = 0° 30' 00.05"
Tangent = 200.2956'
Length = 400.5503'
Radius = 11,458.8612'
External = 1.7504'
Long Chord = 400.5300'
Mid. Ord. = 1.7501'
P.C. Station 563+99.95 N 1,723,930.7761 E 2,368,424.2992
P.T. Station 568+00.50 N 1,724,331.1672 E 2,368,413.7543
C.C. N 1,724,432.6058 E 2,379,872.1665

Course from PT 250 to PC 260 359° 29' 34.03" Dist 6,507.9276'

Curve Data

Curve 260
P.I. Station 640+84.72 N 1,731,615.1094 E 2,368,349.2712
Delta = 44° 13' 50.07" (LT)
Degree = 2° 59' 57.32"
Tangent = 776.3000'
Length = 1,474.7189'
Radius = 1,910.3340'
External = 151.7081'
Long Chord = 1,438.3725'
Mid. Ord. = 140.5467'
P.C. Station 633+08.42 N 1,730,838.8398 E 2,368,356.1434
P.T. Station 647+83.14 N 1,732,166.5427 E 2,367,802.8620
C.C. N 1,730,821.9286 E 2,366,445.8843

Course from PT 260 to PC 270 315° 15' 43.95" Dist 286.9438'

Curve Data

Curve 270
P.I. Station 658+47.75 N 1,732,922.7692 E 2,367,053.5257
Delta = 44° 18' 38.00" (RT)
Degree = 3° 00' 00.00"
Tangent = 777.6610'
Length = 1,477.0191'
Radius = 1,909.8600'
External = 152.2559'
Long Chord = 1,440.4852'
Mid. Ord. = 141.0141'
P.C. Station 650+70.09 N 1,732,370.3691 E 2,367,600.8928
P.T. Station 665+47.11 N 1,733,700.4086 E 2,367,047.7269
C.C. N 1,733,714.6497 E 2,368,957.5339

Course from PT 270 to 4 359° 34' 21.95" Dist 23,049.3221'

Point 4 N 1,756,749.0899 E 2,366,875.8571 Sta 895+96.43

Ending chain RTE78 description

POT Sta 895+96.43

RTE 78

BENCH MARK # 420

CONTROL POINT # 103

CONTROL POINT # 102

PT Sta 665+47.11

PC Sta 650+70.09

PT Sta 647+83.14

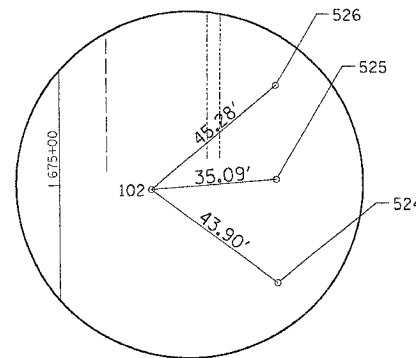
PC Sta 633+08.42

PT Sta 568+00.50

PRC Sta 563+99.95

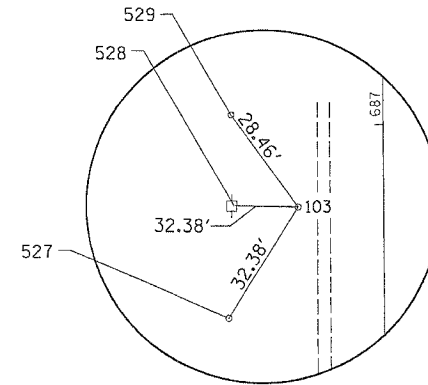
PC Sta 559+99.40

POT Sta 552+87.59



HORIZONTAL CONTROL

POINT NO. 102



HORIZONTAL CONTROL

POINT NO. 103

CONTROL POINTS

POINT	NORTH	EAST	ELEVATION	CHAIN	STATION	OFFSET	DESCRIPTION
102	1734652.1273	2367066.3686	622.8965	RTE78	674+98.66	25.7377' RT	GPS CONTROL POINT, PIN
103	1735832.5671	2367010.5208	618.5474	RTE78	686+79.48	21.3064' LT	GPS CONTROL POINT, PIN

SURVEY WORK POINTS

POINT	NORTH	EAST	ELEVATION	CHAIN	STATION	OFFSET	DESCRIPTION
123	1735195.5717	2366963.6442	620.0700	RTE78	680+42.85	72.9316' LT	TRAVERSE STATION, PIN
124	1735188.3796	2367107.4495	621.4300	RTE78	680+34.59	70.8161' RT	TRAVERSE STATION, PIN

BENCH MARKS

POINT	NORTH	EAST	ELEVATION	CHAIN	STATION	OFFSET	DESCRIPTION
420	1735203.9252	2367054.3269	620.6416	RTE78	680+50.5318	17.8109' RT	ABUTMENT, CHISELED "X"

REFERENCE TIES

POINT	CHAIN	STATION	OFFSET	DESCRIPTION
524	RTE78	674+72.44	60.9423' RT	SHOULDER, PIN
525	RTE78	675+01.13	60.7434' RT	SHOULDER, PIN
526	RTE78	675+27.55	60.6093' RT	SHOULDER, PIN
527	RTE78	686+52.18	38.7217' LT	SHOULDER, PIN
528	RTE78	686+79.87	37.272' LT	POWER POLE, PK NAIL
529	RTE78	687+02.65	37.8451' LT	SHOULDER, PIN

CURVE POINT NUMBERS

CHAIN	CURVE	PI	CC	PC	PT
RTE78	240	240	241	242	243
RTE78	250	250	251	252	253
RTE78	260	260	261	262	263
RTE78	270	270	271	272	273

REVISIONS		ILLINOIS DEPARTMENT OF TRANSPORTATION
NAME	DATE	
		SCALE: VERT. / HORIZ. / DATE DRAWN BY / CHECKED BY

PLOT DATE = Wed May 16 11:54:25 2007
 PLOT SCALE = 2000.0000 / IN.
 USER NAME = cshannon