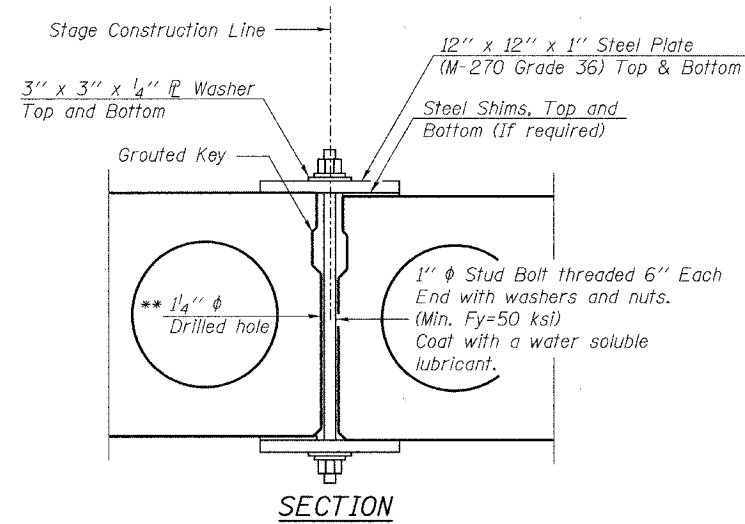
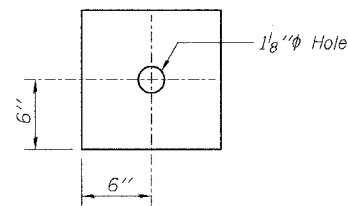


**PLAN**



**SECTION**



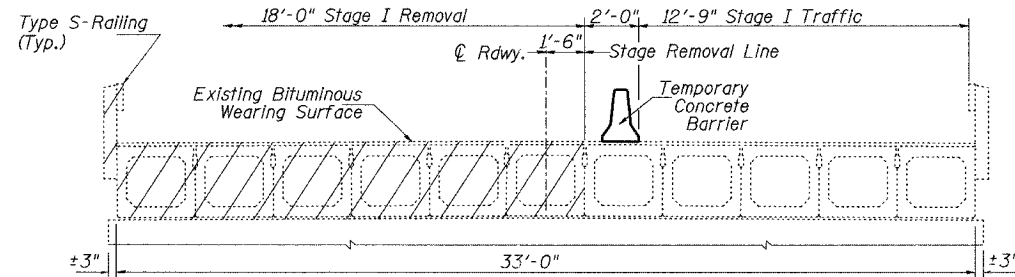
**CLAMPING PLATE**

**SHEAR KEY CLAMPING DETAILS AT STAGE CONST. JT.**

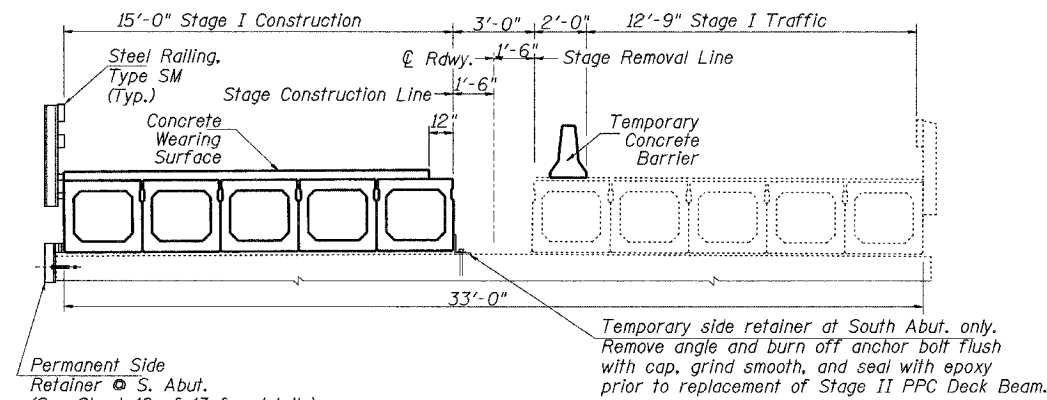
Cost included with Precast Prestressed Concrete Deck Beams.  
See Stage Construction Details for traffic lanes.  
Stage construction of precast prestressed concrete deck beams shall be according to Article 504.06(d) of the Standard Specifications.

\*\* As an alternate to the drilled holes, the Contractor may request the Fabricator to cast 2" diameter semi-circular recesses in the sides of each beam adjacent to the stage construction line. These recesses should align to form a hole at the appropriate locations for the clamping device bolts. If the Contractor elects to use this alternate, the details shall be identified on the shop drawings.

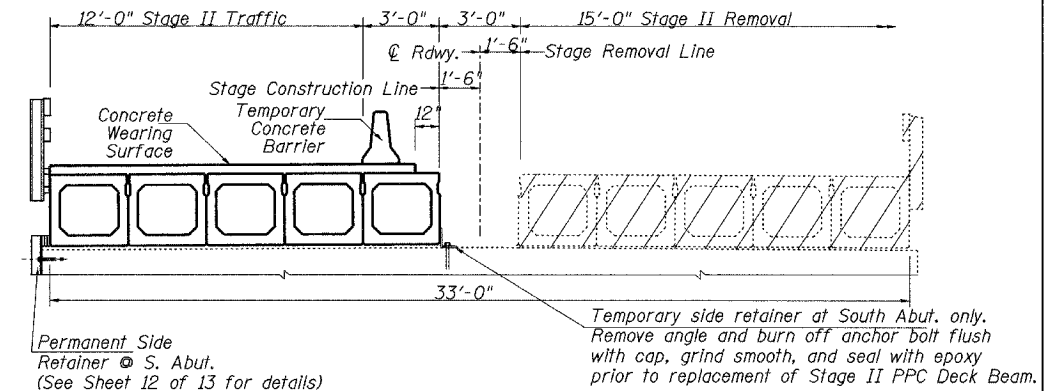
DESIGNED	BAN
CHECKED	JOH
DRAWN	TC
CHECKED	BAN



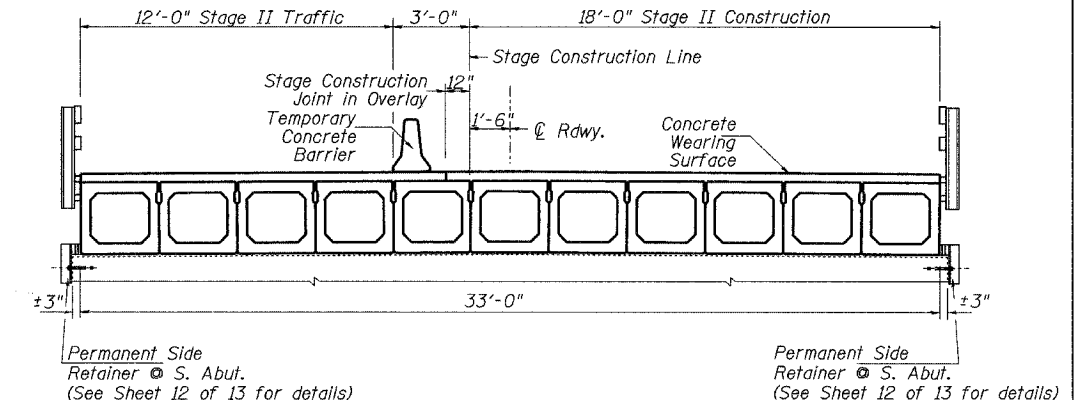
**STAGE I REMOVAL**



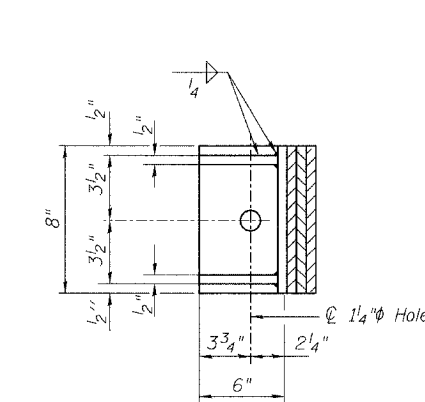
**STAGE I CONSTRUCTION**



**STAGE II REMOVAL**

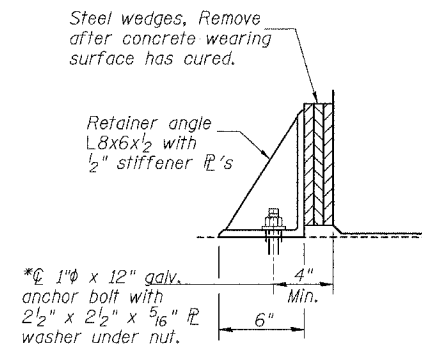


**STAGE II CONSTRUCTION**



**TEMPORARY RETAINER ANGLE PLAN**

The retainers and hardware shall be galvanized after shop fabrication accordance to AASHTO M111 ASTM 385.



**TEMPORARY RETAINER ANGLE ELEVATION**

\*Anchor bolts or approved threaded rod may be placed in drilled holes and grouted in place. Cost of retainers, accessories, and galvanizing are included with Precast Prestressed Concrete Deck Beams.

**Notes:**

All cross-sections are looking North.  
Hatched area indicates Removal of Existing Superstructure.  
For Temporary Concrete Barrier Details see sheet 3 of 13.  
Anchor bolts shall be ASTM F1554 all-thread (or an Engineer-approved alternate material) of the grade(s) and diameter(s) specified. ASTM A307 Grade C anchor bolts may be used in lieu of ASTM F1554 Grade 36 (Fy=36ksi). The corresponding specified grade of AASHTO M314 anchor bolts may be used in lieu of ASTM F1554.  
Drilled and set anchor bolts shall be installed according to Article 521.06 of the Standard Specifications.

**STAGE CONSTRUCTION DETAILS**  
**F.A.P. 22 (ILL 78) OVER**  
**COAL CREEK**  
**SECTION (125BR-21D)**  
**HENRY COUNTY**  
**STATION 680+94.38**  
**STR. NO. 037-0130**

HUTCHISON ENGINEERING, INC.  
JACKSONVILLE, ILLINOIS  
Rev: \_\_\_\_\_ Date: \_\_\_\_\_