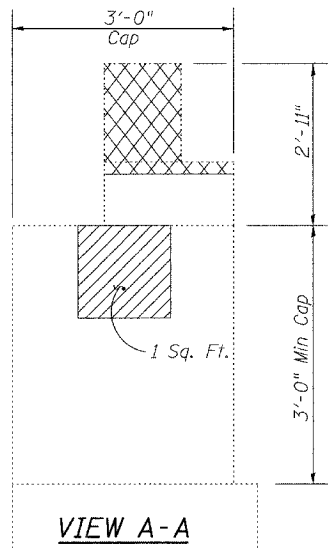


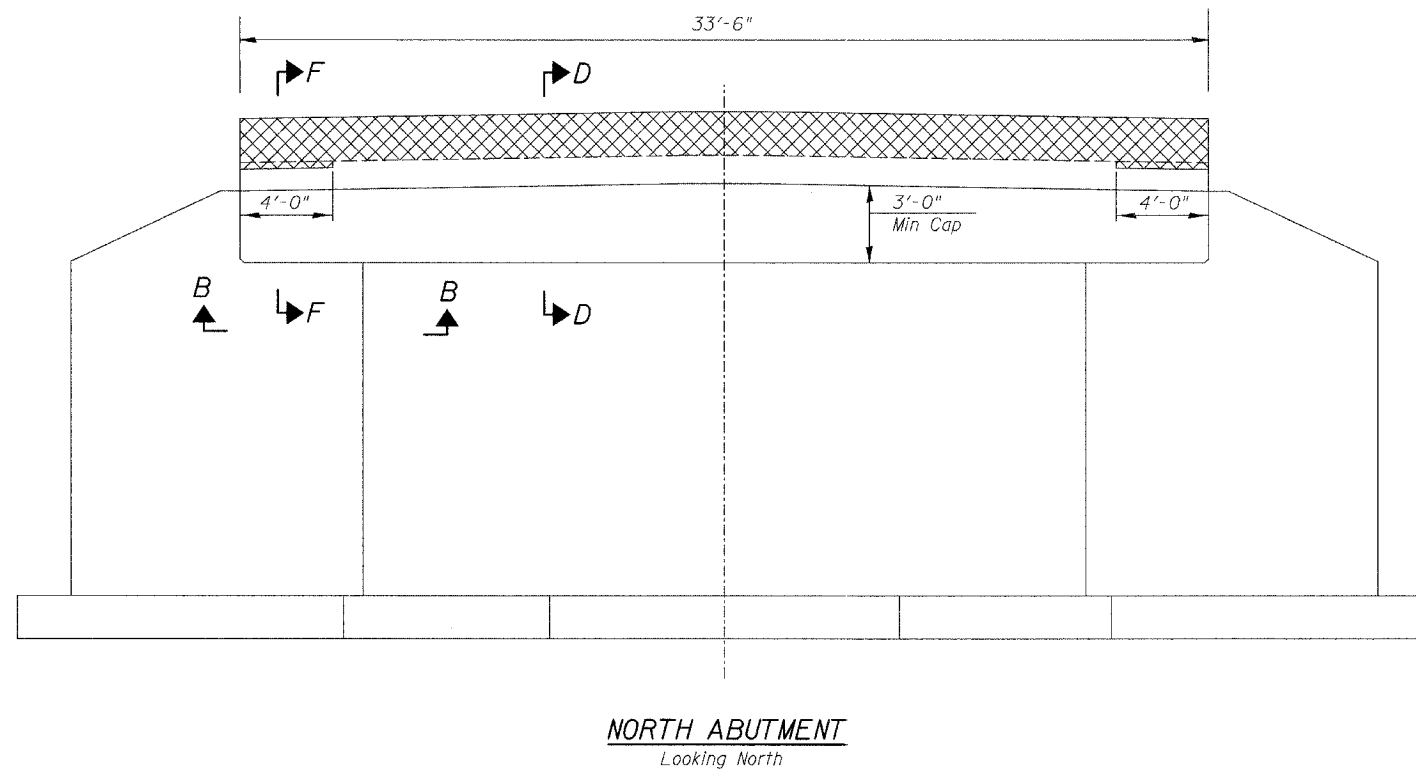
VIEW B-B



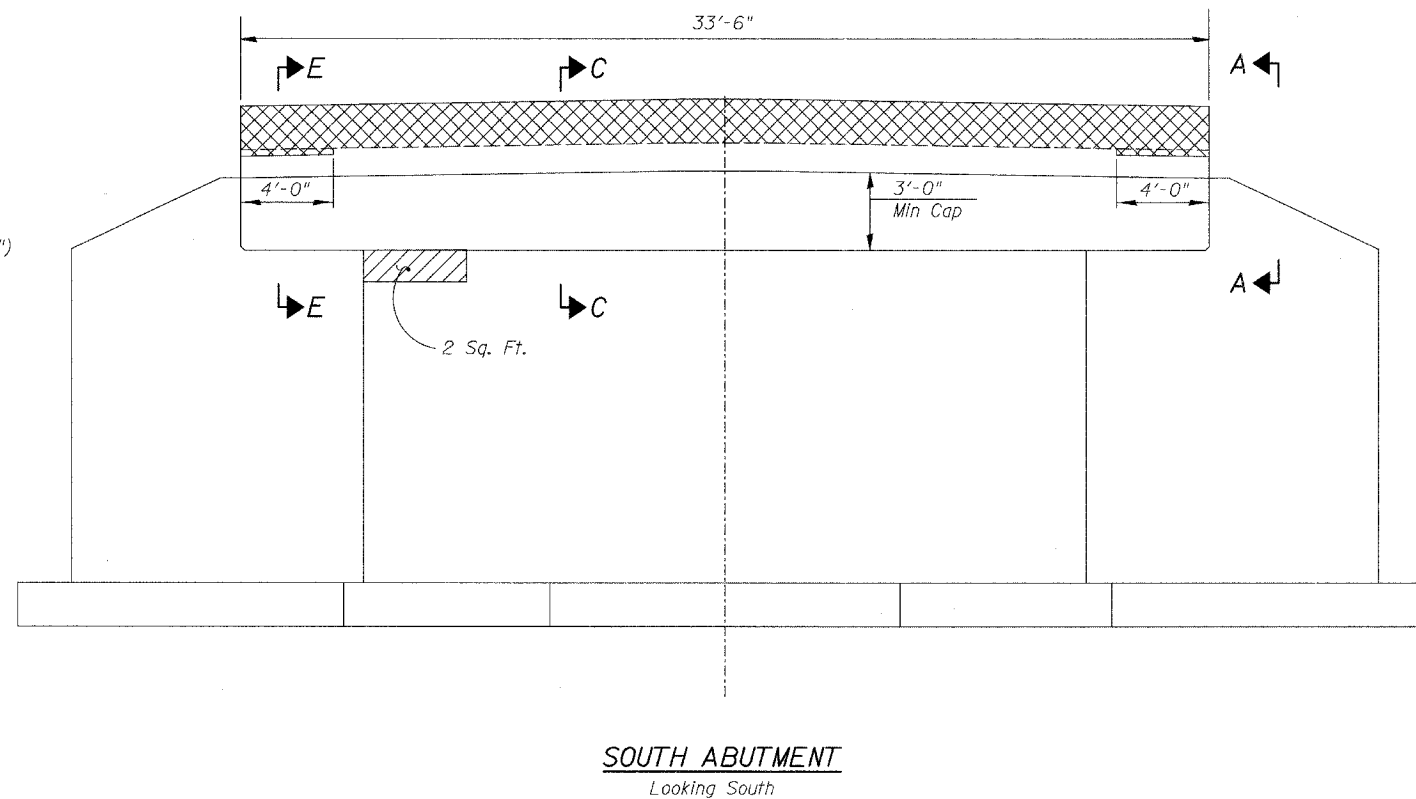
VIEW A-A

LEGEND

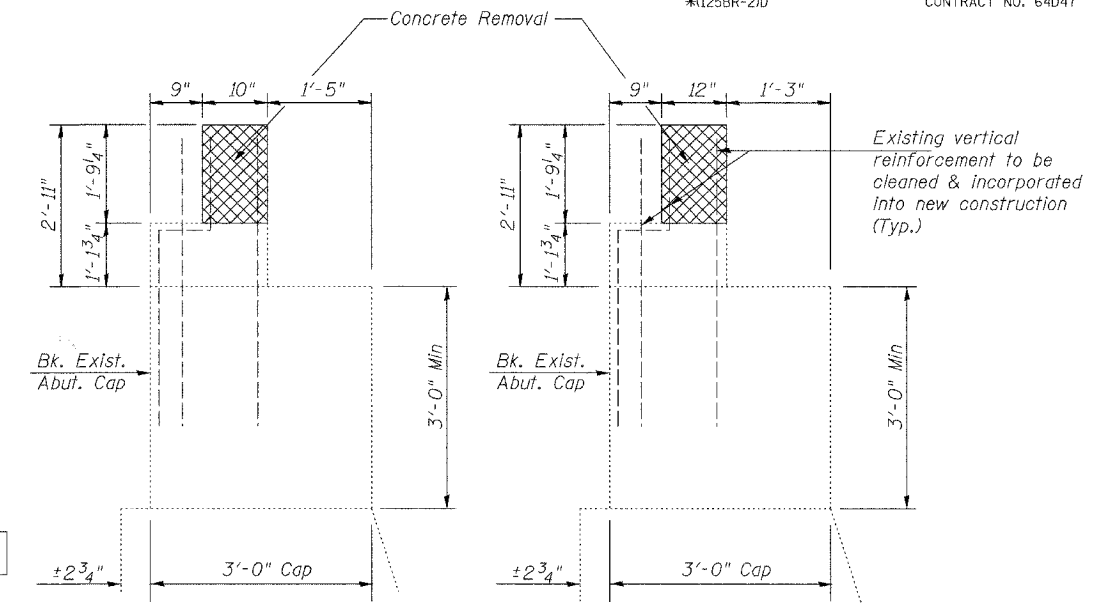
- Structural Repair of Concrete (Depth Equal to or less than 5")
- Concrete Removal



NORTH ABUTMENT
Looking North

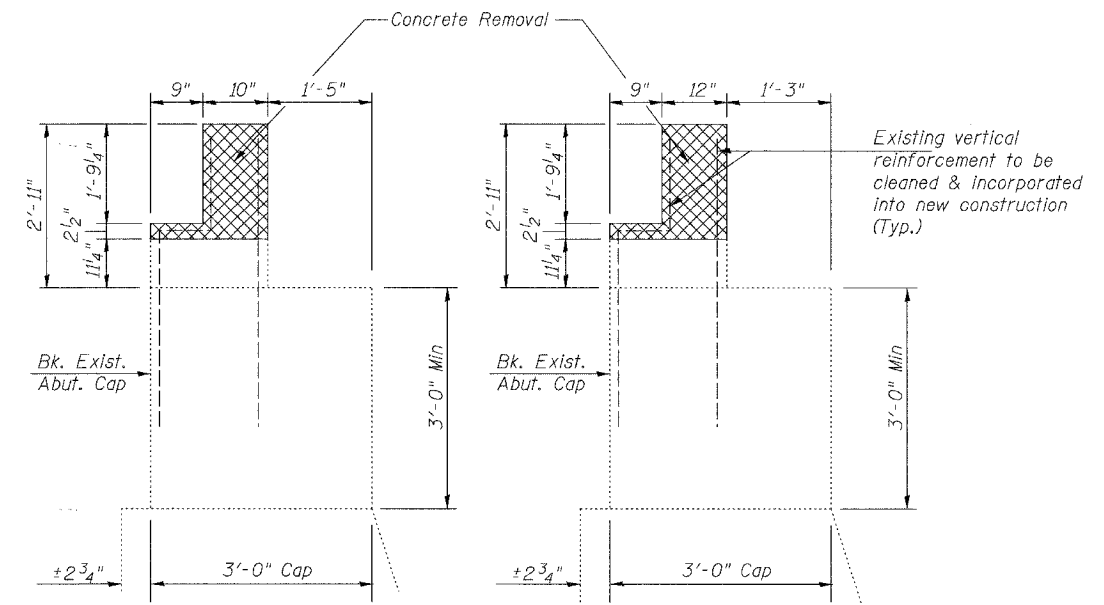


SOUTH ABUTMENT
Looking South



SECTION C-C
(Showing Removal)
(SOUTH ABUTMENT)

SECTION D-D
(Showing Removal)
(NORTH ABUTMENT)



SECTION E-E
(Showing Removal)
(SOUTH ABUTMENT)

SECTION F-F
(Showing Removal)
(NORTH ABUTMENT)

BILL OF MATERIAL

Item	Unit	Quantity
Concrete Removal	Cu. Yd.	4.3
Structural Repair of Concrete (Depth equal to or less than 5")	Sq. Ft.	7

**ABUTMENT REPAIR
AND CONCRETE REMOVAL
F.A.P. 22 (ILL 78) OVER
COAL CREEK
SECTION (125BR-2)D
HENRY COUNTY
STATION 680+94.38
STR. NO. 037-0130**

HUTCHISON ENGINEERING, INC.
JACKSONVILLE, ILLINOIS

Rev: _____ Date: _____

DESIGNED	BAN
CHECKED	JOH
DRAWN	TC
CHECKED	BAN