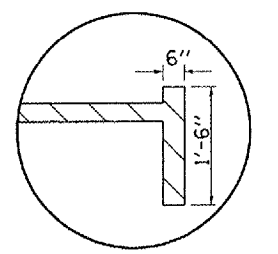
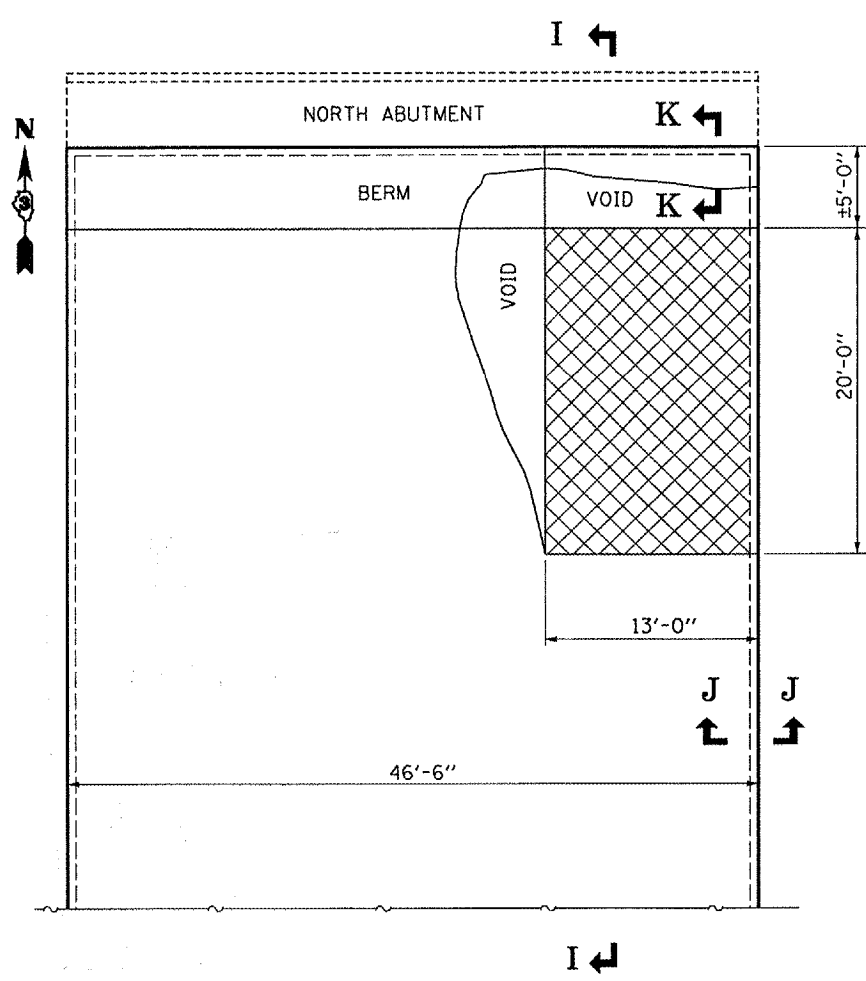
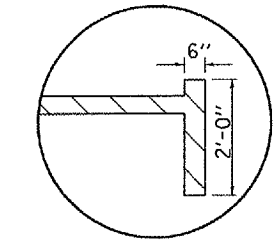


F.A.I. RTE.	SECTION	COUNTY	TOTAL SHEETS	SHEET NO.
180	(06-2B-1)I	BUREAU	14	14

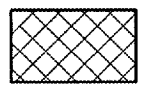


**SECTION K-K**

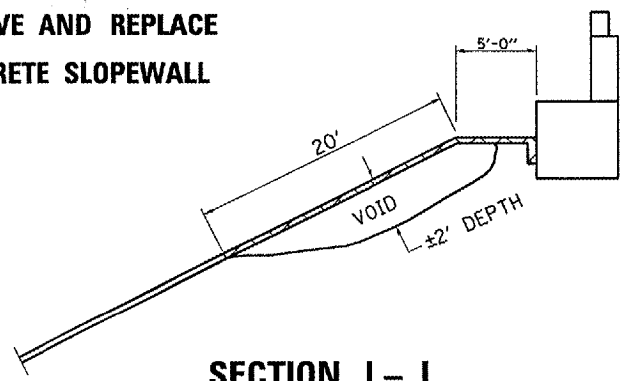


**SECTION J-J**

**PLAN**

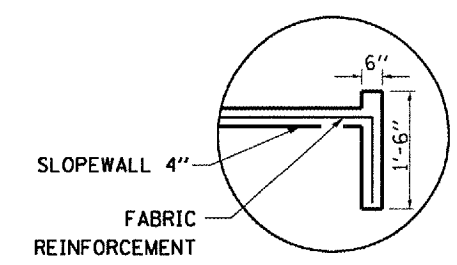


REMOVE AND REPLACE  
CONCRETE SLOPEWALL

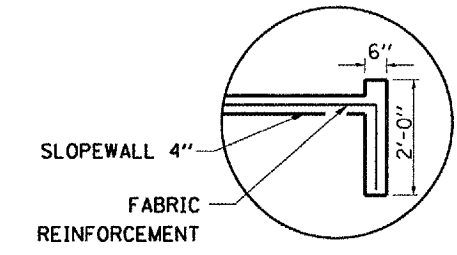


**SECTION I-I**

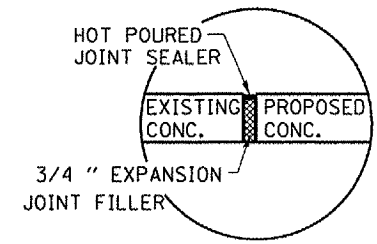
**EXISTING DETAILS**



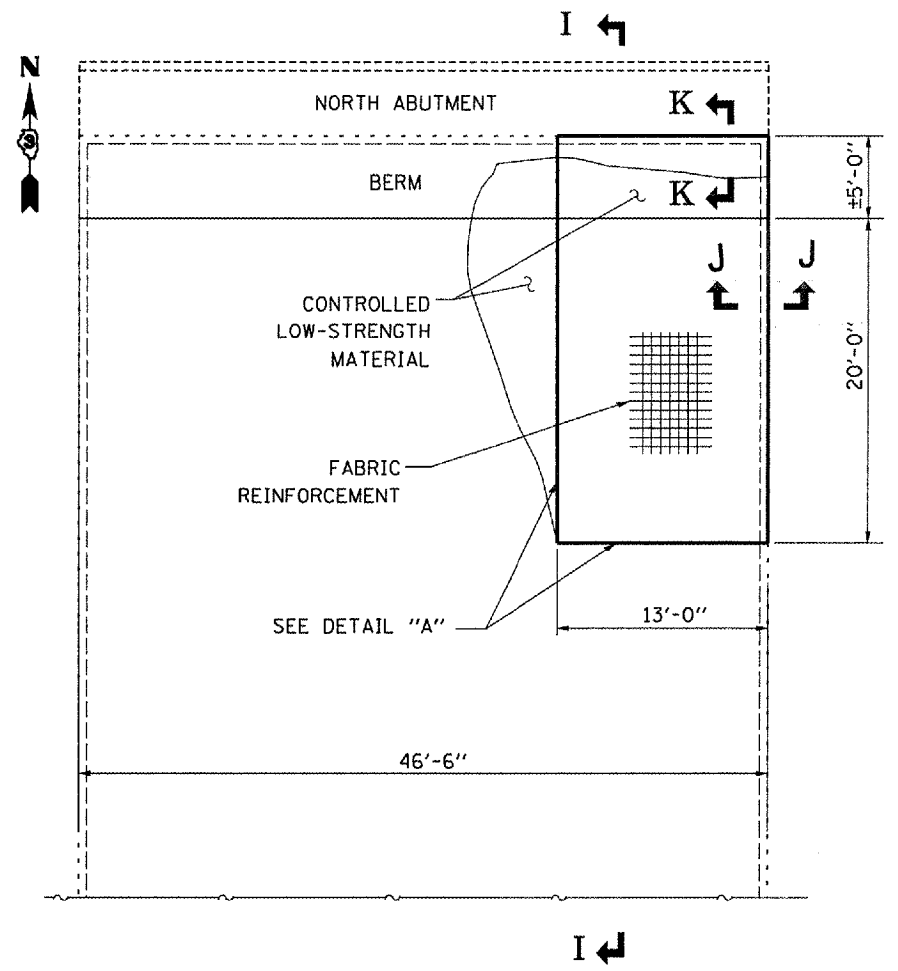
**SECTION K-K**



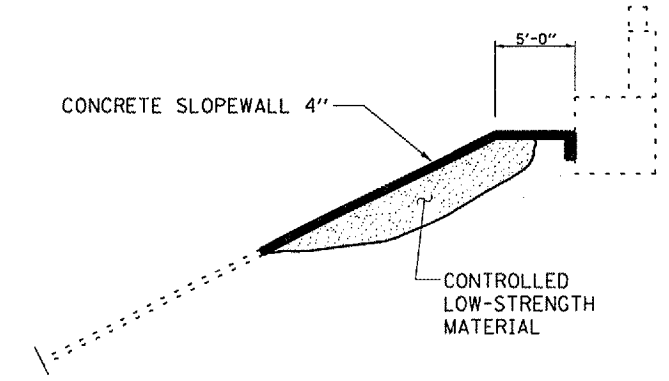
**SECTION J-J**



**DETAIL "A"**



**EXISTING PLAN**



**SECTION I-I**

**PROPOSED DETAILS**

REVISIONS	
NAME	DATE

ILLINOIS DEPARTMENT OF TRANSPORTATION  
**SLOPEWALL DETAILS AT N. ABUT.**  
 FAI ROUTE 180 SECTION (06-2B-1)I  
 BUREAU COUNTY  
 STA. 521+42  
 S.N. 006-0052 NB

Date: April 5, 2007  
 c:/projects/cm312/details.dgn