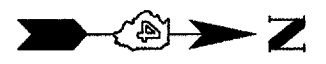


F.A.P. RTE.	SECTION	COUNTY	TOTAL SHEETS	SHEET NO.
317	46-1RS-7	PEORIA	62	18
STA.		TO STA.		
FED. ROAD DIST. NO.		ILLINOIS	FED. AID PROJECT	

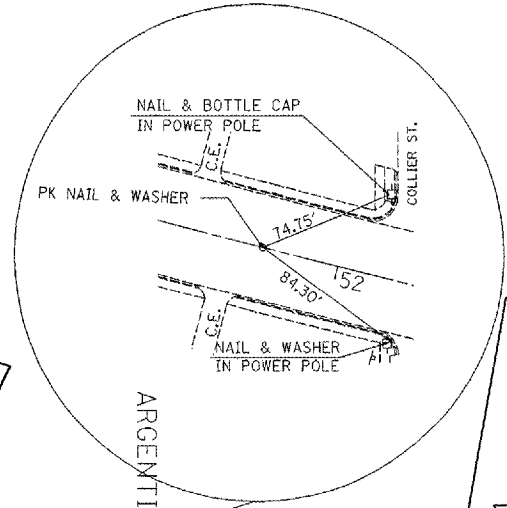
TIES TO P.T. STA. 61+78.83

TIES TO P.O.T. STA. 40+08.83

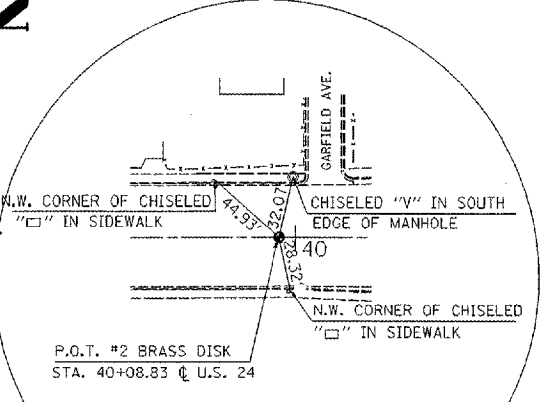
TIES TO P.O.T. STA. 35+10.53



STA. 61+36.30
FAP 317 (US 24) =
☉ ROSARIA AVE.

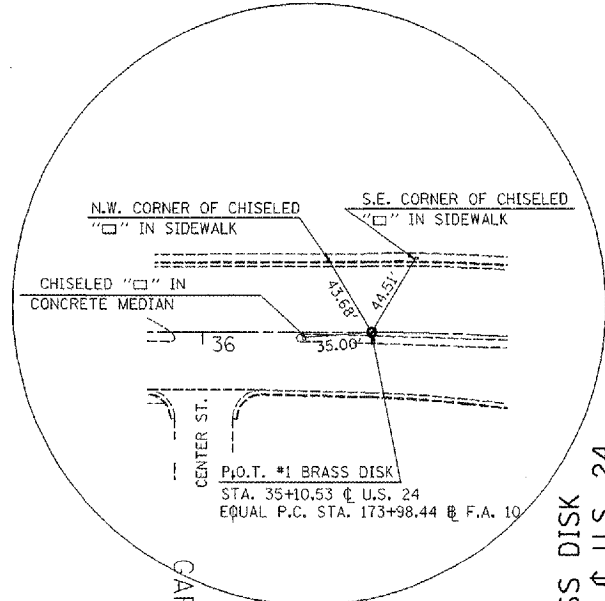


STA. 54+77.70
FAP 317 (US 24) =
☉ WEST PERU ST.



STA. 51+48
FAP 317 (US 24) =
☉ WEST COLLIER ST.

STA. 45+83.30
FAP 317 (US 24) =
☉ WEST BOLIVIA ST.



STA. 48+49
FAP 317 (US 24) =
☉ BRAZIL ST.

STA. 39+83.65
FAP 317 (US 24) =
☉ GARFIELD ST.

STA. 58+07.92
FAP 317 (US 24) =
☉ ARGENTINA ST.

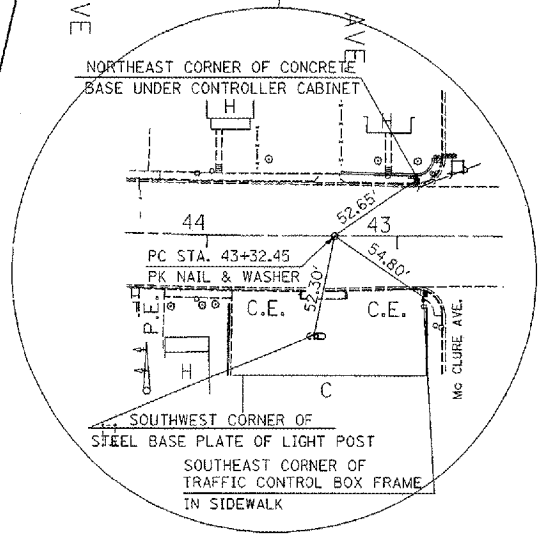
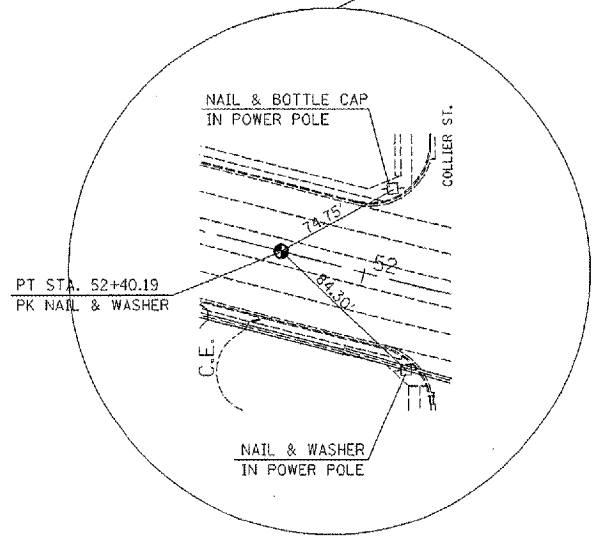
STA. 54+77.30
FAP 317 (US 24) =
☉ EAST PERU ST.

STA. 51+48.40
FAP 317 (US 24) =
☉ EAST COLLIER ST.

STA. 45+84.91
FAP 317 (US 24) =
☉ EAST BOLIVIA ST.

STA. 42+61.10
FAP 317 (US 24) =
☉ McCLURE ST.

STA. 35+90.09
FAP 317 (US 24) =
☉ CENTER ST.



TIES TO P.T. STA. 52+40.19

TIES TO P.C. STA. 43+35.45

REVISIONS	
NAME	DATE

ILLINOIS DEPARTMENT OF TRANSPORTATION

TIE POINTS

SCALE: VERT. HORIZ. DATE

DRAWN BY CHECKED BY

PLOT DATE = 4/26/2007
 FILE NAME = c:\pro\peoria\us24\barry\plan\stpts.dgn
 PLOT SCALE = 48.0000' / 1" IN.
 USER NAME = oonoverp