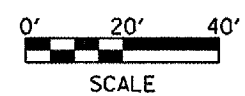
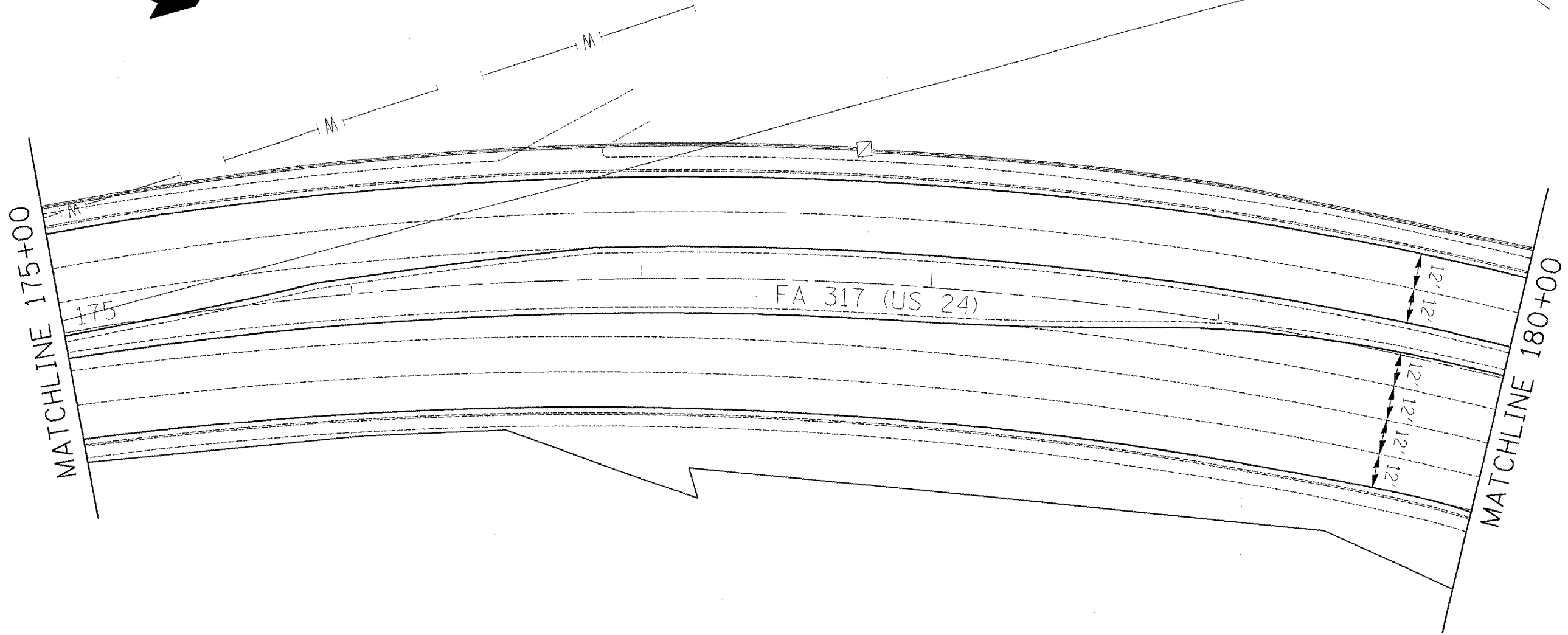
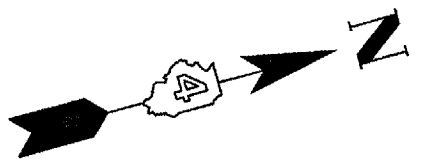


CONTRACT NO. 68469

F.A.P. RTE.	SECTION	COUNTY	TOTAL SHEETS	SHEET NO.
317	(46-1)RS-7	PEORIA	62	40
STA.		TO STA.		
FED. ROAD DIST. NO.		ILLINOIS FED. AID PROJECT		



PLOT DATE = 8/3/2007  
 FILE NAME = c:\projects\175+00\175+00.dgn  
 PLOT SCALE = 48.0000 / 1 IN.  
 USER NAME = c:\users\j...

REVISIONS	
NAME	DATE

ILLINOIS DEPARTMENT OF TRANSPORTATION  
**PROPOSED**  
**PLAN SHEETS**  
**STA 175+00 - 180+00**

SCALE: VERT. \_\_\_\_\_  
 HORIZ. \_\_\_\_\_  
 DATE \_\_\_\_\_

DRAWN BY \_\_\_\_\_  
 CHECKED BY \_\_\_\_\_