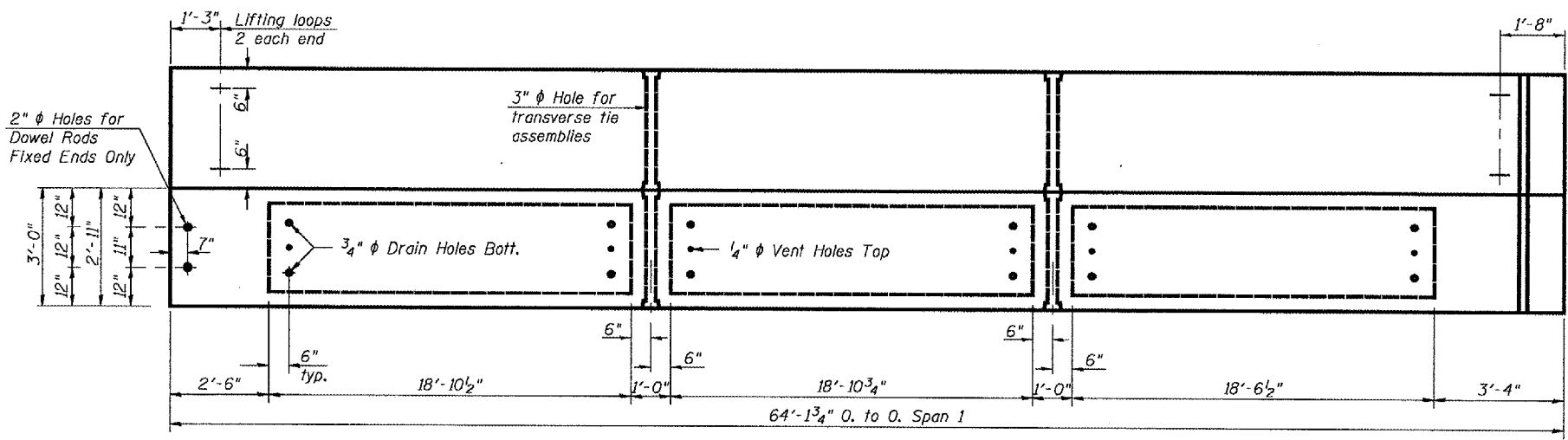
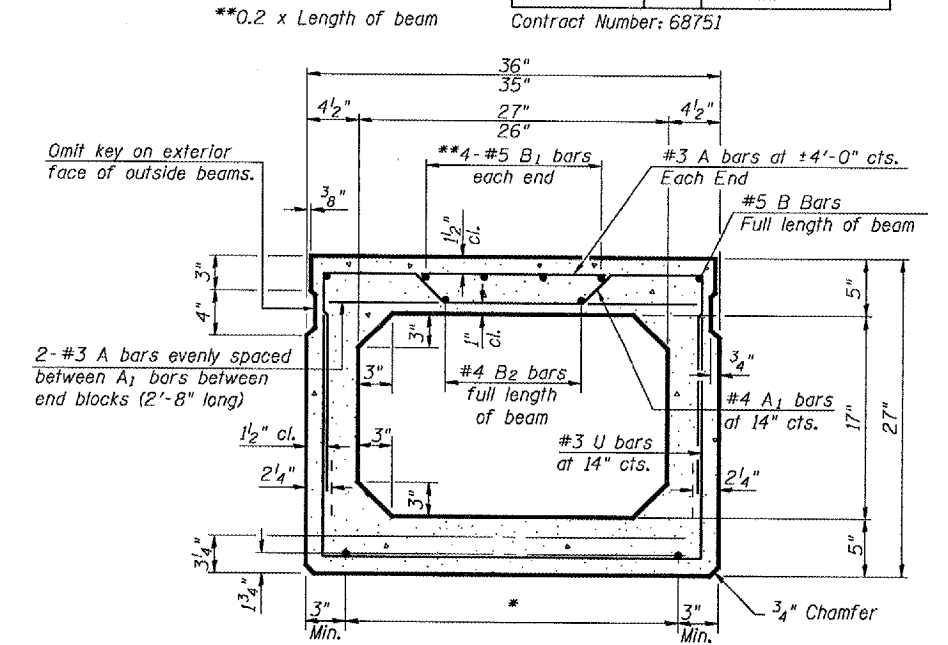
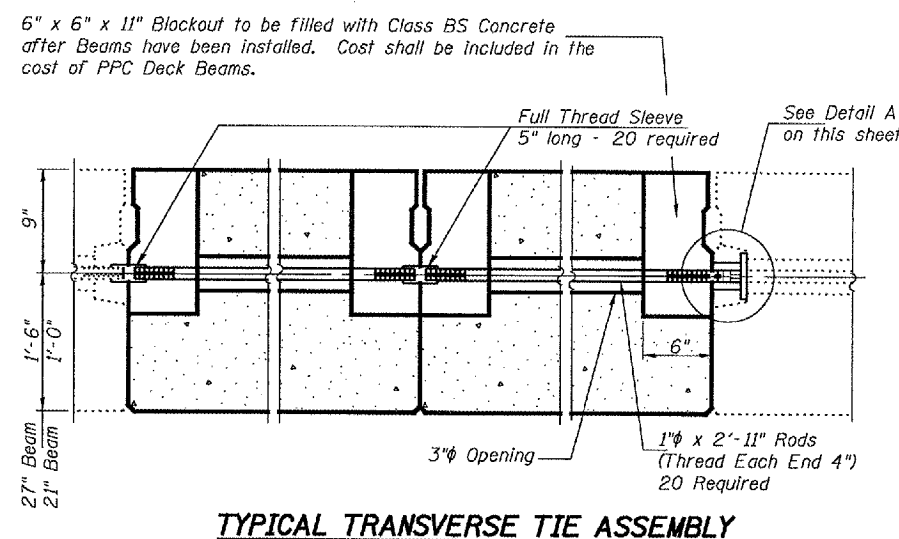
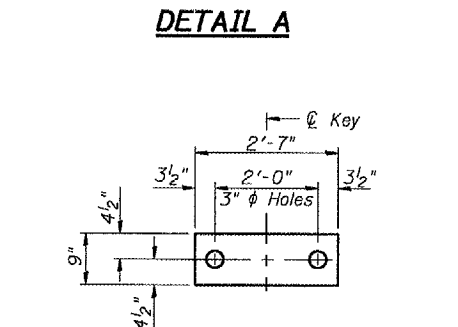
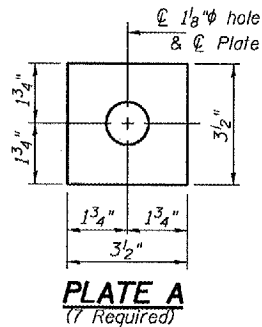
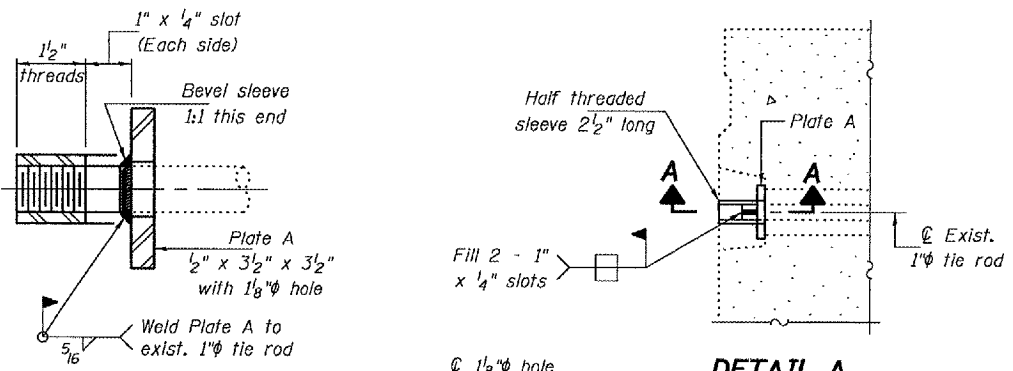


STATE OF ILLINOIS
DEPARTMENT OF TRANSPORTATION

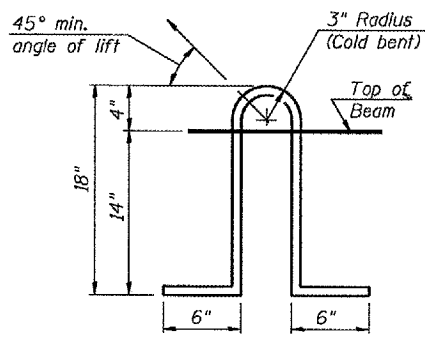
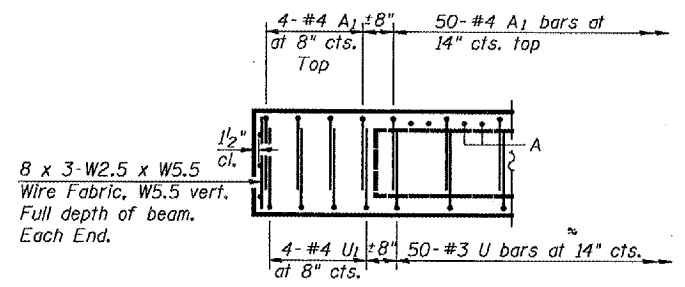
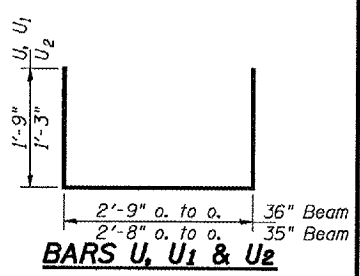
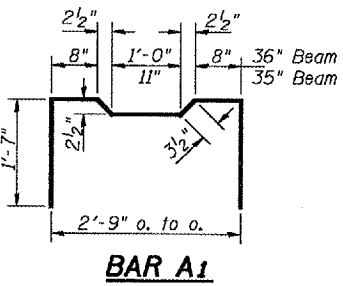
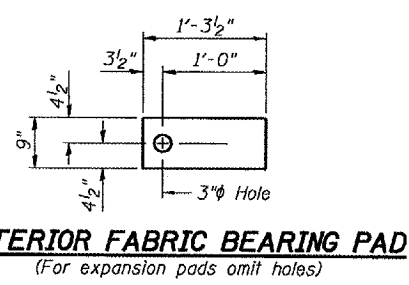
ROUTE NO.	SECTION	COUNTY	SHEET NO.	SHEET NO. 2
		Peoria	20	15
FED. ROAD DIST. NO. 7	ILLINOIS	FED. AID PROJECT	Contract Number: 68751	



* TRANSVERSE PLACEMENT GUIDELINES

1. Place strands symmetrically about centerline of beam.
2. The minimum distance from center to center of strands in all directions shall be 2".
3. The minimum clearance from strand to dowel hole shall be 1/2".
4. The minimum clearance from strand to void shall be 1/2".

Vertical placement of strands shall not be adjusted to satisfy the above guidelines.



NOTES

Prestressing steel shall be uncoated high strength, low relaxation 7-wire strand, Grade 270. The nominal diameter shall be 1/2" and the nominal cross-sectional area shall be 0.153 sq. in. Lifting loops shall be 2-1/2" for Spans 3 and 4 and 5/8" for Span 1 - 270 ksi strands, as shown. The 1" rods in the transverse tie assembly shall be tightened to a snug fit and the threads set. Pockets that receive transverse tie bar on outside shall be filled with grout after transverse tie assembly is in place.

Non prestressing steel shall conform to ASTM A 706 (IL MOD), Grade 60.

The bearing seat surfaces shall be adjusted by shimming to assure firm and even bearing. Two 9" x 9" x 1/8" fabric adjusting shims shall be provided for each bearing.

Keyway surfaces shall be cleaned to remove form oil or other bond breaking material prior to shipment of the beams. Cleaning shall be done by sandblasting the keyway areas between top of the beam and the bottom edge of the key.

Corrosion Inhibitor, per Article 1020.05(b)(12) of the Standard Specifications, shall be used in the concrete for precast prestressed concrete deck beams.

Required Release Strength, f'ci, shall be 4,000 p.s.i.

BILL OF MATERIAL

PPC Deck Beams (21" Depth)	Sq. Ft.	1,225
PPC Deck Beams (27" Depth)	Sq. Ft.	957

SPAN 1 BEAM DETAILS
F.A.S. RT.384
PEORIA COUNTY
SN 072-0047

DESIGNED V.H.V.	EXAMINED <i>Carl Proyer</i>
CHECKED S.J.B.	PASSED <i>Ralph E. Anderson</i>
DRAWN Drew Christopher	
CHECKED V.H.V. S.J.B.	

June 21, 2007
11-1-06
PD-5-S
SLT-94-001-07