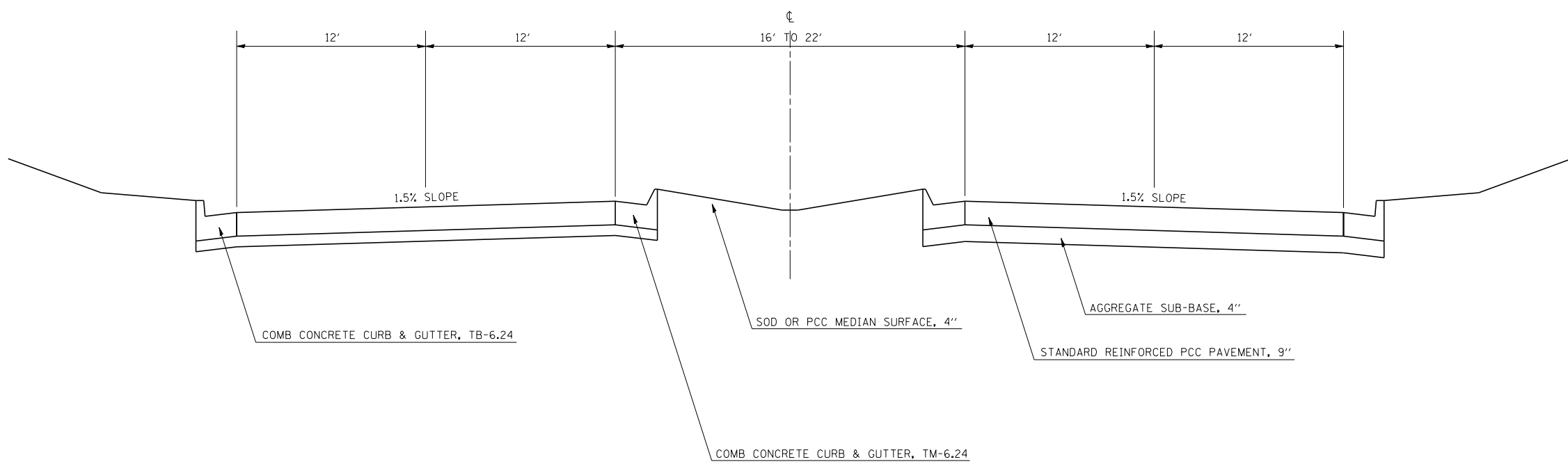


| F.A.P. RTE. | SECTION | COUNTY | TOTAL SHEETS | SHEET NO. |
|-------------|---------|--------|--------------|-----------|
| 730 | | MCLEAN | 10 | 6 |

CONTRACT NO. 70637
 • D5 PATCHING 2008-2

EXISTING TYPICAL CROSS SECTION ③

- ② NB STA. 257+79.97 TO STA. 267+46.61 ④
- ④ NB STA. 271+84.77 TO STA. 315+51.57 ⑤
- ① SB STA. 258+01.05 TO STA. 315+51.57 ⑤



EXISTING TYPICAL CROSS SECTION ④

- ③ NB STA. 267+46.61 TO STA. 271+84.77 ③

