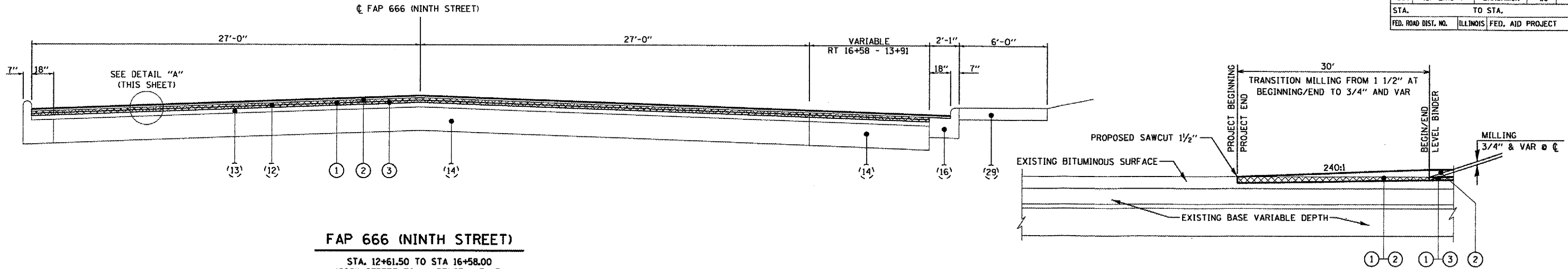
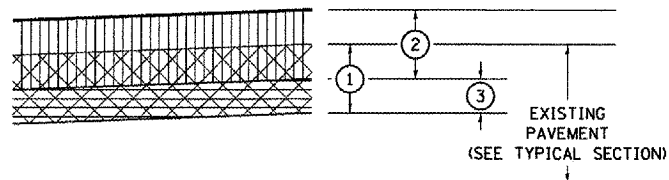


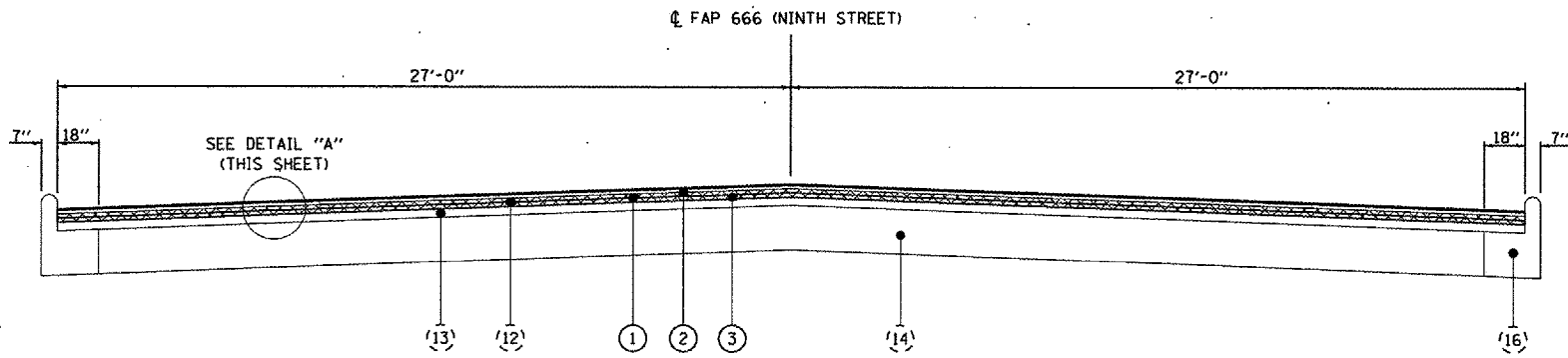
F.A.P. RTE.	SECTION	COUNTY	TOTAL SHEETS	SHEET NO.
666	(SP-2)RS-4	SANGAMON	80	9
STA.		TO STA.		
FED. ROAD DIST. NO.		ILLINOIS FED. AID PROJECT		



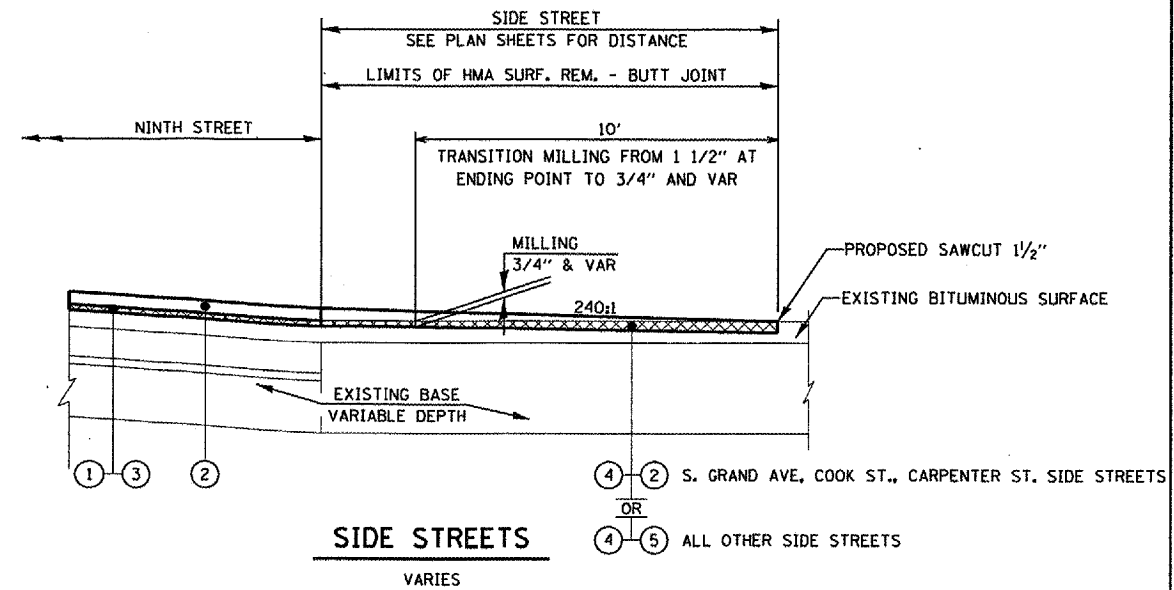
FAP 666 (NINTH STREET)
STA. 12+61.50 TO STA 16+58.00
(COOK STREET TO LAWRENCE AVENUE)



DETAIL "A"



FAP 666 (NINTH STREET)
STA. 16+58.00 TO STA 40+46.14
(LAWRENCE AVENUE TO SOUTH GRAND AVENUE)



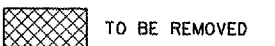
SIDE STREETS
VARIES

EXISTING LEGEND

- | | | |
|--|--|--|
| (1) EXISTING BITUMINOUS CONCRETE OVERLAY | (11) EXISTING P.C.C. SIDEWALK | (21) EXISTING BITUMINOUS RESURFACING ±3" |
| (2) EXISTING LEVELING BINDER | (12) EXISTING BITUMINOUS CONCRETE SURFACE COURSE, MIX "E", CLASS 1, TYPE 2, 1 1/2" | (22) EXISTING BRICK PAVEMENT ±3" |
| (3) EXISTING BRICK COURSE | (13) EXISTING BITUMINOUS RESURFACING, 1 1/2" | (23) EXISTING CONCRETE BASE ±6" |
| (4) EXISTING SAND CUSHION 1" | (14) EXISTING P.C.C. PAVEMENT, 8" | (24) EXISTING BRICK ±2 1/2" |
| (5) EXISTING CONCRETE BASE COURSE 7" | (15) EXISTING P.C.C. PAVEMENT, 10" | (25) EXISTING BRICK ±3 3/4" |
| (6) EXISTING CONCRETE BASE COURSE | (16) EXISTING CONCRETE CURB AND GUTTER | (26) EXISTING SAND ±3/4" |
| (7) EXISTING CONCRETE CURB TYPE B | (17) EXISTING BRICK PAVEMENT OVER 6" CONC. BASE | (27) EXISTING SAND ±1 3/4" |
| (8) EXISTING COMBINATION CONCRETE CURB & GUTTER TYPE B-6.24 (MODIFIED) | (18) EXISTING 4" GRANULAR SUB-BASE | (28) EXISTING P.C.C. CONCRETE WIDENING ±7" |
| (9) EXISTING EXPANSION TIE ANCHORS 3/4" | (19) EXISTING CONCRETE CURB | (29) EXISTING P.C.C. SIDEWALK, 4" |
| (10) EXISTING # 4 TIE BARS | (20) EXISTING BITUMINOUS RESURFACING ±2 1/2" | (30) EXISTING RAIL |

PROPOSED LEGEND

- (1) PROPOSED HOT-MIX ASPHALT SURFACE REMOVAL, VARIABLE DEPTH
- (2) PROPOSED POLYMERIZED HOT-MIX ASPHALT SURFACE COURSE, MIX "D", N70 1 1/2"
- (3) PROPOSED LEVELING BINDER (MACHINE METHOD), N70 3/4"
- (4) PROPOSED HOT-MIX ASPHALT SURFACE REMOVAL - BUTT JOINT
- (5) PROPOSED INCIDENTAL HOT-MIX ASPHALT SURFACING



REVISIONS	
NAME	DATE

ILLINOIS DEPARTMENT OF TRANSPORTATION
TYPICAL SECTIONS
FAP 666 (I-55 BUS. LOOP - NINTH STREET)

SCALE: VERT. NONE
HORIZ. NONE
DATE 07/25/06
DRAWN BY BDS
CHECKED BY SRD