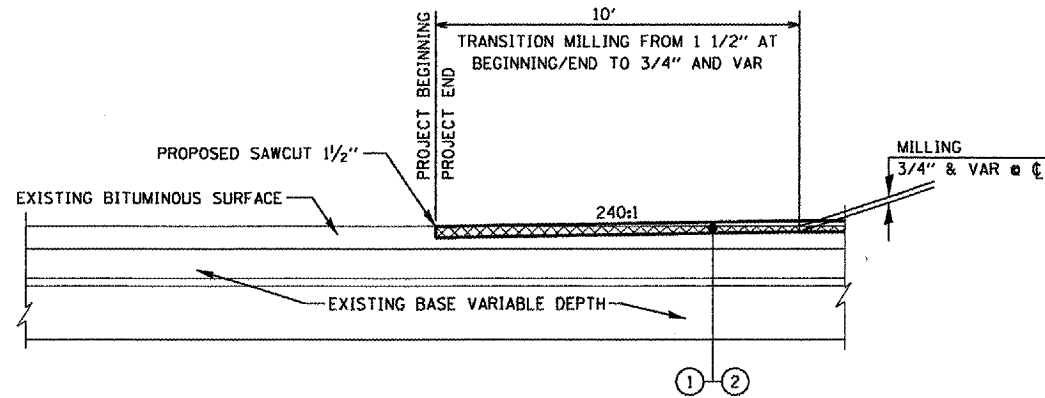
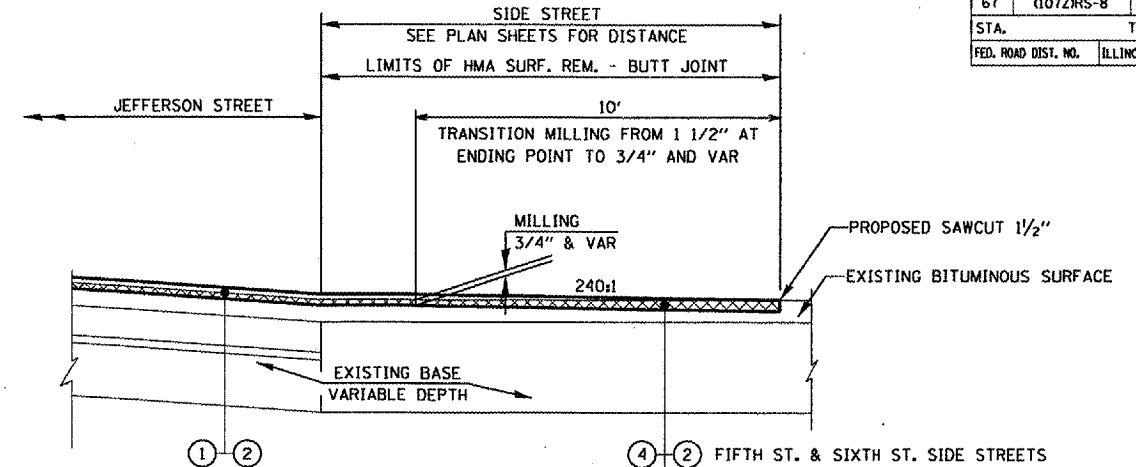


F.A.P. RTE.	SECTION	COUNTY	TOTAL SHEETS	SHEET NO.
67	(107)RS-8	SANGAMON	80	12
STA. TO STA.		ILLINOIS FED. AID PROJECT		



FAP 67 (WEST JEFFERSON STREET)

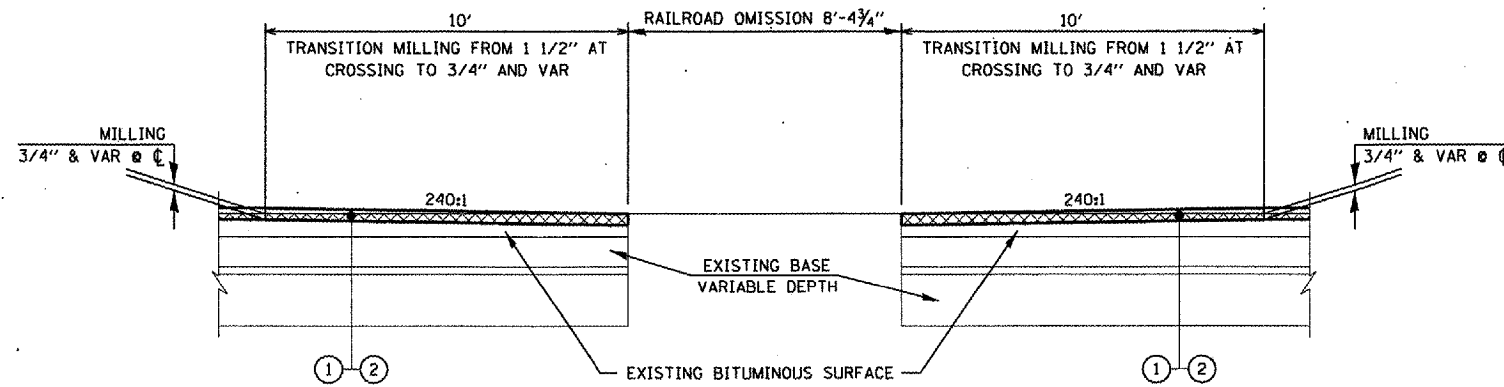
PROJECT BEGINNING - STA 0+50.50
PROJECT END - STA 40+68.06



SIDE STREETS

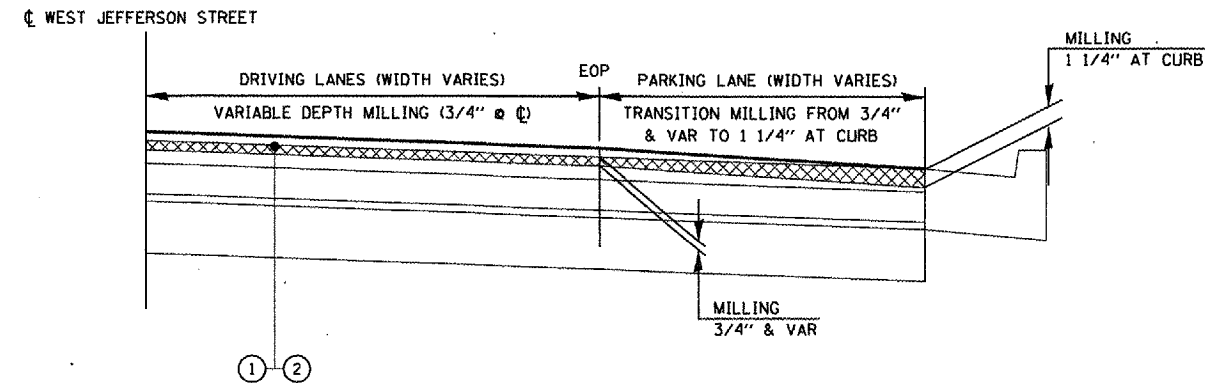
VARIES

NOTE: SAWCUTS INCLUDED IN HOT-MIX ASPHALT REMOVAL (VARIABLE DEPTH)



FAP 67 (WEST JEFFERSON STREET)

RAIL OMISSIONS
STA 9+38.94 TO STA 9+47.29
STA 36+50.21 TO STA 36+58.81



FAP 67 (WEST JEFFERSON STREET)

MILLING DETAIL AT CURB

EXISTING LEGEND

- | | | |
|--|--|---|
| (1) EXISTING BITUMINOUS CONCRETE OVERLAY | (11) EXISTING P.C.C. SIDEWALK | (21) EXISTING BITUMINOUS RESURFACING ±3" |
| (2) EXISTING LEVELING BINDER | (12) EXISTING BITUMINOUS CONCRETE SURFACE COURSE, MIX "E", CLASS 1, TYPE 2, 1 1/2" | (22) EXISTING BRICK PAVEMENT ±3" |
| (3) EXISTING BRICK COURSE | (13) EXISTING BITUMINOUS RESURFACING, 1 1/2" | (23) EXISTING CONCRETE BASE ±6" |
| (4) EXISTING SAND CUSHION 1" | (14) EXISTING P.C.C. PAVEMENT, 8" | (24) EXISTING BRICK ±2 1/2" |
| (5) EXISTING CONCRETE BASE COURSE 7" | (15) EXISTING P.C.C. PAVEMENT, 10" | (25) EXISTING BRICK ±3 3/4" |
| (6) EXISTING CONCRETE BASE COURSE | (16) EXISTING CONCRETE CURB AND GUTTER | (26) EXISTING SAND ±3/4" |
| (7) EXISTING CONCRETE CURB TYPE B | (17) EXISTING BRICK PAVEMENT OVER 6" CONC. BASE | (27) EXISTING SAND ±1 3/4" |
| (8) EXISTING COMBINATION CONCRETE CURB & GUTTER TYPE B-6.24 (MODIFIED) | (18) EXISTING 4" GRANULAR SUB-BASE | (28) EXISTING P.C.C. CONCRETE WIDENING ±7" |
| (9) EXISTING EXPANSION TIE ANCHORS 3/4" | (19) EXISTING CONCRETE CURB | (29) EXISTING P.C.C. SIDEWALK, 4" |
| (10) EXISTING # 4 TIE BARS | (20) EXISTING BITUMINOUS RESURFACING ±2 1/2" | (30) EXISTING RAIL |
| | | (31) EXISTING AREA CRACK CONTROL (SEE GENERAL NOTE #24) |

PROPOSED LEGEND

- (1) PROPOSED HOT-MIX ASPHALT SURFACE REMOVAL, VARIABLE DEPTH
- (2) PROPOSED POLYMERIZED HOT-MIX ASPHALT SURFACE COURSE, MIX "D", N70 1 1/2"
- (3) PROPOSED LEVELING BINDER (MACHINE METHOD), N70 3/4"
- (4) PROPOSED HOT-MIX ASPHALT SURFACE REMOVAL - BUTT JOINT
- (5) PROPOSED INCIDENTAL HOT-MIX ASPHALT SURFACING

TO BE REMOVED

REVISIONS	
NAME	DATE

ILLINOIS DEPARTMENT OF TRANSPORTATION

TYPICAL SECTIONS
FAP 67 (IL 97/IL 29 - JEFFERSON STREET)

SCALE: VERT. NONE
HORIZ. NONE
DATE 07/25/06

DRAWN BY BDS
CHECKED BY SRD

PLOT DATE = 2/16/2007
 FILE NAME = c:\projects\655833\11a\final\Jefferson-typicalsections.dgn
 PLOT SCALE = 42,3529 / IN.
 USER NAME = laughtlin