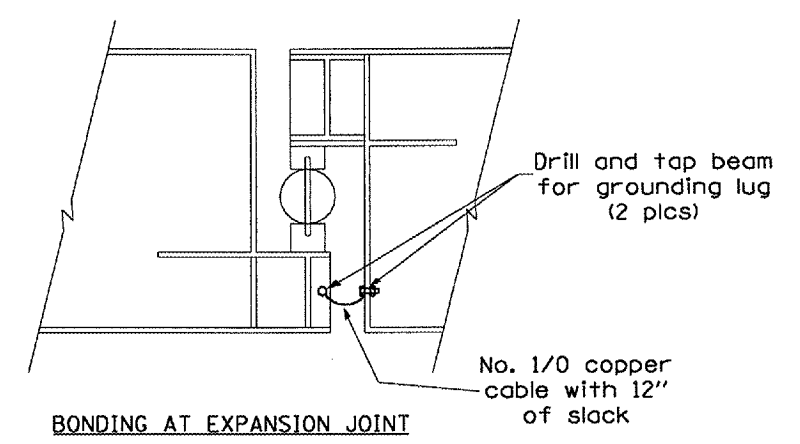
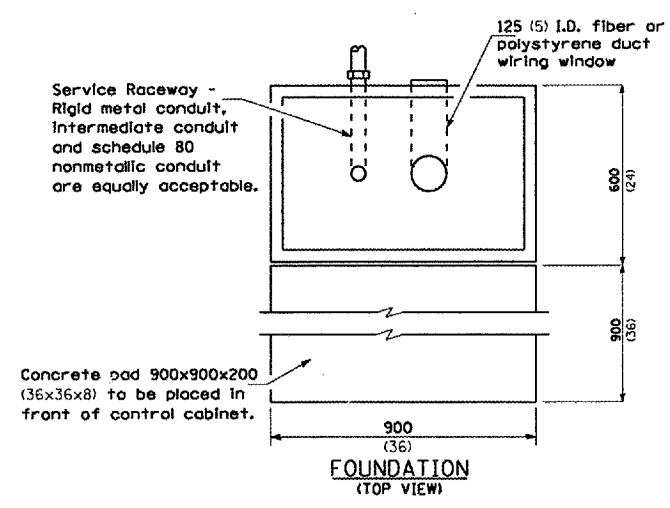
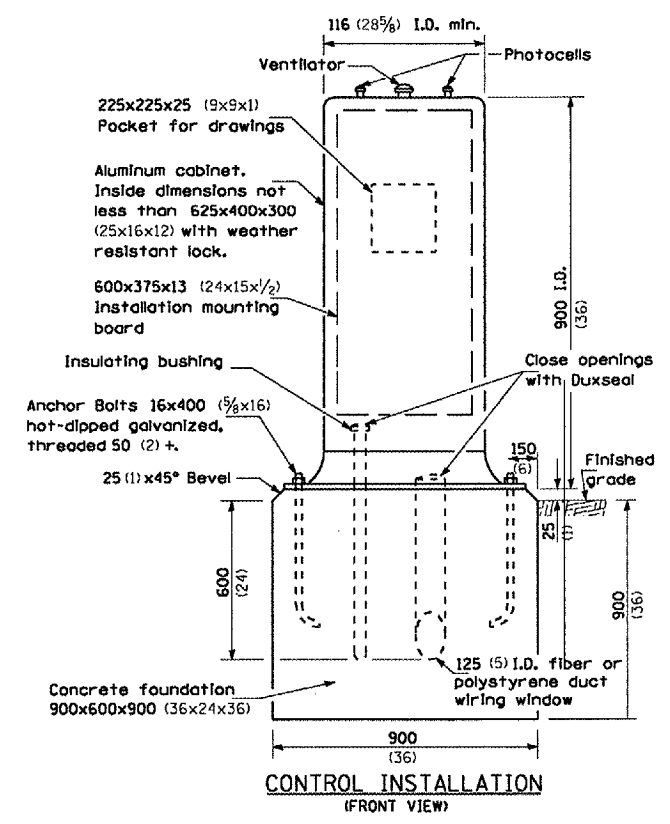
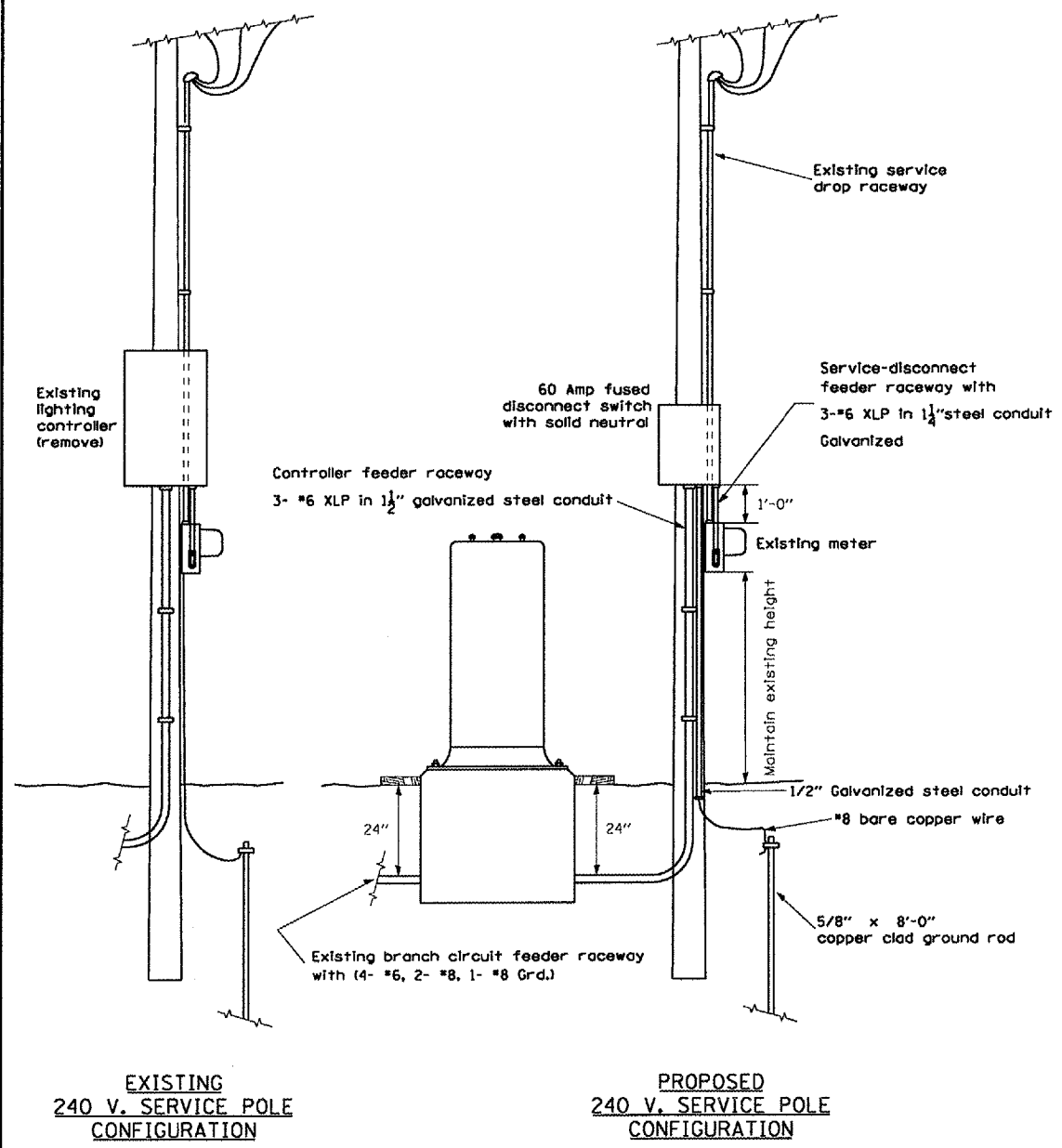
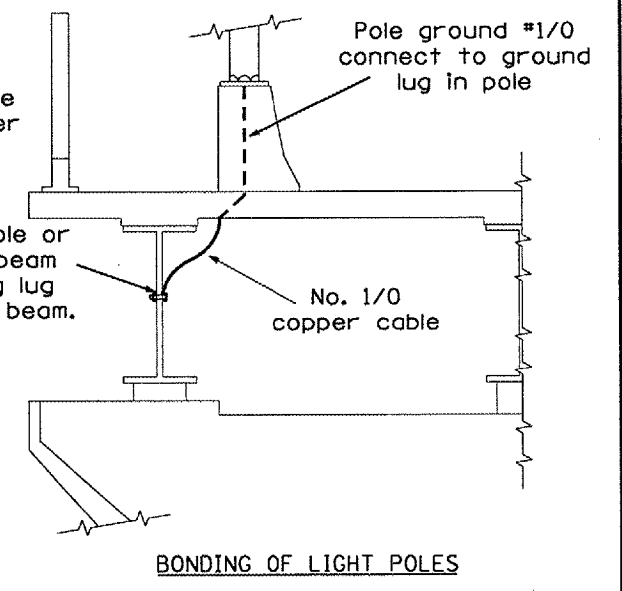


CONTRACT NO. T2A69				
F.A.P. R.T.E.	SECTION	COUNTY	TOTAL SHEETS	SHEET NO.
315	Q284L	HANCOCK	13	12
STA.	TO STA.			
FED. ROAD DIST. NO.	ILLINOIS FED. AID PROJECT			



NOTE:
Sidewalk side of roadway shown, pole grounding for other side similar



Wiring shall be panel board fashion.
All bends shall be right angles.
All runs shall be vertical or parallel to panel board.
Wires shall be grouped or laced.
All control installation components shall be U.L. listed.
Label equipment ground and neutral.
Raceways shall terminate 75 (3) above top of concrete foundation.
All dimensions are in millimeters unless otherwise shown.

PLT DATE * DATES
FILE NAME * #FILES
PLT SCALE * #Scales
USER NAME * #USERS

JLGT004

REVISIONS		ILLINOIS DEPARTMENT OF TRANSPORTATION
NAME	DATE	
		CONTROL INSTALLATION DUAL

SCALE: VERT. DRAWN BY
 HORIZ. CHECKED BY
DATE