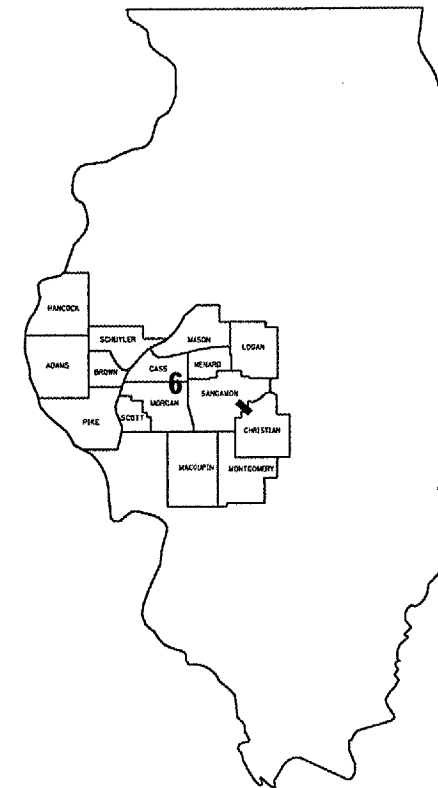
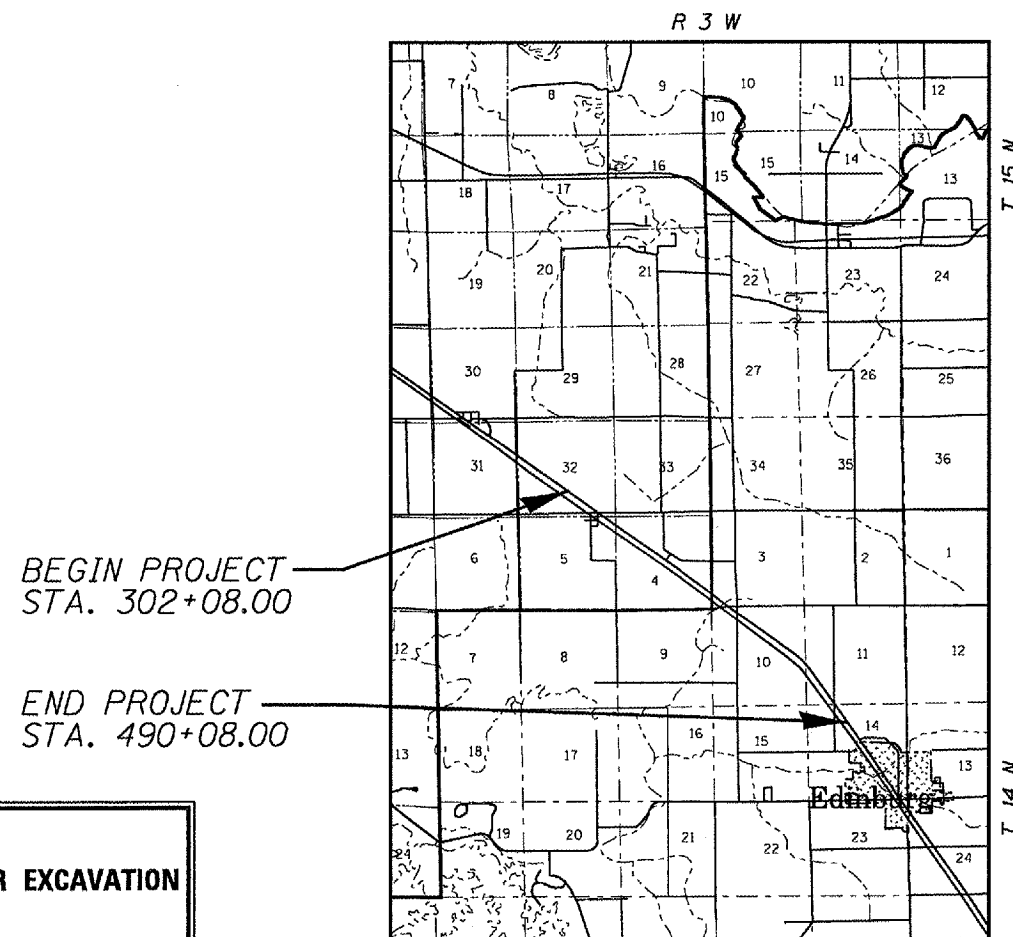


FOR INDEX OF SHEETS AND HIGHWAY  
STANDARDS, SEE SHEET 2.

STATE OF ILLINOIS  
DEPARTMENT OF TRANSPORTATION  
DIVISION OF HIGHWAYS  
**PLANS FOR PROPOSED  
CONTRACT MAINTENANCE**  
**FAP ROUTE 75 (IL 29)**  
**SECTION 5RS-7 & 6RS-7**  
**SANGAMON/CHRISTIAN COUNTY**  
**C96-111-07 / D96-111-07**



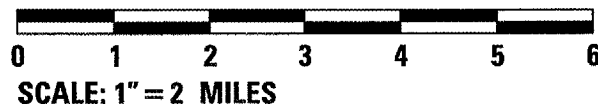
LOCATION OF SECTION INDICATED THUS: ■



**J. U. L. I. E.**  
**JOINT UTILITY LOCATION INFORMATION FOR EXCAVATION**  
1-800-892-0123

PLANS & CONTRACT TECHNICIAN: TIMOTHY SHARP  
PHONE: (217) 782-7743

NET LTH OF SEC 18,800.00 FT = 3.561 MILE



**CONTRACT NO. 72B34**

STATE OF ILLINOIS  
DEPARTMENT OF TRANSPORTATION  
DIVISION OF HIGHWAYS

SUBMITTED May 29, 20 07

Cliff M. Freedman  
DEPUTY DIRECTOR OF HIGHWAYS, REGION FOUR ENGINEER

June 29, 20 07  
Eric E. Harm  
Interim ENGINEER OF DESIGN AND ENVIRONMENT

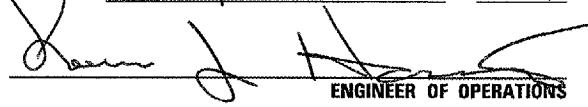


June 29, 20 07  
Milton R. Sees, P.E.  
DIRECTOR, DIVISION OF HIGHWAYS

INDEX

- 1 COVER
- 2 INDEX/STANDARDS/SIGNATURES
- 3-4 QUANTITIES
- 5 TYPICAL SECTIONS
- 6 SCHEDULES
- 7 BUTT JOINT DETAILS

STANDARDS

- 701001-01
- 701006-02
- 701011-01
- 701306-01
- 701311-02
- 702001-06
- 780001-01
- 781001-02

<b>STATE OF ILLINOIS DEPARTMENT OF TRANSPORTATION DIVISION OF HIGHWAYS DISTRICT 6</b>	
EXAMINED <u>May 25</u> 20 <u>07</u>	 ENGINEER OF OPERATIONS
EXAMINED <u>May 21</u> 20 <u>07</u>	 ENGINEER OF PROGRAM IMPLEMENTATION
EXAMINED <u>May 22</u> 20 <u>07</u>	 ENGINEER OF PROGRAM DEVELOPMENT

NOTES:

NO PASSING ZONES TO BE FIELD VERIFIED BY THE BUREAU OF OPERATIONS.  
THE RESIDENT ENGINEER SHALL NOTIFY THE BUREAU OF OPERATIONS 14 DAYS  
PRIOR TO PERMANENT PAVEMENT MARKING.

MILLINGS FROM THIS PROJECT WILL BE THE PROPERTY OF I.D.O.T. AND SHOULD  
BE DELIVERED TO THE TAYLORVILLE YARD. - CONTACT PERSON DEAN KORSMEYER - (217)836-5047.

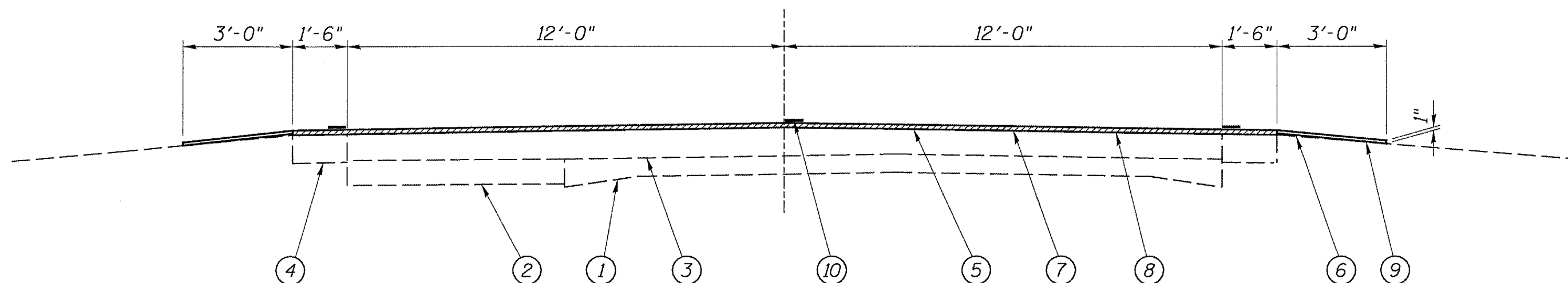
INDEX/STANDARDS/SIGNATURES  
FAP 75 (IL 29)  
SECTION 5RS-7, 6RS-7  
SANGAMON/CHRISTIAN COUNTY

S U M M A R Y O F Q U A N T I T I E S

CODE NO.	ITEM	UNIT	100% STATE		
			1000		
			SANGAMON	CHRISTIAN	TOTAL QTY
40600200	BITUMINOUS MATERIALS (PRIME COAT)	TON	11.1	10.3	21.4
40600300	AGGREGATE (PRIME COAT)	TON	58.7	54.1	112.8
40600895	CONSTRUCTING TEST STRIP	EACH	0.5	0.5	1
40600990	TEMPORARY RAMP	SQ YD	15	15	30
40603540	POLYMERIZED HOT-MIX ASPHALT SURFACE COURSE, MIX "D", N70	TON	2,463.8	2,274.2	4,738
44000155	HOT-MIX ASPHALT SURFACE REMOVAL 1 1/2"	SQ YD	29,328	27,072	56,400
48101200	AGGREGATE SHOULDERS, TYPE B	TON	365.6	337.4	703
67100100	MOBILIZATION	L SUM	0.5	0.5	1
70100460	TRAFFIC CONTROL AND PROTECTION, STANDARD 701306	L SUM	0.5	0.5	1
70300100	SHORT-TERM PAVEMENT MARKING	FOOT	1,955	1,805	3,760
70300230	TEMPORARY PAVEMENT MARKING - LINE 5"	FOOT	22,591	22,160	44,751
70301000	WORK ZONE PAVEMENT MARKING REMOVAL	SQ FT	326	301	627

QUANTITIES  
FAP 75 (IL 29)  
SECTION 5RS-7, 6RS-7  
SANGAMON/CHRISTIAN COUNTY





STA. 302+08 TO 490+08

LEGEND

- 1 - EXIST. P.C.C. PAVEMENT, 9"-6"-9"
- 2 - EXIST. BASE COURSE WIDENING 8"
- 3 - EXIST. HOT-MIX ASPHALT 7"
- 4 - EXIST. HOT-MIX ASPHALT SHOULDER 6"
- 5 - EXIST. HOT-MIX ASPHALT SURFACE COURSE 1 1/2"
- 6 - EXIST. AGGREGATE SHOULDERS, TYPE B
- 7 - PROP. HOT-MIX ASPHALT SURFACE REMOVAL 1 1/2"
- 8 - PROP. POLYMERIZED HOT-MIX ASPHALT SURFACE COURSE, MIX D , N70
- 9 - PROP. AGGREGATE SHOULDERS, TYPE B
- 10 - PROP. PAINT PAVEMENT MARKING - LINE 5"

INDEX/STANDARDS/SIGNATURES  
FAP 75 (IL 29)  
SECTION 5RS-7, 6RS-7  
SANGAMON/CHRISTIAN COUNTY

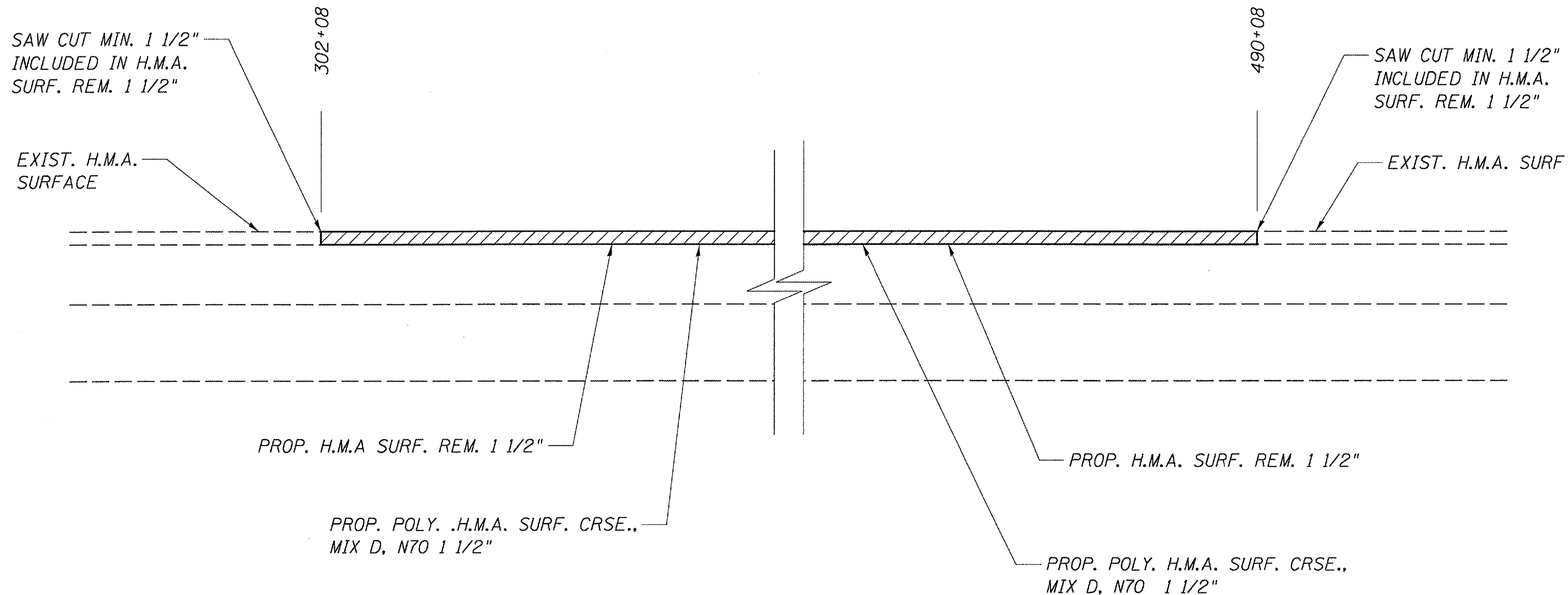
PAVEMENT MARKING SCHEDULE			
STATION	TYPE	PAINT PVT MK LINE 5"	
		WHITE	YELLOW
LT & RT STA. 302+08 TO 490+08	EDGE LINE	37,600 FT	
LT STA. 302+08 TO 309+28	NO PASS		720 FT
RT STA. 302+08 TO 309+28	SKIP DASH		180 FT
STA. 309+28 TO 452+00	SKIP DASH		3,570 FT
RT STA. 452+00 TO 464+14	NO PASS		1,214 FT
LT STA. 452+00 TO 462+15	SKIP DASH		250 FT
LT STA. 462+15 TO 473+43	NO PASS		1,128 FT
RT STA. 464+14 TO 473+43	SKIP DASH		230 FT
STA. 473+43 TO 490+08	SKIP DASH		420 FT
DEDUCT FOR SIDEROAD		(561 FT)	
TOTALS		37,039 FT	7,712 FT

NOTES:

STATIONS ARE APPROXIMATE.

MIXTURE REQUIREMENTS	
THE FOLLOWING MIXTURE REQUIREMENTS ARE APPLICABLE FOR THIS PROJECT	
MIXTURE USE(S):	POLY H.M.A S.C., MIX D, N70
AC/PG	SBS PG 70-22
DESIGN AIR VOIDS:	4.0% @ N DESIGN = 70
MIXTURE COMP:	IL 9.5 OR 12.5
FRICITION AGG:	MIX "D"

SCHEDULES  
FAP 72 (IL 29)  
SECTION 5RS-7, 6RS-7  
SANGAMON/CHRISTIAN COUNTY



BUTT JOINT  
FAP 75 (IL 29)  
SECTION 5RS-7, 6RS-7  
SANGAMON/CHRISTIAN COUNTY