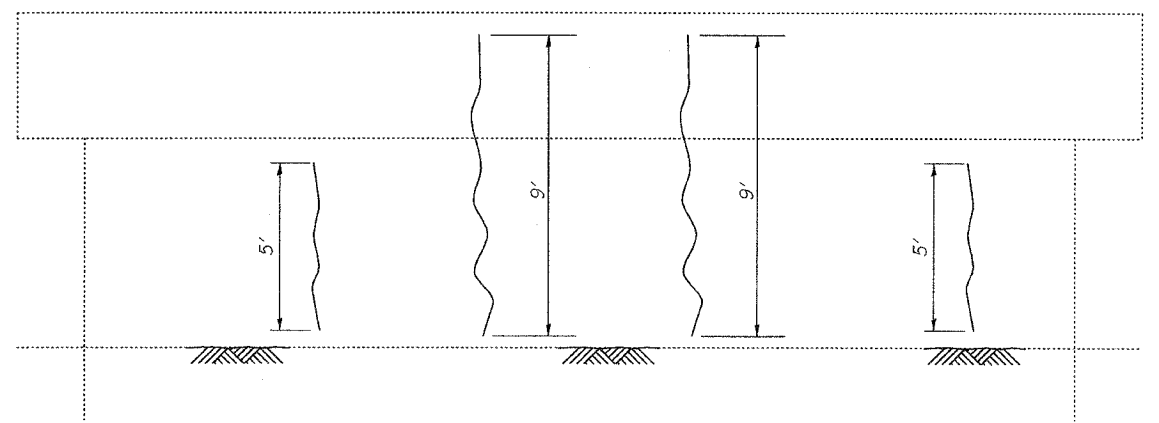




NORTH ABUTMENT
(Looking North)



SOUTH ABUTMENT
(Looking South)

 Structural Repair of Concrete (Depth Greater Than 5")
 Epoxy Crack Injection

BILL OF MATERIAL

Item	Unit	Quantity
Structural Repair of Concrete (Depth Greater Than 5")	Sq. Ft.	7
Epoxy Crack Injection	Foot	45

PLOT DATE = 03/16/07
 FILE NAME = I:\93-005-ent-10-abutment-repair-detailed.dgn
 PLOT SCALE = 28.0000" / 1"
 USER NAME = TFC

ILLINOIS DEPARTMENT OF TRANSPORTATION	
SHEET TITLE	
ABUTMENT REPAIR DETAILS	
PROJECT	PROJECT NO.
FAP 332 OVER BONPAS CREEK	06026
FAP ROUTE 332 (IL 1) SECTION 101B-1	SCALE
WABASH COUNTY	DATE
STATION 149+30	03/15/07
SN 093-0005	DRAWN BY
	TFG
	CHECKED BY
	GB/CME/MCB
DRAWING NO.	
COOMBE-BLOXDORF P.C.	
Engineers / Land Surveyors	
Springfield, Illinois	
Design Firm License No. 184-002703	
10	OF 11 SHTS