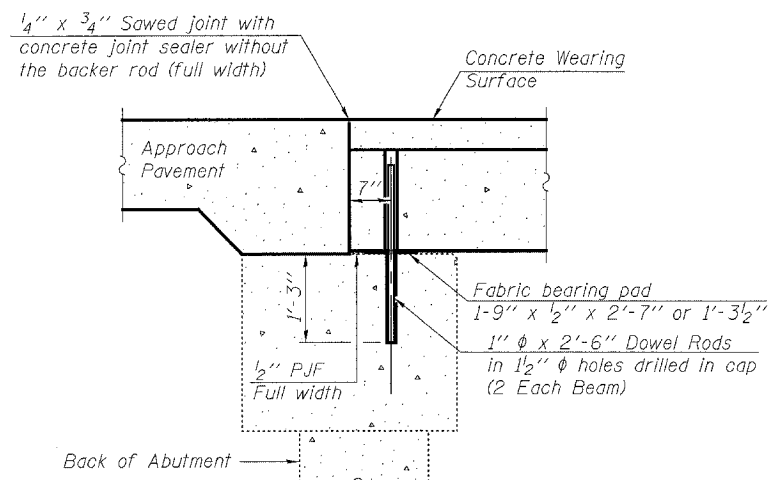


STATE OF ILLINOIS
DEPARTMENT OF TRANSPORTATION

ROUTE NO.	SECTION	COUNTY	SPR. SHEETS	SHEET NO.
F.A.P. 328	(8BR-1) B-1	WAYNE	39	23
FED. ROAD DIST. NO. 7	ILLINOIS	FED. AID PROJECT		

SHEET NO. 7
13 SHEETS

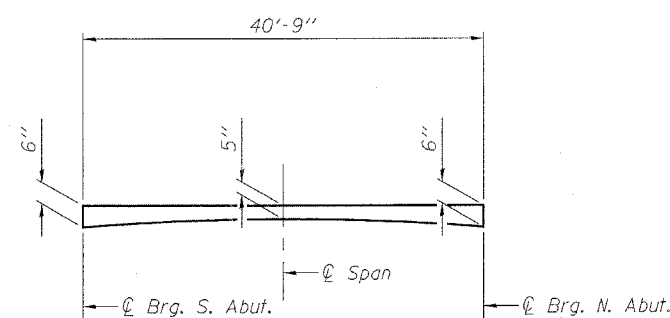
Contract #74041



SECTION THRU ABUTMENT

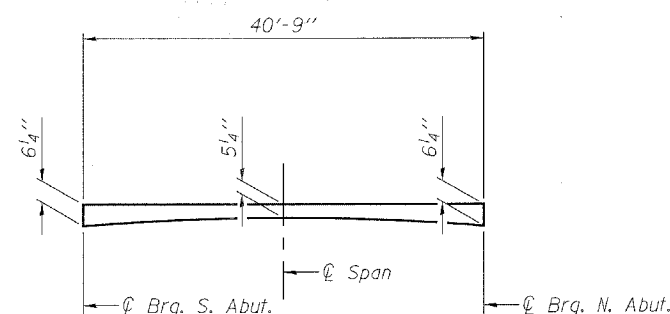
Notes:

After beams have been erected, holes shall be drilled into substructure and anchor dowels placed. Dowel holes shall be filled with non-shrink grout to top of beam and allowed to cure min. 24 hrs. prior to grouting the shear keys.
All horizontal dimensions are at right angles to beam ends.
See sheet 8 of 13 for bearing pad details.



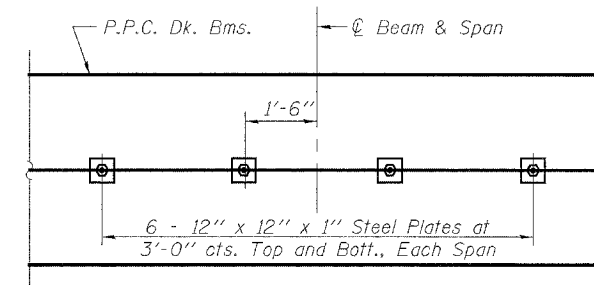
CONCRETE WEARING SURFACE COURSE PROFILE

(Concrete wearing surface course along edge of beams and at stage construction joint)

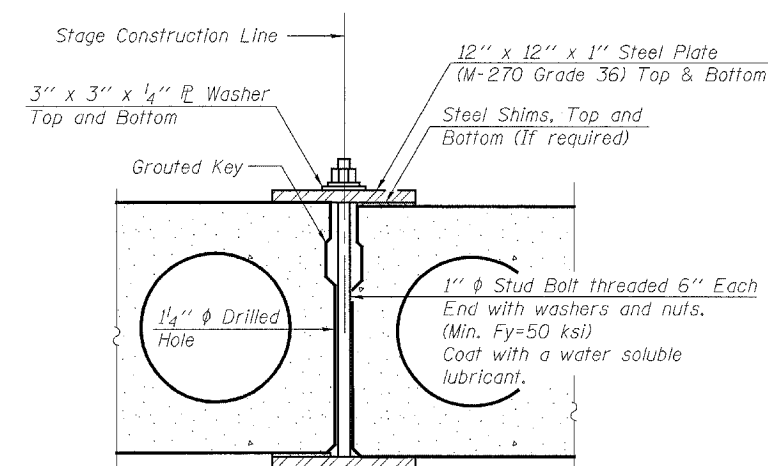


CONCRETE WEARING SURFACE COURSE PROFILE

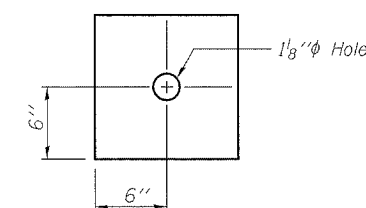
(Concrete wearing surface course along ϕ Roadway)



PLAN



SECTION



CLAMPING PLATE

SHEAR KEY CLAMPING DETAILS AT STAGE CONST. JT.

Cost included with "Precast Prestressed Concrete Deck Beams".
See Stage Construction Details for traffic lanes.

DESIGNED	JJD
CHECKED	EML
DRAWN	JJD
CHECKED	EML

SUPERSTRUCTURE DETAILS
F.A.P. ROUTE 328 - SECTION (8BR-1)B-1
WAYNE COUNTY
STATION 719+63.09
STRUCTURE NO. 096-0020

HORNER & SHIFRIN, INC.
ENGINEERS