

F.A.U. RTE.	SECTION	COUNTY	TOTAL SHEETS	SHEET NO.
9079	65BR	MADISON	46	1

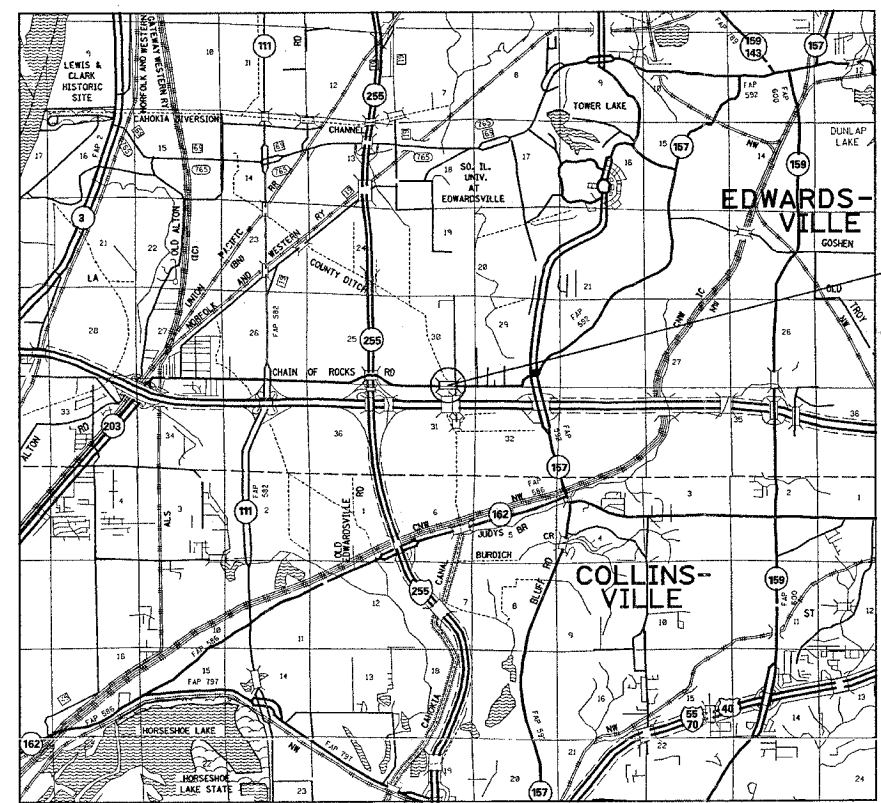
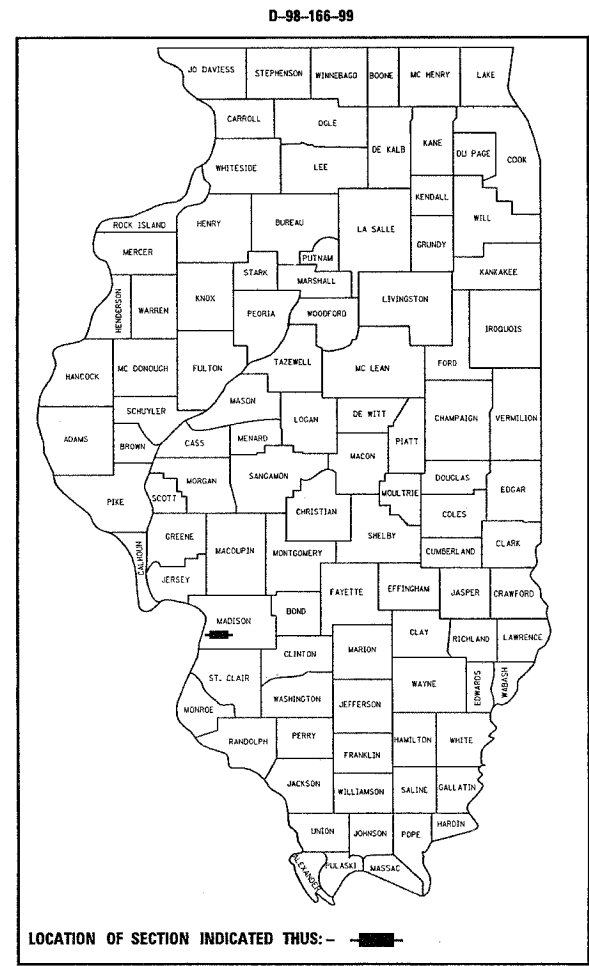
12
48

STATE OF ILLINOIS
DEPARTMENT OF TRANSPORTATION
DIVISION OF HIGHWAYS

**PROPOSED
HIGHWAY PLANS**

FAU ROUTE 9079 (CHAIN OF ROCKS)
SECTION 65BR
PROJECT: BRM-9079(008)
BRIDGE REPLACEMENT
MADISON COUNTY
C-98-095-01

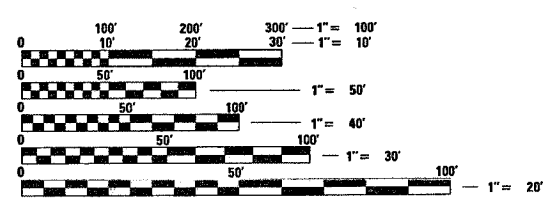
FOR INDEX OF SHEETS, SEE SHEET NO. 2



SINGLE SPAN RC SLAB TO BE REPLACED WITH TRIPLE SPAN CAST-IN-PLACE RC SLAB AT STA. 388+43.96 (67 FT) OVER COUNTY DITCH
SN 060-0069 (E) 0236 (P)
BEGIN STA 386+00
END STA 390+75

PROJECT ENGINEER: PATTI LeBEAU (618) 346-3179
SQUAD LEADER: ARTHUR MUEHLFELD (618) 346-3209

MICROFILMED _____
REEL NUMBER _____
AWARDED _____
RESIDENT ENGINEER _____
AS BUILT CHANGES WERE MADE ON THE FOLLOWING SHEETS

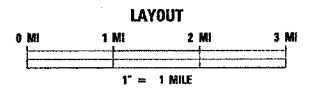


FULL SIZE PLANS HAVE BEEN PREPARED USING STANDARD ENGINEERING SCALES. REDUCED SIZED PLANS WILL NOT CONFORM TO STANDARD SCALES. IN MAKING MEASUREMENTS ON REDUCED PLANS, THE ABOVE SCALES MAY BE USED.

J.U.L.I.E.
JOINT UTILITY LOCATION INFORMATION FOR EXCAVATION
1-800-892-0123

DESIGN DESIGNATION
NA

FAU ROUTE 9079 (CHAIN OF ROCKS)
ADT = 4200 (2002)
ADT = 7500 (2022)
SU = 5%
MU = 2%



LATITUDE 38.76022
LONGITUDE 90.02823

GROSS LENGTH = 0.013 MILES
NET LENGTH = 0.013 MILES

STATE OF ILLINOIS
DEPARTMENT OF TRANSPORTATION
DIVISION OF HIGHWAYS

SUBMITTED *October 20* 20 *06*

Mary C. Zanis
DEPUTY DIRECTOR OF HIGHWAYS
REGION FIVE ENGINEER

February 2, 20 07
Eric E. Harmon
ENGINEER OF DESIGN AND ENVIRONMENT

February 2, 20 07
Milton R. See P.E.
DIRECTOR, DIVISION OF HIGHWAYS

**PRINTED BY THE AUTHORITY
OF THE STATE OF ILLINOIS**

F.A.U. RTE.	SECTION	COUNTY	TOTAL SHEETS	SHEET NO.
9079	65BR	MADISON	46	2
STA.		TO STA.		
FED. ROAD DIST. NO.		ILLINOIS FED. AID PROJECT		

INDEX OF SHEETS

- 1 COVER SHEET
- 2 INDEX OF SHEETS, HIGHWAY STANDARDS, GENERAL NOTES, & COMMITMENTS
- 3-4 SUMMARY OF QUANTITIES
- 5-6 TYPICAL SECTIONS
- 7-8 SCHEDULES
- 9 TIE POINTS AND BENCHMARKS
- 10 PLAN SHEET
- 10A ACCESS ROAD LAYOUTS
- 10B IMPACTED WETLAND LAYOUT
- 11-13 PLAN PROFILE SHEETS
- 14-15 STAGE CONSTRUCTION SHEETS
- 16 PLAT OF HIGHWAYS
- 17 MISCELLANEOUS DETAILS
- 18-29 STRUCTURE PLANS
- CROSS SECTIONS
- 30-32 MAINLINE
- 33-35 NORTHWEST ACCESS ROAD
- 36-39 NORTHEAST ACCESS ROAD
- 40-43 SOUTHWEST ACCESS ROAD
- 44-46 SOUTHEAST ACCESS ROAD

GENERAL NOTES

1. THE STANDARDS AND REVISIONS NUMBER SHALL APPLY TO THIS PROJECT.
2. THE CONTRACTOR SHALL VERIFY ALL DIMENSIONS AND CONDITIONS IN THE FIELD PRIOR TO CONSTRUCTION AND ORDERING MATERIALS.
3. ILLINOIS STATE LAW REQUIRES A 48-HOUR NOTICE BE GIVEN TO ALL UTILITIES WITHIN THE PROJECT AREA BEFORE DIGGING BY CALLING J.U.L.I.E. AND BY NOTIFYING NON-J.U.L.I.E. MEMBERS INDIVIDUALLY. AGENCIES KNOWN TO HAVE FACILITIES WITHIN THE PROJECT AREA ARE AS FOLLOWS:
 - AT&T ILLINOIS (COMMUNICATIONS)
 - CHARTER COMMUNICATIONS, INC. (CABLE TV)
 - VILLAGE OF GLEN CARBON (WATER & SANITARY SEWER)
 - AMERENIP (GAS & ELECTRIC)
 MEMBERS OF J.U.L.I.E. (800) 892-0123 ARE INDICATED BY *. NON-J.U.L.I.E. MEMBERS MUST BE NOTIFIED INDIVIDUALLY.
4. A QUANTITY OF 250 FEET OF "TEMPORARY PAVEMENT MARKING - LINE 6" WHITE HAS BEEN INCLUDED IN THE PLANS FOR PAINTING THE BOTTOM 6" OF THE TEMPORARY CONCRETE BARRIER.
5. RIGHT OF WAY MARKERS SHALL BE SET SO THE BACK OF THE POST IS TWELVE (12") INCHES INSIDE THE RIGHT OF WAY BOUNDARY. RIGHT OF WAY PROPERTY CORNERS ARE MARKED BY A 5/8" IRON ROD WITH IDOT ALUMINUM CAP AND SHALL NOT BE REMOVED OR DISTURBED WHEN SETTING THE RIGHT OF WAY MARKER.
6. NO TRENCHES OR OPEN PITS WILL BE PERMITTED ADJACENT TO A TRAFFIC LANE DURING NON-WORKING HOURS. ALL WIDENING TRENCHES SHALL BE BACKFILLED DURING THE SAME WORKING DAY IT WAS EXCAVATED.
7. NEW JERSEY (NJ) SHAPE BARRIER WILL BE ALLOWED ON THIS PROJECT. INSTALLATION SHALL BE AS SHOWN ON THE PLANS.
8. THE TRAFFIC CONTROL MEASURES SHALL SUPPLEMENT AND BE IN ACCORDANCE WITH TRAFFIC CONTROL STANDARD 701321.
9. THE BARRIER UNIT AT EACH END OF THE TRAFFIC CONTROL INSTALLATION SHALL BE SECURED TO THE PAVEMENT OR SHOULDER USING ALL SIX ANCHORING PINS FOR F-SHAPE BARRIER OR ALL SIX DOWEL BARS FOR NEW JERSEY SHAPE BARRIER.
10. THE TEMPORARY CONCRETE BARRIER (STATE OWNED) IS LOCATED AT IL ROUTE 111, NORTH OF I-55/70. THE CONTRACTOR SHALL PICK UP THE BARRIER AND RETURN THE BARRIER TO THE SAME LOCATION UPON COMPLETION OF THE PROJECT. ANY DAMAGED BARRIER WILL NOT HAVE TO BE REPLACED. THE CONTRACTOR SHALL DISPOSE OF DAMAGED CONCRETE BARRIER IN AN APPROVED DUMP SITE. THE CONNECTOR PINS SHALL BE FURNISHED BY THE CONTRACTOR AND THE COST SHALL BE INCLUDED WITH THE COST OF "TEMPORARY CONCRETE BARRIER (STATE OWNED)".
11. ANY REFERENCE TO "BITUMINOUS CONCRETE" SHALL BE CONSTRUED TO DENOTE "HOT MIX ASPHALT".
12. EXISTING FLAP GATES SHALL BE SALVAGED BY THE CONTRACTOR AND DELIVERED TO THE WOOD RIVER OPERATIONS YARD AT 200 SOUTH BELLWOOD. PLEASE CONTACT STEVE WHEELER AT (618) 259-1440 PRIOR TO DELIVERY.
13. IF THE 0.139 ACRES OF WETLAND IMPACT INCREASES, CONTACT BRIDGETT JACQUOT OF ILLINOIS DEPARTMENT OF TRANSPORTATION'S ENVIRONMENTAL UNIT AT (618) 346-3156.
14. THE FLAP GATES SHALL BE 18" ROUND WITH ZERO HEAD AND ZERO BACKWATER.

EROSION AND SEDIMENT CONTROL GENERAL NOTES

ALL EROSION CONTROL PRODUCTS FURNISHED SHALL BE SPECIFICALLY RECOMMENDED BY THE MANUFACTURER FOR THE USE SPECIFIED IN THE EROSION CONTROL PLAN. PRIOR TO APPROVAL AND USE OF THE PRODUCT, THE CONTRACTOR SHALL SUBMIT TO THE ENGINEER A NOTARIZED CERTIFICATION BY THE PRODUCER STATING THE INTENDED USE OF THE PRODUCT AND THAT THE PHYSICAL PROPERTIES REQUIRED FOR THIS APPLICATION ARE MET OR EXCEEDED. THE CONTRACTOR SHALL PROVIDE MANUFACTURER RECOMMENDED INSTALLATION PROCEDURES TO FACILITATE THE ENGINEER IN CONSTRUCTION INSPECTION.

TEMPORARY SEEDING SHALL BE COMPLETED ON A WEEKLY BASIS ON EXPOSED GROUND AND SHALL BE IN ACCORDANCE WITH SECTION 280 OF THE STANDARD SPECIFICATIONS. TEMPORARY EROSION CONTROL SEEDING SHALL BE APPLIED AT A RATE OF 100 LBS/ACRE AND PAID FOR AS "TEMPORARY EROSION CONTROL SEEDING". FOR CALCULATION PURPOSES, TWO APPLICATIONS OF TEMPORARY SEEDING WAS ASSUMED.

EARTH STOCKPILES SHALL BE TEMPORARY SEEDED IF THEY ARE TO REMAIN UNUSED FOR MORE THAN FOURTEEN DAYS.

FINAL SEEDING SHALL BE PERFORMED AS SOON AS POSSIBLE WITH CLASS 2 SEEDING.

HIGHWAY STANDARDS

000001-04	631032-03
001001-01	635006-02
001006	635011-01
280001-03	666001
420401-05	701011-01
515001-02	701311-02
542401	701321-08
601101	701326-02
609006-03	702001-06
630001-07	704001-03
630101-07	780001-01
630301-04	781001-02
631031-06	

COMMITMENTS

1. EXISTING STEEL BEAMS SHALL BE SALVAGED BY THE CONTRACTOR AND PICKED UP BY IDOT DAY LABOR AT THE JOBSITE. THE RESIDENT ENGINEER SHOULD CONTACT RICH BRUNETTE OF IDOT DAY LABOR, AT 217-782-7416, ONE WEEK PRIOR TO THE REMOVAL OF THE BEAMS.
2. MADISON COUNTY ENGINEER REQUESTS THE STREAMBED PROFILE UNDER THE PROPOSED STRUCTURE MATCH THE EXISTING STREAMBED PROFILE UPSTREAM AND DOWNSTREAM OF THE PROPOSED STRUCTURE AT THE TIME OF CONSTRUCTION. WORK REQUIRED TO COMPLY WITH THIS COMMITMENT SHALL BE PAID FOR ACCORDING TO ARTICLE 109.04.

"PRIOR TO COMMENCEMENT OF ANY WORK INVOLVING IN-STREAM ACTIVITY, THE RESIDENT ENGINEER SHALL VERIFY WITH THE DISTRICT HYDRAULICS ENGINEER, FRANK OPFER, THAT THE NATIONWIDE 404 PERMIT HAS BEEN ISSUED AND IS IN EFFECT FOR THIS PROJECT."

PLOT DATE = 2/13/2007
 FILE NAME = c:\projects\ed16691\plan\h18691a.dgn
 PLOT SCALE = 50.0000 / IN.
 REFERENCE = REF#

REVISIONS	
NAME	DATE

ILLINOIS DEPARTMENT OF TRANSPORTATION
INDEX OF SHEETS, HIGHWAY STANDARDS, GENERAL NOTES & COMMITMENTS
 FAU ROUTE 9079
 SECTION 65BR
 MADISON COUNTY
 SN 060-0069 (E) 0236 (P)

SUMMARY OF QUANTITIES

F.A.U. RITE	SECTION	COUNTY	TOTAL SHEETS	SHEET NO.
9079	65BR	MADISON	46	3
STA.		TO STA.		
FED. ROAD DIST. NO.		ILLINOIS	FED. AID PROJECT	

SUMMARY OF QUANTITIES			80% FED./20% STATE URBAN TOTAL QUANTITIES	CONSTRUCTION TYPE CODE	
CODE NO	ITEM	UNIT		X020-2A	SFTY-3N
20100500	TREE REMOVAL, ACRES	ACRE	0.25	0.25	
20200100	EARTH EXCAVATION	CU YD	1320	1320	
20400800	FURNISHED EXCAVATION	CU YD	340	340	
20700400	POROUS GRANULAR EMBANKMENT, SPECIAL	CU YD	78	78	
25000200	SEEDING, CLASS 2	ACRE	0.94	0.94	
25000400	NITROGEN FERTILIZER NUTRIENT	POUND	90	90	
25000500	PHOSPHORUS FERTILIZER NUTRIENT	POUND	90	90	
25000600	POTASSIUM FERTILIZER NUTRIENT	POUND	90	90	
25100115	MULCH, METHOD 2	ACRE	1	1	
28000250	TEMPORARY EROSION CONTROL SEEDING	POUND	188	188	
28000400	PERIMETER EROSION BARRIER	FOOT	1170	1170	
28000500	INLET AND PIPE PROTECTION	EACH	8	8	
28100107	STONE RIPRAP, CLASS A4	SQ YD	437	437	
28200200	FILTER FABRIC	SQ YD	437	437	
35501320	HOT-MIX ASPHALT BASE COURSE 9"	SQ YD	703	703	
42001165	BRIDGE APPROACH PAVEMENT	SQ YD	294	294	
42001430	BRIDGE APPROACH PAVEMENT CONNECTOR (FLEXIBLE)	SQ YD	59	59	
44000100	PAVEMENT REMOVAL	SQ YD	225	225	
44004250	PAVED SHOULDER REMOVAL	SQ YD	108	108	
48101500	AGGREGATE SHOULDERS, TYPE B 6"	SQ YD	175	175	
50100100	REMOVAL OF EXISTING STRUCTURES	EACH	1	1	
50105220	PIPE CULVERT REMOVAL	FOOT	237	237	
50200100	STRUCTURE EXCAVATION	CU YD	184	184	
50300100	FLOOR DRAINS	EACH	6	6	
50300225	CONCRETE STRUCTURES	CU YD	100	100	
50300255	CONCRETE SUPERSTRUCTURE	CU YD	169.8	169.8	
50300260	BRIDGE DECK GROOVING	SQ YD	308	308	
50300300	PROTECTIVE COAT	SQ YD	378	378	
50800205	REINFORCEMENT BARS, EPOXY COATED	POUND	40690	40690	
50800515	BAR SPLICERS	EACH	186	186	
50901125	STEEL RAILING (TEMPORARY)	FOOT	38	38	
51201005	FURNISHING METAL SHELL PILES 12"	FOOT	1134	1134	
51202305	DRIVING PILES	FOOT	1134	1134	
51203200	TEST PILE METAL SHELLS	EACH	2	2	
51205200	TEMPORARY SHEET PILING	SQ FT	827	827	
51500100	NAME PLATES	EACH	1	1	

SUMMARY OF QUANTITIES			80% FED./20% STATE URBAN TOTAL QUANTITIES	CONSTRUCTION TYPE CODE	
CODE NO	ITEM	UNIT		X020-2A	SFTY-3N
54215547	METAL END SECTIONS 12"	EACH	2	2	
542C1063	PIPE CULVERTS, CLASS C, TYPE 2 18"	FOOT	407	407	
59100100	GEOCOMPOSITE WALL DRAIN	SQ YD	48	48	
60100945	PIPE DRAINS 12"	FOOT	25	25	
60109580	PIPE UNDERDRAINS FOR STRUCTURES 4"	FOOT	148	148	
60801018	AUTOMATIC FLAP GATE 18"	EACH	5	5	
60900330	TYPE D INLET BOX, STANDARD 609001	EACH	2	2	
60900515	CONCRETE THRUST BLOCKS	EACH	2	2	
* 63100085	TRAFFIC BARRIER TERMINAL, TYPE 6	EACH	4	4	
* 63100087	TRAFFIC BARRIER TERMINAL, TYPE 6A	EACH	2	2	
* 63100167	TRAFFIC BARRIER TERMINAL TYPE 1, SPECIAL (TANGENT)	EACH	4	4	
63301990	REMOVE AND RE-ERECT TRAFFIC BARRIER TERMINAL, TYPE 1	EACH	2	2	
66600105	FURNISHING AND ERECTING RIGHT-OF-WAY MARKERS	EACH	8	8	
67000400	ENGINEER'S FIELD OFFICE, TYPE A	CAL MO	9	9	
67100100	MOBILIZATION	L SUM	1	1	
70100500	TRAFFIC CONTROL AND PROTECTION, STANDARD 701326	L SUM	1	1	
70101205	TRAFFIC CONTROL AND PROTECTION, STANDARD 701321 (SPECIAL)	EACH	1	1	
70106600	TEMPORARY BRIDGE TRAFFIC SIGNALS (STATE FURNISHED CONTROLLER)	EACH	1	1	
70106700	TEMPORARY RUMBLE STRIP	EACH	6	6	
70300220	TEMPORARY PAVEMENT MARKING - LINE 4"	FOOT	1280	1280	
70300240	TEMPORARY PAVEMENT MARKING - LINE 6"	FOOT	250	250	
70301000	WORK ZONE PAVEMENT MARKING REMOVAL	SQ FT	427	427	
70400500	TEMPORARY CONCRETE BARRIER (STATE OWNED)	FOOT	250	250	
70400600	RELOCATE TEMPORARY CONCRETE BARRIER (STATE OWNED)	FOOT	250	250	
78000200	THERMOPLASTIC PAVEMENT MARKING - LINE 4"	FOOT	996	996	
78008210	POLYUREA PAVEMENT MARKING TYPE I - LINE 4"	FOOT	284	284	
78100105	RAISED REFLECTIVE PAVEMENT MARKER (BRIDGE)	EACH	2	2	
* 78100300	REPLACEMENT REFLECTOR	EACH	5	5	
78200410	GUARDRAIL MARKERS, TYPE A	EACH	4	4	
78200520	BARRIER WALL MARKERS, TYPE B	EACH	4	4	
78200530	BARRIER WALL MARKERS, TYPE C	EACH	4	4	

PLOT DATE = 10/19/2006
 FILE NAME = c:\projects\metast\ad68599\plan\p1168599.dgn
 PLOTTER = HPGL / IN
 REFERENCE = #REF#

*SPECIALTY ITEMS

F.A.U. RTE.	SECTION	COUNTY	TOTAL SHEETS	SHEET NO.
9079	65BR	MADISON	46	4
STA.		TO STA.		
FED. ROAD DIST. NO.		ILLINOIS	FED. AID PROJECT	

SUMMARY OF QUANTITIES

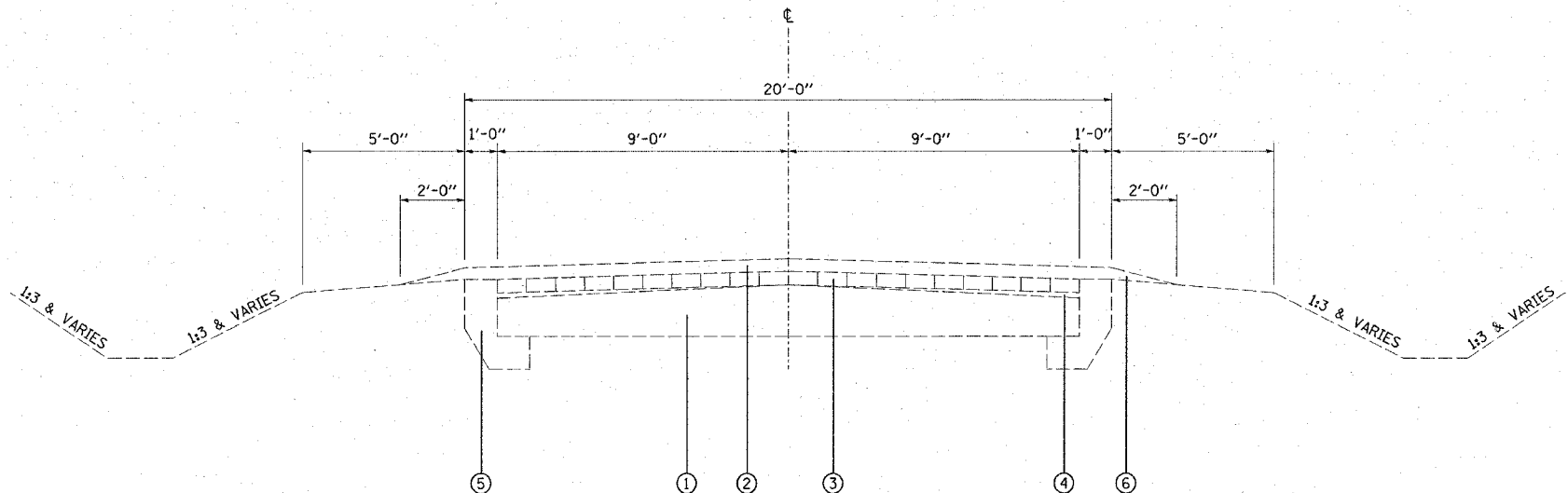
SUMMARY OF QUANTITIES			CONSTRUCTION TYPE CODE		
CODE NO	ITEM	UNIT	URBAN	X020-2A	SFTY-3N
			TOTAL QUANTITIES		
* 78201000	TERMINAL MARKER - DIRECT APPLIED	EACH	4	4	
78300100	PAVEMENT MARKING REMOVAL	SQ FT	427	427	
78300200	RAISED REFLECTIVE PAVEMENT MARKER REMOVAL	EACH	5	5	
X5020501	UNDERWATER STRUCTURE EXCAVATION PROTECTION - LOCATION 1	EACH	1	1	
X5020502	UNDERWATER STRUCTURE EXCAVATION PROTECTION - LOCATION 2	EACH	1	1	
Z0030250	IMPACT ATTENUATORS, TEMPORARY (NON-REDIRECTIVE), TEST LEVEL 3	EACH	2		2
Z0030350	IMPACT ATTENUATORS, RELOCATE (NON-REDIRECTIVE), TEST LEVEL 3	EACH	2		2
© Z0070000	TRAINEEES	HOUR	500	500	

SUMMARY OF QUANTITIES			TOTAL QUANTITIES	CONSTRUCTION TYPE CODE	
CODE NO	ITEM	UNIT		X020-2A	SFTY-3N

PLOT DATE = 10/12/2006
 FILE NAME = c:\p1\med6699\p1\m\p146699e.dgn
 PLOT SCALE = 43.3333 / IN.
 REFERENCE = #REF#

© Y080
 * SPECIALTY ITEMS

F.A.U. RTE.	SECTION	COUNTY	TOTAL SHEETS	SHEET NO.
9079	65BR	MADISON	46	5
STA.	TO STA.			
FED. ROAD DIST. NO.	ILLINOIS	FED. AID PROJECT		

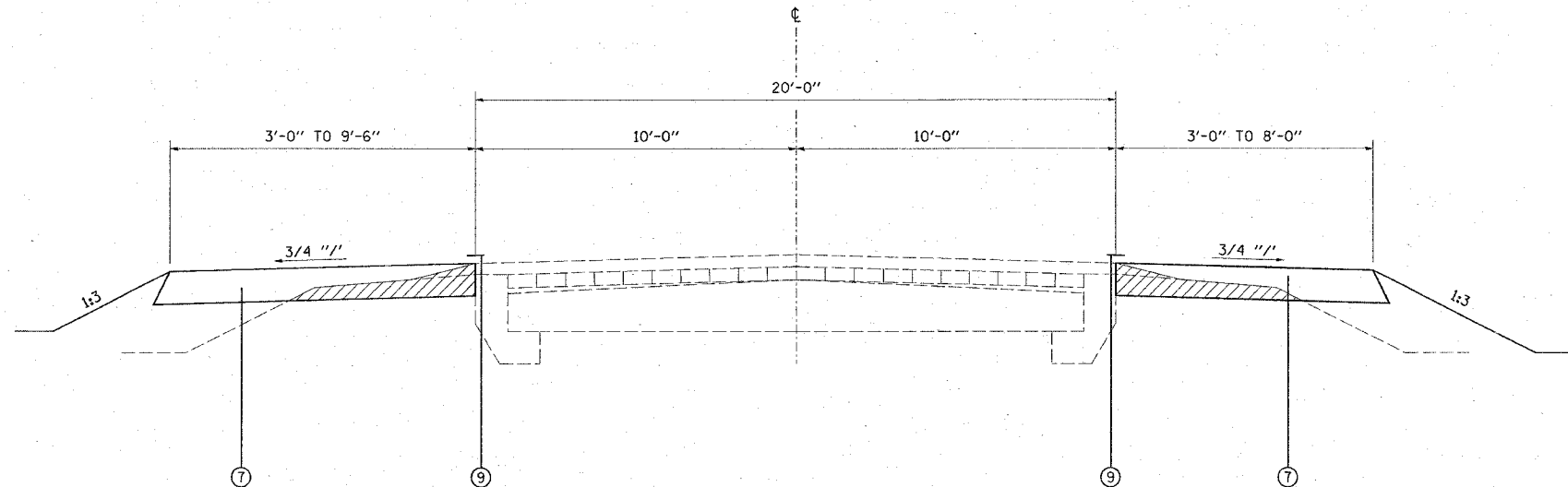


EXISTING TYPICAL SECTION

STA 386+00 TO STA 386+55
STA 390+35 TO STA 390+75

LEGEND

- ① EXISTING PAVEMENT - 7"
- ② EXISTING BITUMINOUS SURFACE COURSE & LEVELING BINDER
- ③ EXISTING BRICK - 2 1/2"
- ④ EXISTING BITUMINOUS MASTIC CUSHION - 3/4" TO 1 1/2"
- ⑤ EXISTING CONCRETE WIDENING
- ⑥ EXISTING GRAVEL OR CRUSHED STONE SHOULDER
- ⑦ PROPOSED HOT-MIX ASPHALT BASE COURSE - 9"
- ⑧ PROPOSED AGGREGATE SHOULDER - 6"
- ⑨ PROPOSED PAVEMENT MARKING LINE - 4"



PROPOSED TYPICAL SECTION

STA 386+00 TO STA 386+55
STA 390+35 TO STA 390+75

MIXTURE REQUIREMENTS

MIXTURE USE	BINDER
AC/PG	PG 64-22
RAP % (MAX)	15%
DESIGN AIR VOIDS	4.0% @ Ndes=70
MIX COMPOSITION (GRADIATION MIXTURE)	
FRICTION AGG	MIXTURE "B"

NOTE: BINDER SPECIFICATIONS LISTED IN CHART ABOVE SHALL APPLY TO "HOT-MIX ASPHALT BASE COURSE, 9 INCH" AS SHOWN IN THE TYPICAL SECTIONS.

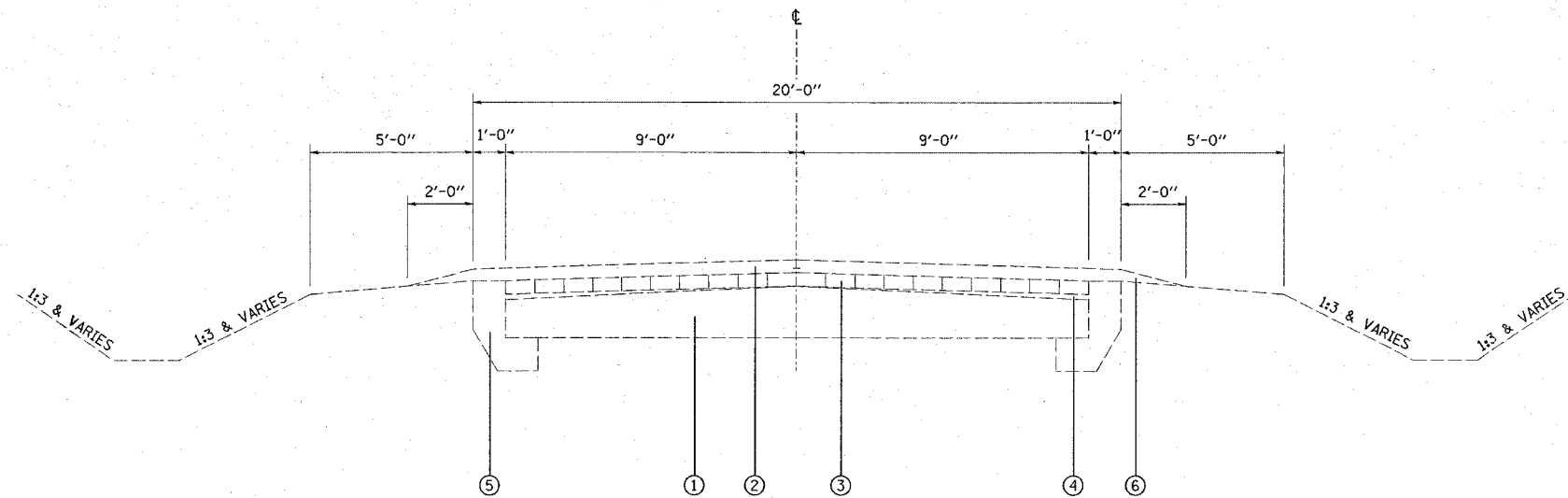
REVISIONS	
NAME	DATE

ILLINOIS DEPARTMENT OF TRANSPORTATION

TYPICAL SECTIONS

FAP ROUTE 9079
SECTION 65BR
MADISON COUNTY
SN 060-0069 (E) 0236 (P)

F.A.U. RTE.	SECTION	COUNTY	TOTAL SHEETS	SHEET NO.
9079	65BR	MADISON	46	6
STA.		TO STA.		
FED. ROAD DIST. NO.		ILLINOIS FED. AID PROJECT		

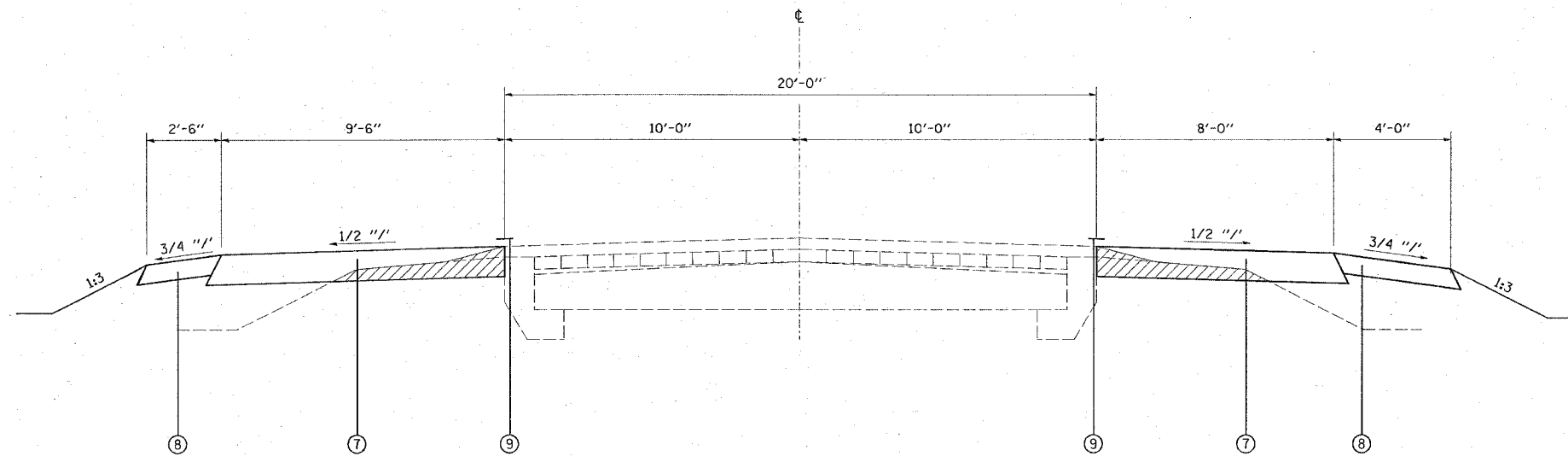


EXISTING TYPICAL SECTION

STA 386+55 TO STA 387+75
STA 389+13 TO STA 390+35

LEGEND

- ① EXISTING PAVEMENT 7"
- ② EXISTING BITUMINOUS SURFACE COURSE & LEVELING BINDER
- ③ EXISTING BRICK - 2 1/2"
- ④ EXISTING BITUMINOUS MASTIC CUSHION - 3/4" TO 1 1/2"
- ⑤ EXISTING CONCRETE WIDENING
- ⑥ EXISTING GRAVEL OR CRUSHED STONE SHOULDER
- ⑦ PROPOSED HOT-MIX ASPHALT BASE COURSE - 9"
- ⑧ PROPOSED AGGREGATE SHOULDER - 6"
- ⑨ PROPOSED PAVEMENT MARKING LINE - 4"



PROPOSED TYPICAL SECTION

STA 386+55 TO STA 387+75
STA 389+13 TO STA 390+35

MIXTURE REQUIREMENTS

MIXTURE USE	BINDER
AC/PG	PG 64-22
RAP % (MAX)	15%
DESIGN AIR VOIDS	4.0% @ Ndes=70
MIX COMPOSITION (GRADIATION MIXTURE)	
FRICITION AGG	MIXTURE "B"

NOTE: BINDER SPECIFICATIONS LISTED IN CHART ABOVE SHALL APPLY TO "HOT-MIX ASPHALT BASE COURSE, 9 INCH" AS SHOWN IN THE TYPICAL SECTIONS.

REVISIONS	
NAME	DATE

ILLINOIS DEPARTMENT OF TRANSPORTATION

TYPICAL SECTIONS

FAP ROUTE 9079
SECTION 65BR
MADISON COUNTY
SN 060-0069 (E) 0236 (P)

FAU RTE.	SECTION	COUNTY	TOTAL SHEETS	SHEET NO.
9079	65BR	MADISON	46	7
STA.		TO STA.		
FED. ROAD DIST. NO.		ILLINOIS	FED. AID PROJECT	

WIDENING SCHEDULE

LOCATION	LT OR RT	HOT-MIX ASPHALT BASE COURSE	AGGREGATE SHOULDERS, TYPE B 6"
STATION TO STATION		SQ YD	SQ YD
STA 386+00.00 TO STA 386+55.00	LT	38.3	
STA 386+00.00 TO STA 386+53.50	RT	32.7	
STA 386+53.50 TO STA 387+74.96	RT	108.1	53.3
STA 386+55.00 TO STA 388+22.31	LT	176.7	34.4
BRIDGE OMISSION			
STA 388+58.81 TO STA 390+34.86	LT	185.9	33.1
STA 389+12.96 TO STA 390+36.49	RT	109.9	54.2
STA 390+34.86 TO STA 390+75.00	LT	27.9	
STA 390+36.49 TO STA 390+75.00	RT	23.5	
TOTAL		703	175

GUARDRAIL SCHEDULE

LOCATION	TRAFFIC BARRIER TERMINAL, TYPE 6	TRAFFIC BARRIER TERMINAL, TYPE 6A	TRAFFIC BARRIER SPECIAL (TANGENT)	REMOVE AND RE-ERECT TRAFFIC BARRIER TERMINAL, TYPE 1	TERMINAL MARKERS - DIRECT APPLIED	BARRIER WALL MARKERS, TYPE B	BARRIER WALL MARKERS, TYPE C	GUARDRAIL MARKERS, TYPE A
	EACH	EACH	EACH	EACH	EACH	EACH	EACH	EACH
NW QUADRANT	1	1	1	1	1			1
NE QUADRANT	1	1	1	1	1			1
SW QUADRANT	1		1		1			1
SE QUADRANT	1		1		1			1
EASTBOUND						2	2	
WESTBOUND						2	2	
TOTAL	4	2	4	2	4	4	4	4

2 EACH TBT, TY 1 SPC (TANG) WILL BE PLACED PRIOR TO STAGE I CONSTRUCTION AS SHOWN ON THE PLANS.
 2 EACH TBT, TY 6A WILL BE PLACED PRIOR TO STAGE I CONSTRUCTION AS SHOWN ON THE PLANS.

EROSION CONTROL SCHEDULE

LOCATION	PERIMETER EROSION BARRIER	INLET AND PIPE PROTECTION
	FOOT	EACH
NORTHWEST	219	2
NORTHEAST	300	2
SOUTHWEST	280	3
SOUTHEAST	370	1
TOTAL	1170	8

REMOVAL ITEMS SCHEDULE

LOCATION	LT OR RT	PAVED SHOULDER REMOVAL	PAVEMENT REMOVAL
STATION TO STATION		SQ YD	SQ YD
STA 386+55.00 TO STA 388+22.31	LT	51.0	
STA 387+74.96 TO STA 388+22.31			105.0
BRIDGE OMISSION			
STA 388+58.87 TO STA 389+12.96			120.0
STA 388+58.81 TO STA 390+34.86	LT	57.2	
TOTAL		108	225

STAGING SCHEDULE

LOCATION	TEMPORARY CONCRETE BARRIER	RELOCATE TEMPORARY CONCRETE BARRIER	TEMPORARY PAVEMENT MARKING LINE 6"	STEEL RAILING (TEMPORARY)	IMPACT ATTENUATOR, TEMPORARY (NON-REDIRECTIVE)	IMPACT ATTENUATOR, RELOCATE
	FOOT	FOOT	FOOT	FOOT	EACH	EACH
STAGE I	250		250	38	2	
STAGE II		250				2
TOTAL	250	250	250	38	2	2

RIGHT-OF-WAY MARKERS SCHEDULE

LOCATION	LT OR RT	OFFSET DISTANCE	FURNISHING AND ERECTING RIGHT-OF-WAY MARKERS
STATION		FOOT	EACH
STA. 385+50	LT	40	1
STA. 385+50	RT	25	1
STA. 386+50	LT	107	1
STA. 387+50	RT	118	1
STA. 389+50	LT	107	1
STA. 389+75	RT	118	1
STA. 390+50	LT	77.61	1
STA. 390+50	RT	63.06	1
TOTAL			8

PAVEMENT MARKING SCHEDULE

LOCATION	TEMPORARY PAVEMENT MARKING LINE - 4"	WORK ZONE PAVEMENT MARKING REMOVAL	THERMOPLASTIC PAVEMENT MARKING - 4"		POLYUREA PAVEMENT MARKING TYPE I-LINE 4"		PAVEMENT MARKING REMOVAL		RAISED REFLECTIVE PAVEMENT MARKER REMOVAL	RAISED REFLECTIVE PAVEMENT MARKER (BRIDGE)	REPLACEMENT REFLECTOR	
			SKIP-DASH	EDGE LINE	SKIP-DASH	EDGE LINE	SKIP-DASH	SOLID				
			YELLOW	WHITE	YELLOW	WHITE	YELLOW	WHITE				
STATION TO STATION	FOOT	SQ FT	FOOT	FOOT	FOOT	FOOT	FOOT	SQ FT	SQ FT	EACH	EACH	EACH
STA 385+34.77 TO STA. 386+00.00	146.8	48.9	16.3	130.5				5.6	43.5	1		1
STA 386+00.00 TO STA. 387+80.96	407.1	135.8	45.2	361.9				15.2	120.7	2		2
STA 387+80.96 TO STA. 389+06.96	284.0	94.7			31.6	252.4		10.6	84.0		2	
STA 389+06.96 TO STA. 390+75.00	378.1	126.1	42.0	336.1				14.2	112.1	2		2
STA 390+75.00 TO STA. 391+02.99	63.0	21.0	7.0	56.0				2.4	18.7			
SUBTOTAL			110.5	884.5	31.6	252.4		48.0	379.0			
TOTAL	1279	426.5	995		284			427		5	2	5

REPLACEMENT REFLECOR (REMOVED DURING STAGE CONSTRUCTION) ARE FROM STOP BAR TO STOP BAR.

REVISIONS		ILLINOIS DEPARTMENT OF TRANSPORTATION
NAME	DATE	
		<p>SCHEDULES</p> <p>FAU ROUTE 9079 SECTION 65BR MADISON COUNTY SN 060-0069 (E) 0236 (P)</p>

PLOT DATE = 10/19/2006
 FILE NAME = c:\projects\aed\65BR\plan\p11659a.dgn
 PLOT SCALE = 1/8" = 1'-0"
 REFERENCE = REF#

F.A.U. RTE.	SECTION	COUNTY	TOTAL SHEETS	SHEET NO.
9079	65BR	MADISON	46	8
STA.		TO STA.		
FED. ROAD DIST. NO.		ILLINOIS FED. AID PROJECT		

EARTHWORK SCHEDULE

LOCATION	EARTH EXCAVATION	EARTH EXCAVATION ADJUSED FOR 25% SHRINKAGE	EMBANKMENT	EARTHWORK BALANCE WASTE (+) OR SHORTAGE (-)
	CU YD	CU YD	CU YD	CU YD
MAINLINE	454.0	340.7	576.2	-237.2
NORTHWEST	186.5	139.9	132.4	+7.6
NORTHEAST	112.1	84.2	397.7	-315.7
SOUTHWEST	286.4	215.1	192.2	+23.1
SOUTHEAST	281.0	210.8	29.8	+182.2
TOTAL	1320	990.7	1328.3	-340.0

MAINLINE

LOCATION STATION TO STATION	EARTH EXCAVATION	EARTH EXCAVATION ADJUSED FOR 25% SHRINKAGE	EMBANKMENT	EARTHWORK BALANCE WASTE (+) OR SHORTAGE (-)
	CU YD	CU YD	CU YD	CU YD
386+00 TO 386+50	63.5	47.6	26.4	+21.2
386+50 TO 386+75	39.3	29.5	57.0	-27.5
386+75 TO 387+00	27.8	20.9	70.2	-49.7
387+00 TO 387+50	83.0	62.3	110.1	-48.2
387+50 TO 388+00	118.3	88.7	72.7	+16.0
BRIDGE OMISSION				
389+00 TO 389+50	72.5	54.4	52.5	+1.9
389+50 TO 390+00	23.1	17.3	94.5	-77.6
390+00 TO 390+15	4.5	3.4	28.9	-25.7
390+15 TO 390+50	12.2	9.2	47.2	-38.3
390+50 TO 391+00	9.8	7.4	16.7	-9.3
TOTAL	454.0	340.7	576.2	-237.2

NORTHWEST ACCESS RD

LOCATION STATION TO STATION	EARTH EXCAVATION	EARTH EXCAVATION ADJUSED FOR 25% SHRINKAGE	EMBANKMENT	EARTHWORK BALANCE WASTE (+) OR SHORTAGE (-)
	CU YD	CU YD	CU YD	CU YD
0+30 TO 0+40	5.5	4.1	9.3	-5.2
0+40 TO 0+50	10.0	7.5	16.0	-8.5
0+50 TO 0+60	8.1	6.1	13.0	-6.9
0+60 TO 0+70	6.5	4.9	14.1	-9.2
0+70 TO 0+80	6.5	4.9	18.0	-13.1
0+80 TO 0+90	8.8	6.6	23.4	-16.8
0+90 TO 1+00	29.5	22.1	20.3	+1.8
1+00 TO 1+10	45.2	33.9	11.2	+22.8
1+10 TO 1+20	32.8	24.6	4.7	+19.9
1+20 TO 1+30	18.3	13.7	0.6	+13.1
1+30 TO 1+40	10.4	7.8	0.4	+7.4
1+40 TO 1+50	4.9	3.7	1.3	+2.4
TOTAL	186.5	139.9	132.4	+7.6

NORTHEAST ACCESS RD

LOCATION STATION TO STATION	EARTH EXCAVATION	EARTH EXCAVATION ADJUSED FOR 25% SHRINKAGE	EMBANKMENT	EARTHWORK BALANCE WASTE (+) OR SHORTAGE (-)
	CU YD	CU YD	CU YD	CU YD
0+30 TO 0+40	2.0	1.5	17.3	-15.9
0+40 TO 0+50	4.4	3.3	31.1	-28.0
0+50 TO 0+60	5.1	3.8	24.9	-21.2
0+60 TO 0+70	5.4	4.1	20.4	-16.4
0+70 TO 0+80	5.4	4.1	17.9	-13.9
0+80 TO 0+90	5.3	4.0	17.7	-13.8
0+90 TO 1+00	5.1	3.8	19.8	-16.1
1+00 TO 1+10	4.8	3.6	24.0	-20.5
1+10 TO 1+20	4.5	3.4	30.9	-27.7
1+20 TO 1+30	4.6	3.5	38.6	-35.4
1+30 TO 1+40	5.1	3.8	45.0	-41.5
1+40 TO 1+50	6.4	4.8	48.5	-44.0
1+50 TO 1+60	11.8	8.9	35.0	-26.3
1+60 TO 1+70	14.7	11.0	14.4	-3.4
1+70 TO 1+80	10.7	8.0	5.4	+2.64
1+80 TO 1+90	8.5	6.4	2.7	+3.69
1+90 TO 2+00	8.3	6.2	4.2	+2.01
TOTAL	112.1	84.2	397.7	-315.7

SOUTHWEST ACCESS RD

LOCATION STATION TO STATION	EARTH EXCAVATION	EARTH EXCAVATION ADJUSED FOR 25% SHRINKAGE	EMBANKMENT	EARTHWORK BALANCE WASTE (+) OR SHORTAGE (-)
	CU YD	CU YD	CU YD	CU YD
0+30 TO 0+40	8.0	6.0	2.2	+3.8
0+40 TO 0+50	17.4	13.1	3.0	+10.1
0+50 TO 0+60	18.7	14.0	2.4	+11.6
0+60 TO 0+70	20.0	15.0	4.6	+10.4
0+70 TO 0+80	22.4	16.8	5.8	+11.0
0+80 TO 0+90	24.0	18.0	4.9	+13.1
0+90 TO 1+00	25.0	18.8	4.1	+14.8
1+00 TO 1+10	25.2	18.9	4.3	+14.7
1+10 TO 1+20	24.6	18.5	5.7	+12.8
1+20 TO 1+30	22.8	17.1	9.1	+8.0
1+30 TO 1+40	19.8	14.9	14.6	+0.3
1+40 TO 1+50	16.5	12.4	22.8	-10.4
1+50 TO 1+60	11.4	8.6	35.8	-27.2
1+60 TO 1+70	10.0	7.5	42.3	-34.8
1+70 TO 1+80	7.9	5.9	23.8	-17.9
1+80 TO 1+90	5.0	3.8	4.3	-0.5
1+90 TO 2+00	7.7	5.8	2.4	+3.4
TOTAL	286.4	215.1	192.2	+23.1

SOUTHEAST ACCESS RD

LOCATION STATION TO STATION	EARTH EXCAVATION	EARTH EXCAVATION ADJUSED FOR 25% SHRINKAGE	EMBANKMENT	EARTHWORK BALANCE WASTE (+) OR SHORTAGE (-)
	CU YD	CU YD	CU YD	CU YD
0+30 TO 0+40	6.8	5.1	3.7	+1.4
0+40 TO 0+50	14.7	11.0	6.6	+4.4
0+50 TO 0+60	16.2	12.2	5.0	+7.2
0+60 TO 0+70	17.2	12.9	3.6	+9.4
0+70 TO 0+80	17.8	13.4	3.6	+9.9
0+80 TO 0+90	18.8	14.1	2.8	+11.4
0+90 TO 1+00	20.4	15.3	1.5	+13.9
1+00 TO 1+10	25.5	19.1	1.2	+18.0
1+10 TO 1+20	41.0	30.8	0.9	+30.1
1+20 TO 1+30	63.2	47.4	0.5	+47.2
1+30 TO 1+40	37.9	28.4	0.2	+28.4
1+40 TO 1+50	1.5	1.1	0.3	+0.8
TOTAL	281.0	210.8	29.8	+182.2

PIPE CULVERT SCHEDULE

LOCATION STATION	LT RT	OFFSET FOOT	PIPE CULVERT REMOVAL FOOT	PIPE CULVERT, CLASS C, TYPE 2 18" FOOT	AUTOMATIC FLAP GATE 18" EACH
STA. 386+74.1	RT	35.6		56.5	
STA. 386+85.6	LT	37.8		66.5	1
STA. 387+74.8	LT	41.9		50.5	
STA. 387+88.9	LT	28.9	40		
STA. 387+92.9	RT	29.4	60		
STA. 387+96.7	RT	40.7		51	1
STA. 388+10.3	RT	80.0		54	1
STA. 388+12.6	RT	60.0	30		
STA. 388+79.4	LT	35.7		47	1
STA. 388+82.7	RT	21.9	47		
STA. 388+88.6	LT	19.7	60		
STA. 390+14.2	LT	32.1		42	
STA. 390+14.0	RT	30.0		39.5	1
TOTAL			237	407	5

LOCATIONS ARE FROM THE CENTER OF THE PIPE CULVERTS.

FLAP GATES ARE TO BE INSTALLED ON THE DOWNSTREAM SIDE OF THE CULVERTS.

REVISIONS	
NAME	DATE

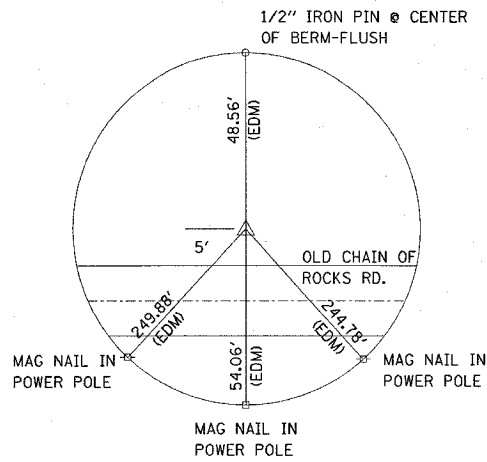
ILLINOIS DEPARTMENT OF TRANSPORTATION

SCHEDULES

FAU ROUTE 9079
SECTION 65BR
MADISON COUNTY
SN 060-0069 (E) 0236 (P)

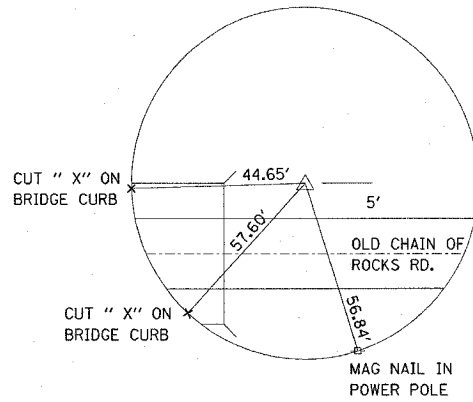
F.A.I. RTE.	SECTION	COUNTY	TOTAL SHEETS	SHEET NO.
9079	65BR	MADISON	46	9
STA.		TO STA.		
FED. ROAD DIST. NO.		ILLINOIS FED. AID PROJECT		

NOTE: ALL MEASUREMENTS ARE PULLED DIRECT



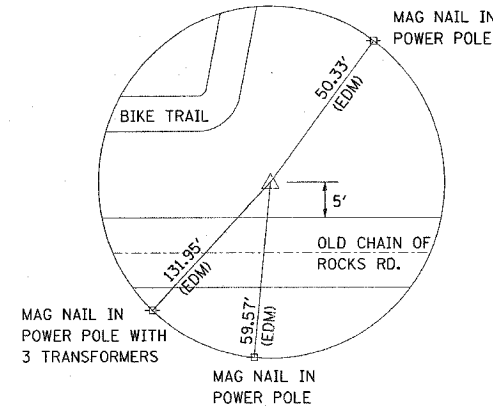
TIE POINT #1

IRON PIN WITH IDOT CAP (FLUSH)
1379.5'± (EDM) WEST OF CENTER OF
OLD CHAIN OF ROCKS RD BRIDGE
OVER MADISON COUNTY DITCH



TIE POINT #2

IRON PIN WITH IDOT CAP (FLUSH)



TIE POINT #3

IRON PIN WITH IDOT CAP (FLUSH)

BENCHMARK

BM 1- CUT "□" ON WINGWALL @ SE CORNER OF BRIDGE
ELEV = 421.960

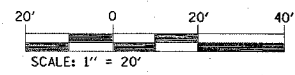
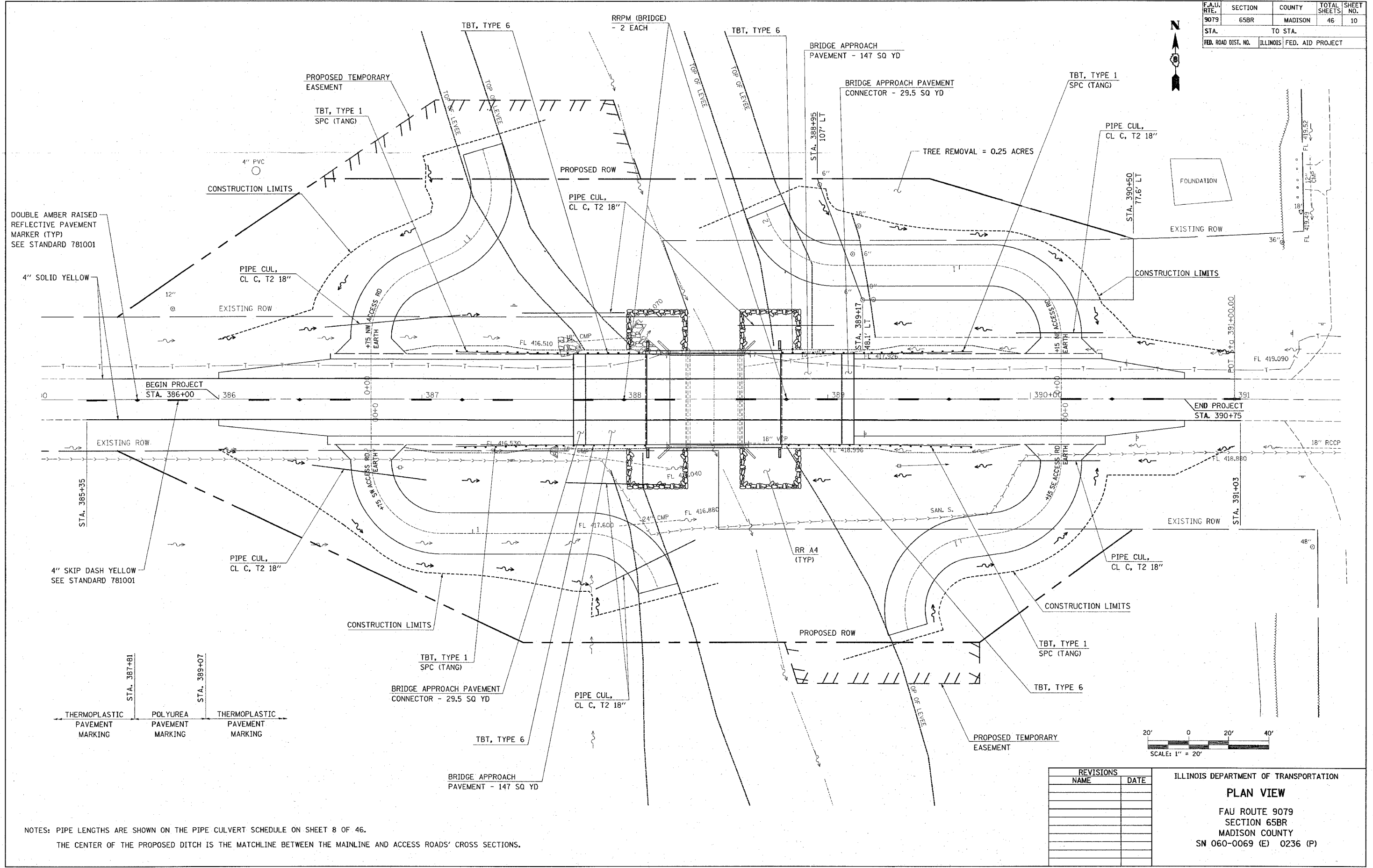
PLOT DATE = 10/19/2006
FILE NAME = c:\pwork\area\ad16899\plan\pl16899.dgn
PLOT SCALE = 1/8" = 100'
REFERENCE = REF#

REVISIONS	
NAME	DATE

ILLINOIS DEPARTMENT OF TRANSPORTATION
TIE POINTS & BENCHMARKS

FAU ROUTE 9079
SECTION 65BR
MADISON COUNTY
SN 060-0069 (E) 0236 (P)

F.A.U. RTE.	SECTION	COUNTY	TOTAL SHEETS	SHEET NO.
9079	65BR	MADISON	46	10
STA.	TO STA.			
FED. ROAD DIST. NO.	ILLINOIS	FED. AID PROJECT		



REVISIONS	
NAME	DATE

ILLINOIS DEPARTMENT OF TRANSPORTATION
PLAN VIEW
 FAU ROUTE 9079
 SECTION 65BR
 MADISON COUNTY
 SN 060-0069 (E) 0236 (P)

NOTES: PIPE LENGTHS ARE SHOWN ON THE PIPE CULVERT SCHEDULE ON SHEET 8 OF 46.
 THE CENTER OF THE PROPOSED DITCH IS THE MATCHLINE BETWEEN THE MAINLINE AND ACCESS ROADS' CROSS SECTIONS.

PLOT DATE = 2/13/2007
 PLOT SCALE = 1" = 20'
 PLOT REFERENCE = #R2E#

F.A.U. RTE.	SECTION	COUNTY	TOTAL SHEETS	SHEET NO.
9079	65BR	MADISON	46	10A
STA.		TO STA.		
FED. ROAD DIST. NO.		ILLINOIS FED. AID PROJECT		



PROP. CURVE NW-2
 PI STA. = 1+20.35
 $\Delta = 81^\circ 51' 04''$ (LT)
 $D = 163^\circ 42' 08''$
 $R = 35.00'$
 $T = 30.35'$
 $L = 50.00'$
 $E = 11.32'$
 P.C. STA = 0+90.00
 P.T. STA = 1+40.00

PROP. CURVE NE-2
 PI STA. = 1+84.28
 $\Delta = 67^\circ 34' 29''$ (RT)
 $D = 163^\circ 42' 08''$
 $R = 35.00'$
 $T = 23.42'$
 $L = 41.28'$
 $E = 7.11'$
 P.C. STA = 1+60.86
 P.T. STA = 2+02.14

PROP. CURVE NE-1
 PI STA. = 0+64.89
 $\Delta = 90^\circ 02' 10''$ (LT)
 $D = 163^\circ 42' 08''$
 $R = 35.00'$
 $T = 35.02'$
 $L = 55.00'$
 $E = 14.51'$
 P.C. STA = 0+29.86
 P.T. STA = 0+84.86

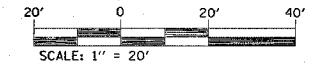
PROP. CURVE NW-1
 PI STA. = 0+52.50
 $\Delta = 65^\circ 28' 51''$ (RT)
 $D = 163^\circ 42' 08''$
 $R = 35.00'$
 $T = 22.50'$
 $L = 40.00'$
 $E = 6.61'$
 P.C. STA = 0+30.00
 P.T. STA = 0+70.00

PROP. CURVE SW-1
 PI STA. = 0+65.07
 $\Delta = 90^\circ 02' 10''$ (LT)
 $D = 163^\circ 42' 08''$
 $R = 35.00'$
 $T = 35.02'$
 $L = 55.00'$
 $E = 14.51'$
 P.C. STA = 0+30.05
 P.T. STA = 0+85.05

PROP. CURVE SW-2
 PI STA. = 1+80.81
 $\Delta = 68^\circ 21' 21''$ (RT)
 $D = 163^\circ 42' 08''$
 $R = 35.00'$
 $T = 23.77'$
 $L = 41.76'$
 $E = 7.31'$
 P.C. STA = 1+57.05
 P.T. STA = 1+98.80

PROP. CURVE SE-1
 PI STA. = 0+60.52
 $\Delta = 81^\circ 51' 04''$ (RT)
 $D = 163^\circ 42' 08''$
 $R = 35.00'$
 $T = 30.35'$
 $L = 50.00'$
 $E = 11.32'$
 P.C. STA = 0+30.18
 P.T. STA = 0+80.18

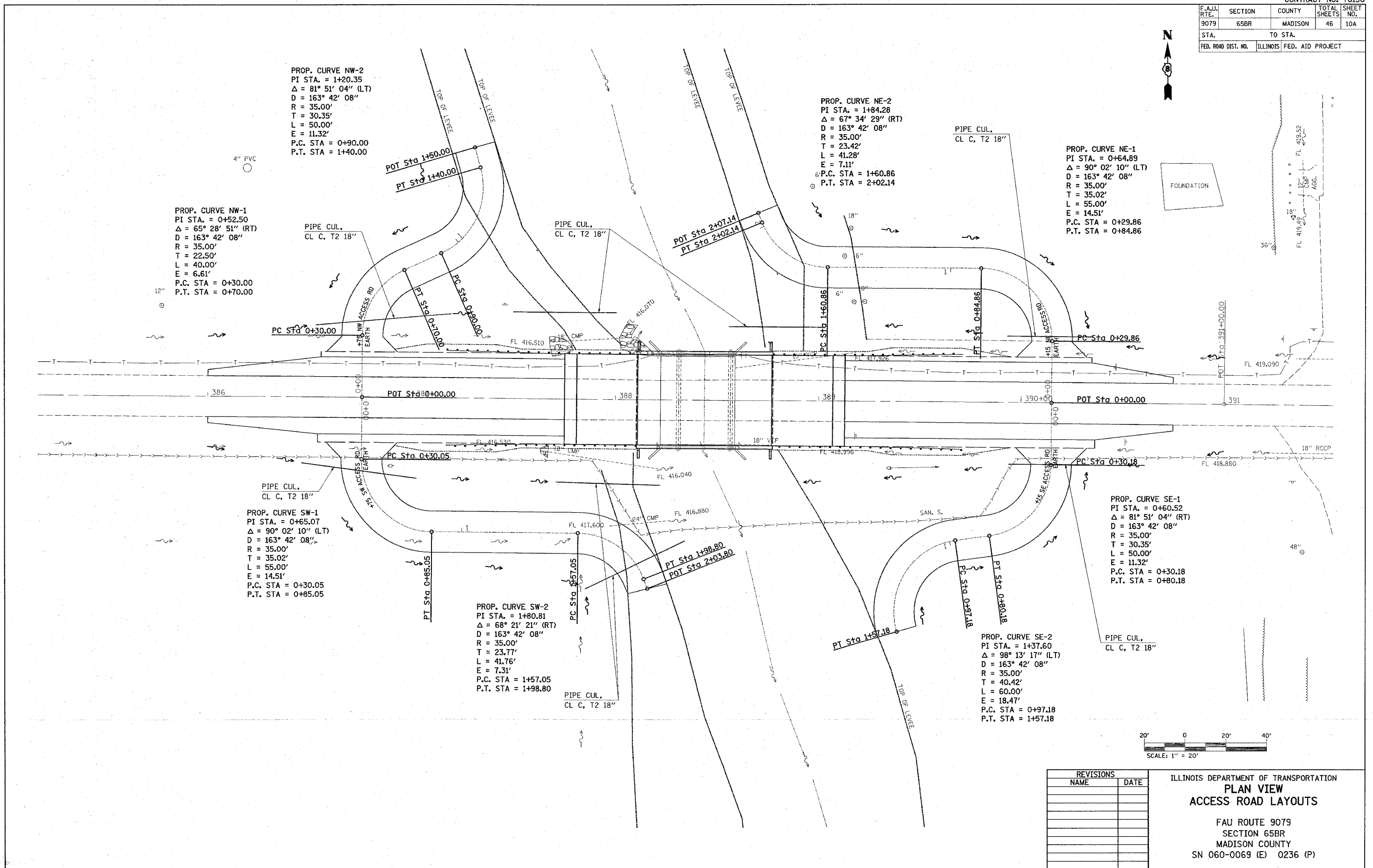
PROP. CURVE SE-2
 PI STA. = 1+37.60
 $\Delta = 98^\circ 13' 17''$ (LT)
 $D = 163^\circ 42' 08''$
 $R = 35.00'$
 $T = 40.42'$
 $L = 60.00'$
 $E = 18.47'$
 P.C. STA = 0+97.18
 P.T. STA = 1+57.18



REVISIONS	
NAME	DATE

ILLINOIS DEPARTMENT OF TRANSPORTATION
PLAN VIEW
ACCESS ROAD LAYOUTS
 FAU ROUTE 9079
 SECTION 65BR
 MADISON COUNTY
 SN 060-0069 (E) 0236 (P)

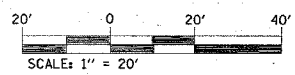
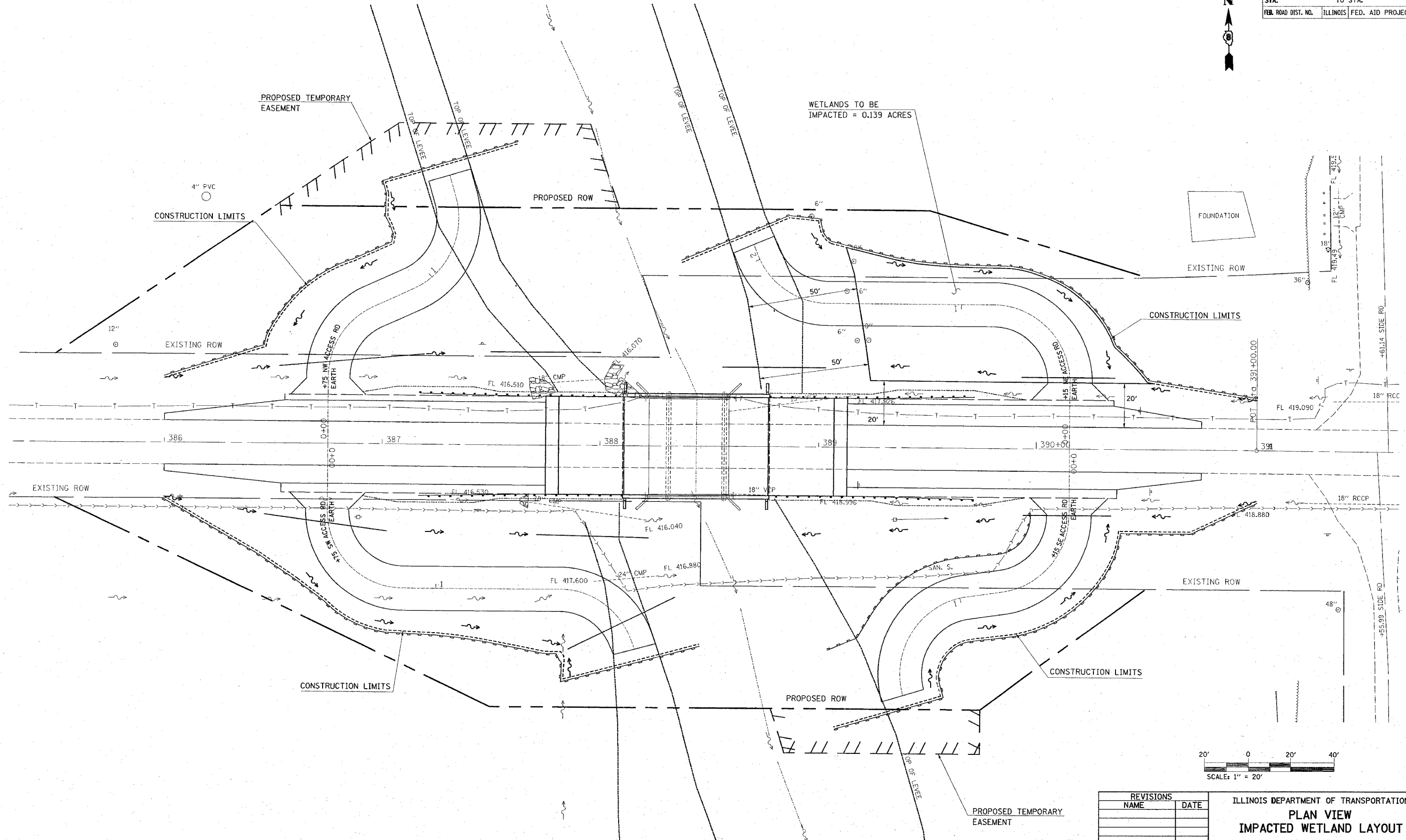
PLOT DATE = 2/13/2007
 FILE NAME = 060600069.dwg
 PLOT SCALE = 1/8" = 1' / 16"
 REFERENCE = #REF#



FAU RTE.	SECTION	COUNTY	TOTAL SHEETS	SHEET NO.
9079	65BR	MADISON	46	10B
STA.	TO STA.			
FED. ROAD DIST. NO.	ILLINOIS	FED. AID PROJECT		



WETLANDS TO BE IMPACTED = 0.139 ACRES



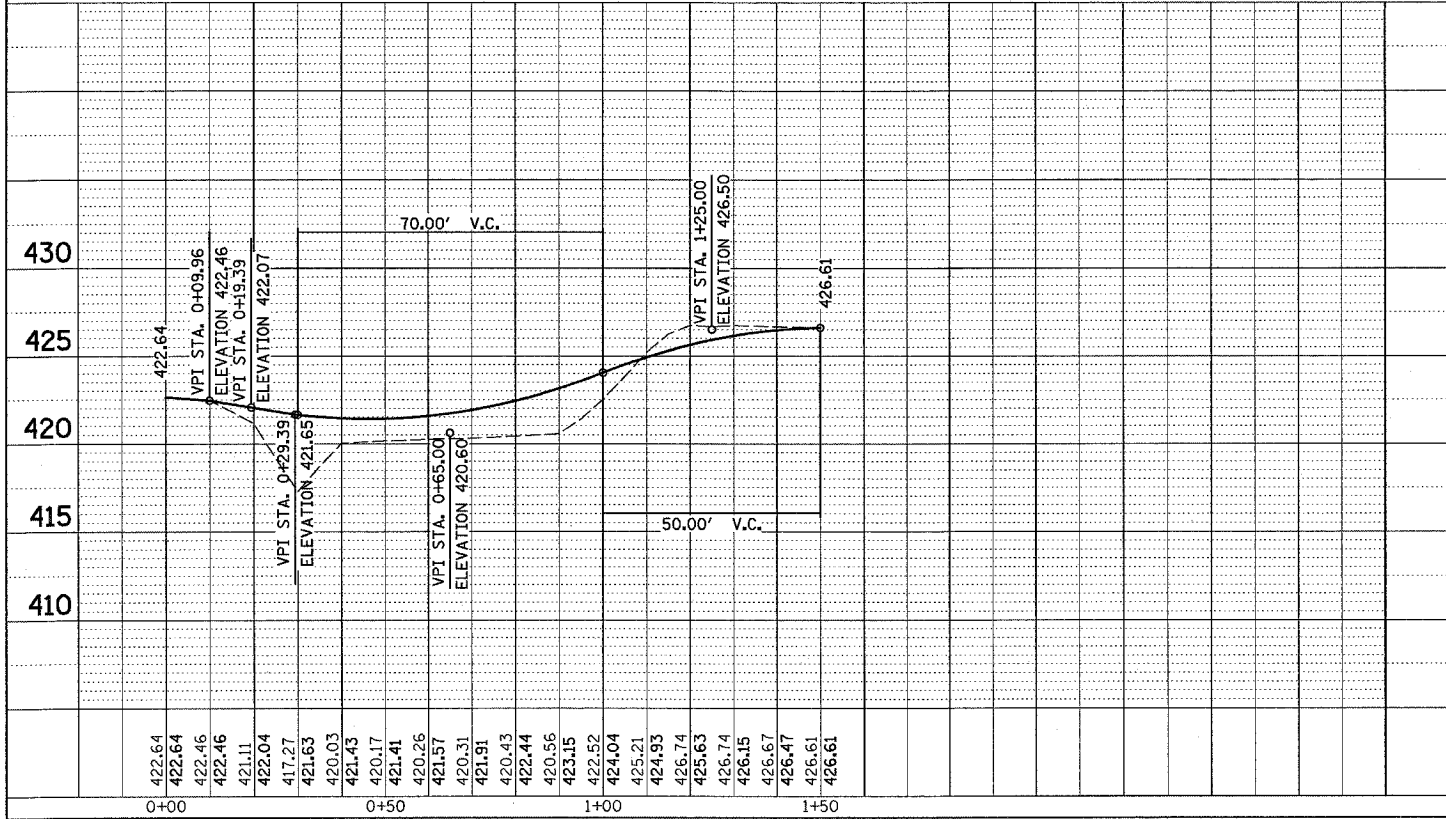
REVISIONS	
NAME	DATE

ILLINOIS DEPARTMENT OF TRANSPORTATION
PLAN VIEW
IMPACTED WETLAND LAYOUT
 FAU ROUTE 9079
 SECTION 65BR
 MADISON COUNTY
 SN 060-0069 (E) 0236 (P)

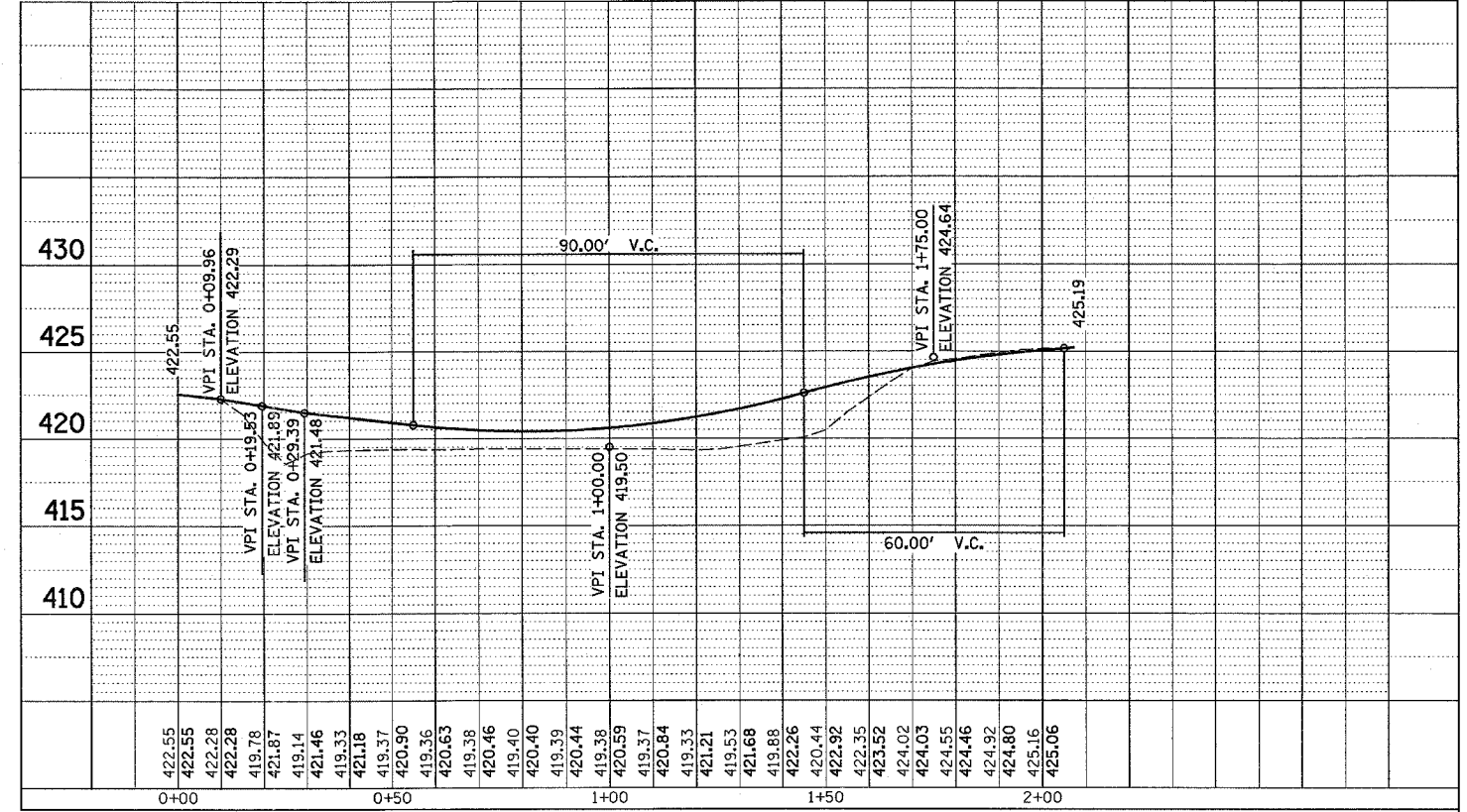
PLOT DATE = 2/13/2007
 FILE NAME = c:\p\proj\65br\65br\plan\p10106899a.dgn
 PLOT SCALE = 20.0000 / IN
 REFERENCE = #REF#

F.A.U. RTE.	SECTION	COUNTY	TOTAL SHEETS	SHEET NO.
9079	65BR	MADISON	46	13
STA.		TO STA.		
FED. ROAD DIST. NO.		ILLINOIS FED. AID PROJECT		

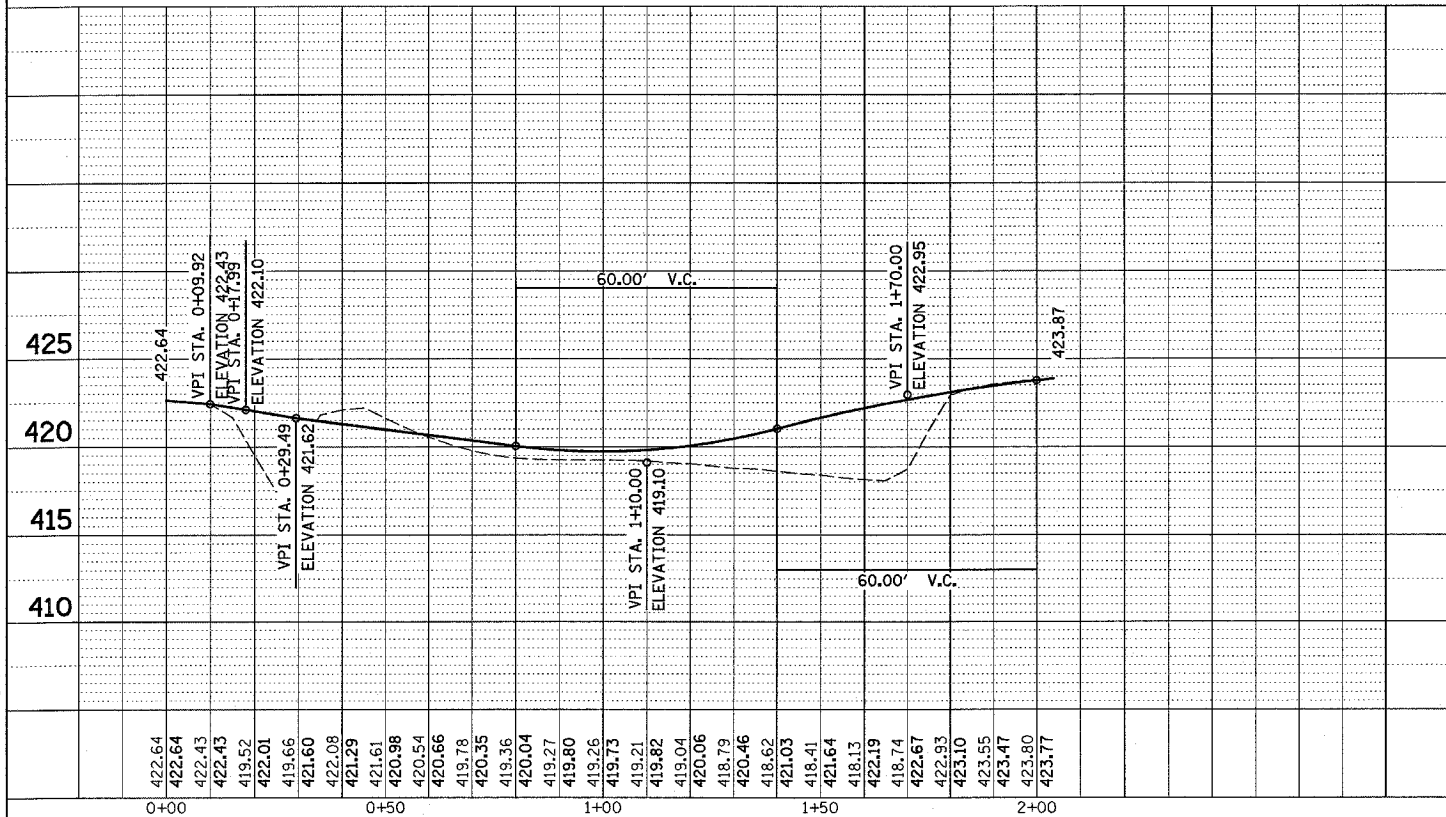
NORTHWEST ACCESS



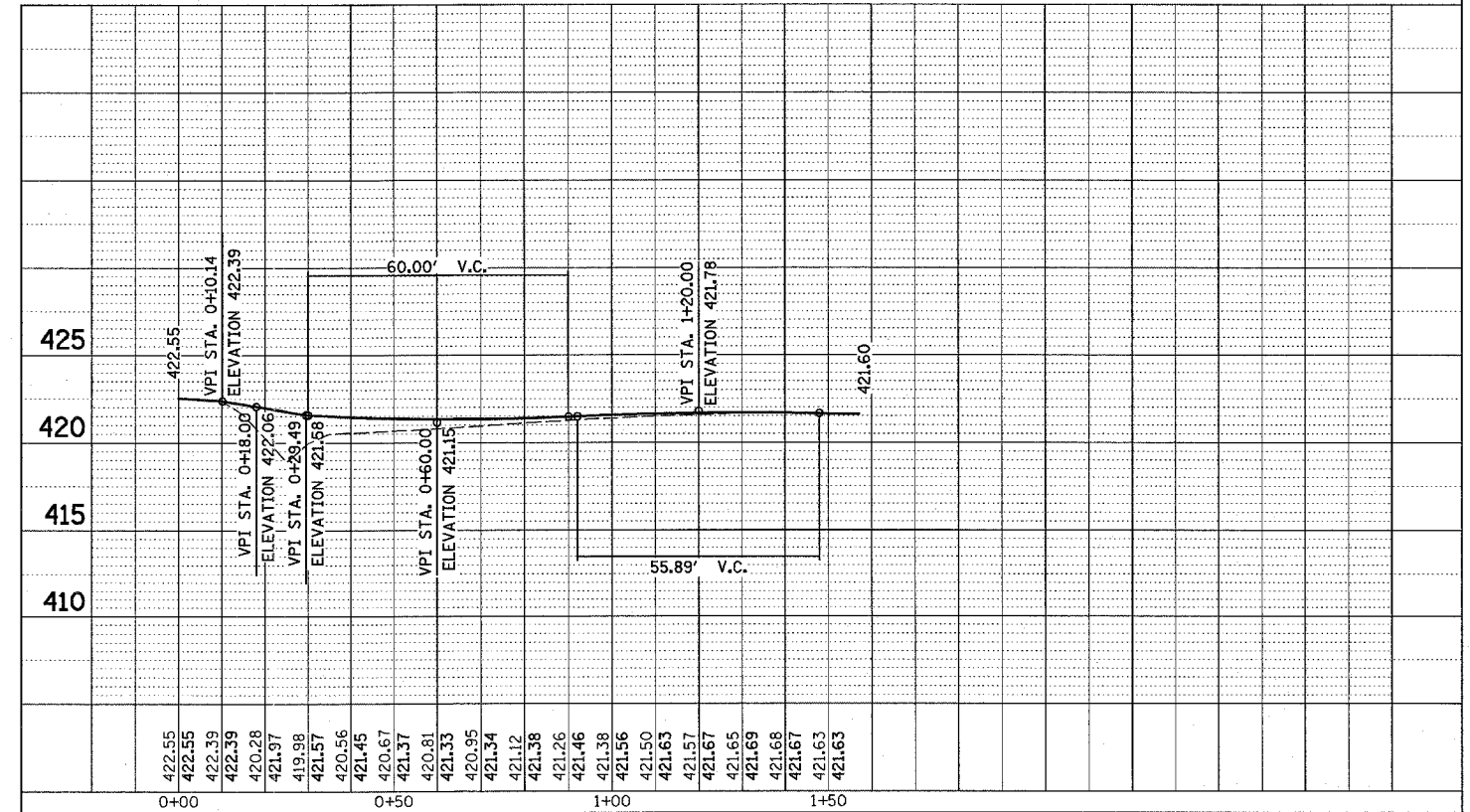
NORTHEAST ACCESS



SOUTHWEST ACCESS



SOUTHEAST ACCESS



PLAN

REVISIONS	BY	DATE
NOTED		
ALTERNATE CHECKED		
NO.		
FILE NAME		

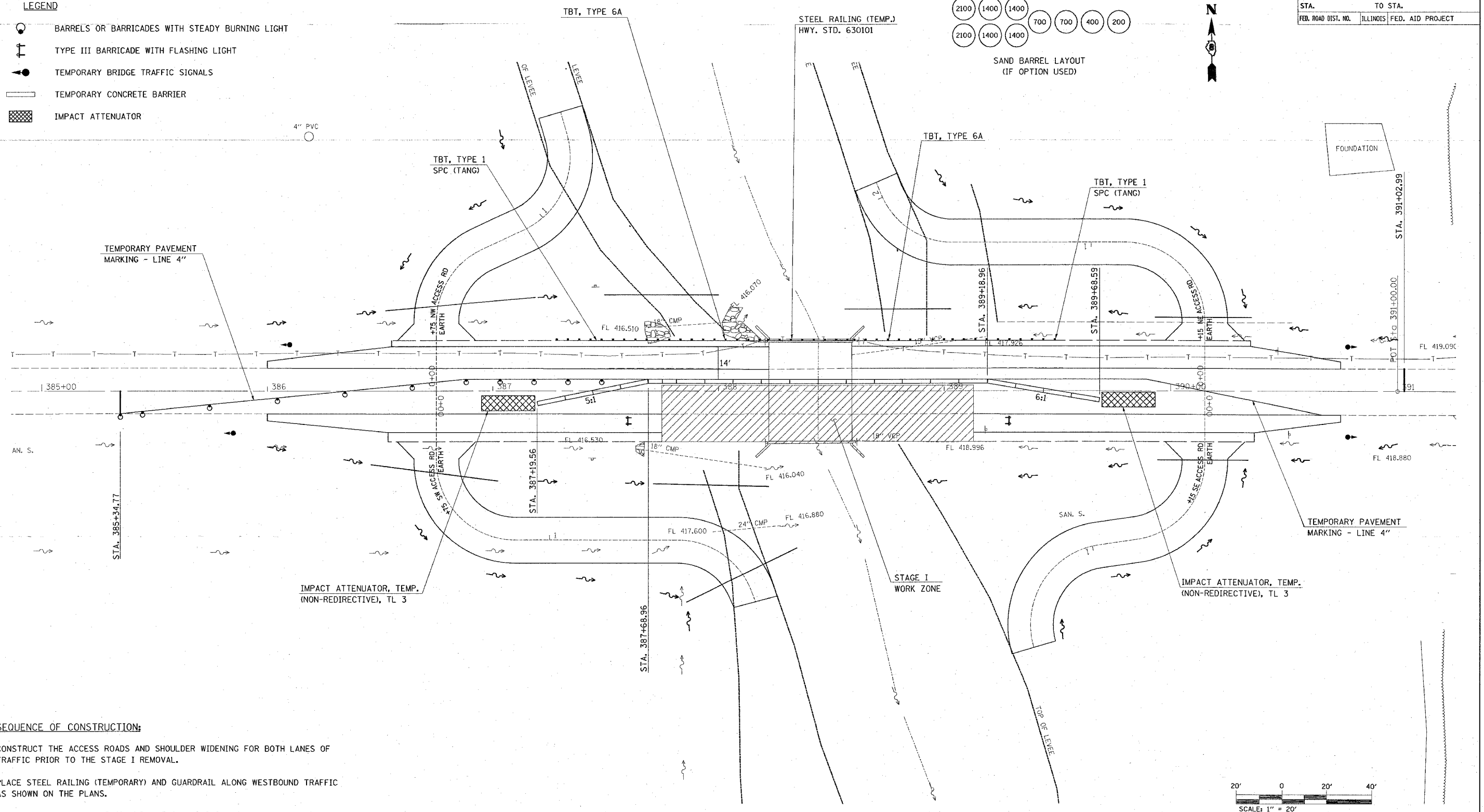
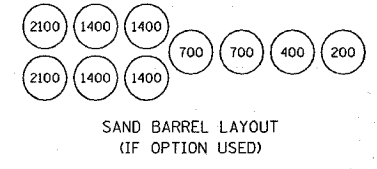
PROFILE

REVISIONS	BY	DATE
NOTED		
ALTERNATE CHECKED		
NO.		
FILE NAME		

PLOT DATE = 10/19/2006
 FILE NAME = h:\66699\plan\p1a1689a.dgn
 PLOT SCALE = 28.0000' / IN.
 USER NAME = hrbough@d

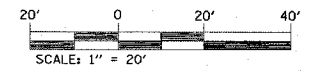
F.A.U. RTE.	SECTION	COUNTY	TOTAL SHEETS	SHEET NO.
9079	65BR	MADISON	46	14
STA.		TO STA.		
FED. ROAD DIST. NO.		ILLINOIS FED. AID PROJECT		

- LEGEND**
- BARRELS OR BARRICADES WITH STEADY BURNING LIGHT
 - TYPE III BARRICADE WITH FLASHING LIGHT
 - TEMPORARY BRIDGE TRAFFIC SIGNALS
 - TEMPORARY CONCRETE BARRIER
 - IMPACT ATTENUATOR



SEQUENCE OF CONSTRUCTION:

- CONSTRUCT THE ACCESS ROADS AND SHOULDER WIDENING FOR BOTH LANES OF TRAFFIC PRIOR TO THE STAGE I REMOVAL.
- PLACE STEEL RAILING (TEMPORARY) AND GUARDRAIL ALONG WESTBOUND TRAFFIC AS SHOWN ON THE PLANS.
- PLACE TEMPORARY RUMBLE STRIPS (6 EACH) AS SHOWN ON STANDARD 701321.
- PLACE 250 FT TEMPORARY CONCRETE BARRIER, BARRELS, AND 2 EACH IMPACT ATTENUATORS, TEMPORARY.
- SEE STANDARD 701321 FOR DETAILS NOT SHOWN ON PLANS.
- PERFORM ALL NECESSARY BRIDGE WORK IN STAGE I WORK ZONE.



REVISIONS	
NAME	DATE

ILLINOIS DEPARTMENT OF TRANSPORTATION

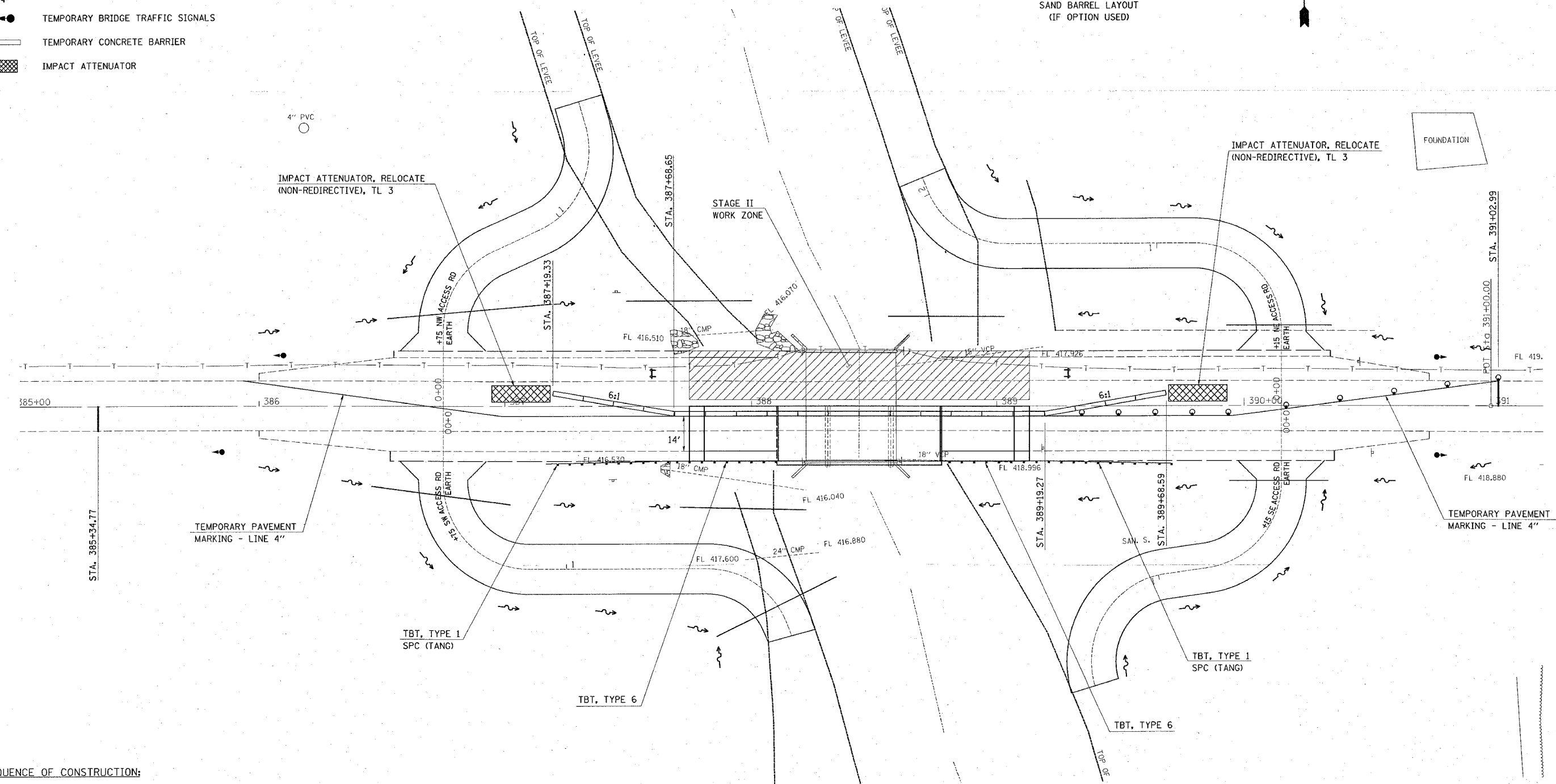
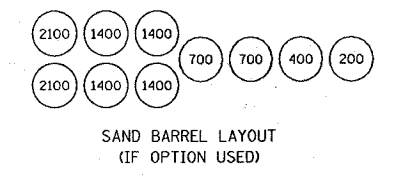
STAGE I CONSTRUCTION

FAU ROUTE 9079
SECTION 65BR
MADISON COUNTY
SN 060-0069 (E) 0236 (P)

PLOT DATE = 2/9/2007
FILE NAME = c:\p\projects\65br\plan\p1416699b.dgn
REFERENCE = 65BR

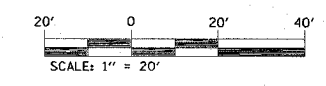
F.A.I. RTE.	SECTION	COUNTY	TOTAL SHEETS	SHEET NO.
9079	65BR	MADISON	46	15
STA.		TO STA.		
FED. ROAD DIST. NO.		ILLINOIS FED. AID PROJECT		

- LEGEND**
- BARRELS OR BARRICADES WITH STEADY BURNING LIGHT
 - TYPE III BARRICADE WITH FLASHING LIGHT
 - TEMPORARY BRIDGE TRAFFIC SIGNALS
 - TEMPORARY CONCRETE BARRIER
 - IMPACT ATTENUATOR



SEQUENCE OF CONSTRUCTION:

- PLACE GUARDRAIL ALONG EASTBOUND TRAFFIC SHOWN ON THE PLANS.
- RELOCATE 250 FT TEMPORARY CONCRETE BARRIER, BARRELS, AND IMPACT ATTENUATORS (2 EACH).
- REMOVE STEEL RAILING (TEMPORARY) & TRAFFIC BARRIER TERMINAL, TYPE 6A (2 EACH) FROM STAGE I.
- PERFORM ALL NECESSARY BRIDGE WORK IN STAGE II WORK ZONE.



REVISIONS	
NAME	DATE

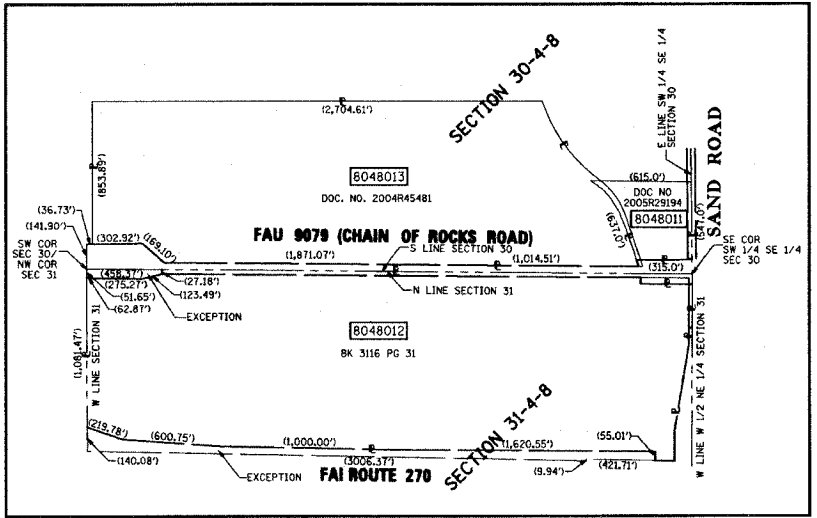
ILLINOIS DEPARTMENT OF TRANSPORTATION
STAGE II CONSTRUCTION
FAU ROUTE 9079
SECTION 65BR
MADISON COUNTY
SN 060-0069 (E) 0236 (P)

PLOT DATE = 2/1/2007
 FILE NAME = c:\projects\65br\plan\65br.dgn
 PLOT SCALE = 1" = 20'
 REFERENCE = REF

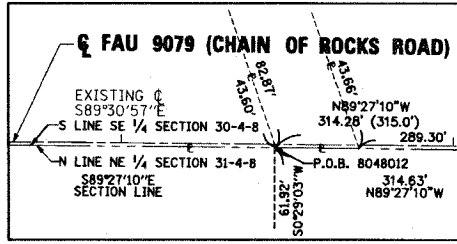
PART OF THE SE 1/4 OF SECTION 30, AND PART OF THE NE 1/4 OF SECTION 31, ALL IN T4N, R8W, OF THE 3RD PM, MADISON COUNTY, ILLINOIS

COORDINATES SHOWN HEREON ARE BASED ON SURVEY CONTROL DATA AS PROVIDED BY THE ILLINOIS DEPARTMENT OF TRANSPORTATION.

SECTION	COUNTY	TOTAL	DATE
9079	65BR	MADISON	46 16
STA. 385+00		TO STA. 391+00	
CONTRACT NO.:			

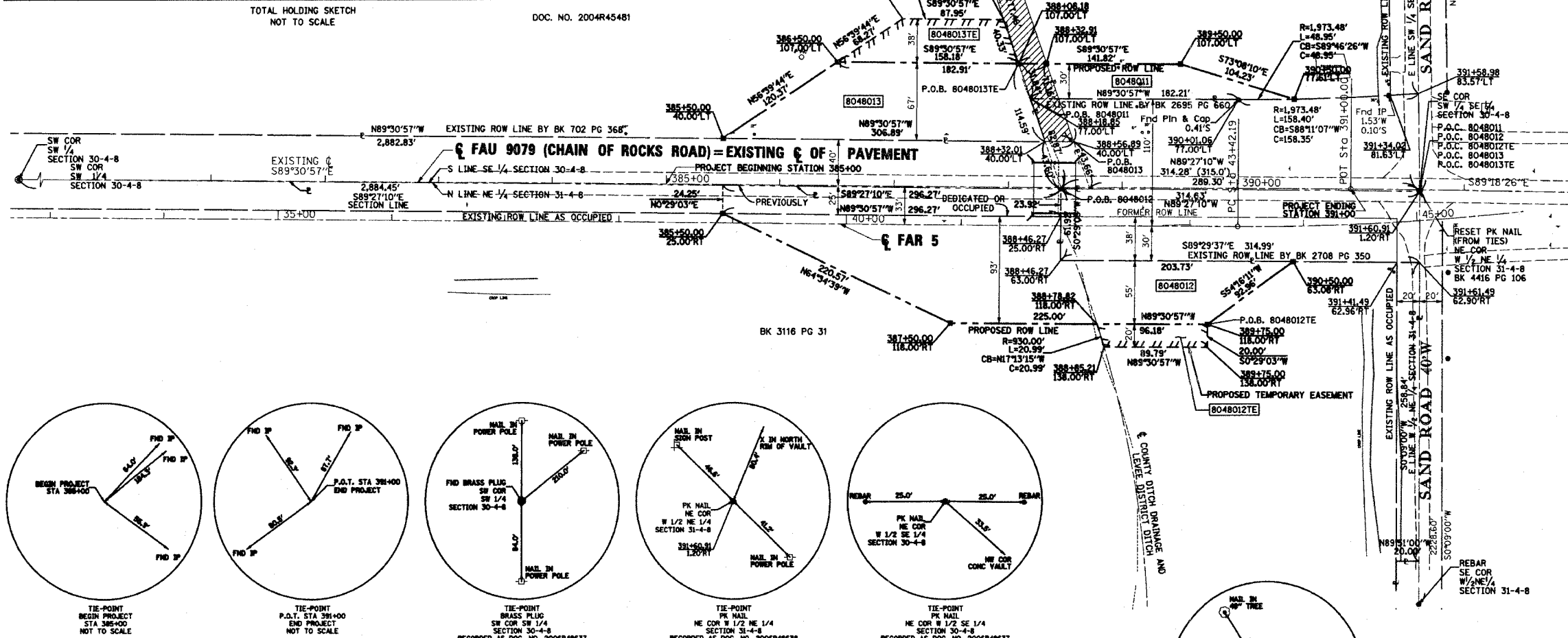


TOTAL HOLDING SKETCH NOT TO SCALE



SECTION LINE & DETAIL NOT TO SCALE

STATION	OFFSET	NORTH	EAST
385+00.00	0.00	762,392.2004	2,336,228.9416
385+50.00	40.00 LT	762,431.7765	2,336,219.2779
385+50.00	25.00 RT	762,366.7788	2,336,218.7286
386+50.00	107.00 LT	762,497.9290	2,336,379.8405
387+50.00	118.00 RT	762,272.0920	2,336,477.9355
388+08.18	107.00 LT	762,496.5922	2,336,539.0184
388+32.91	107.00 LT	762,496.3833	2,336,562.7416
388+66.89	40.00 LT	762,429.1830	2,336,586.1561
389+50.00	107.00 LT	762,495.3938	2,336,679.8298
389+75.00	118.00 RT	762,270.1905	2,336,702.9275
390+50.00	77.61 LT	762,465.1564	2,336,779.5778
390+50.00	63.08 RT	762,324.4758	2,336,779.3889
391+50.00	0.00	762,387.1300	2,336,829.9200
391+60.91	1.20 RT	762,385.1900	2,336,889.8068
SW COR SW 1/4 SEC 30		762,420.1267	2,333,232.5084
SE COR W 1/2 NE 1/4 SEC 31		760,156.6014	2,336,883.9771
NE COR W 1/2 SE 1/4 SEC 30		765,065.8820	2,336,861.3361



LEGEND

- EXISTING CENTERLINE
- EXISTING RIGHT OF WAY LINE
- EXISTING EASEMENT LINE
- PROPOSED CENTERLINE
- PROPOSED RIGHT OF WAY LINE
- PROPOSED TEMPORARY EASEMENT LINE
- PROPOSED PERMANENT EASEMENT LINE
- SECTION LINE
- QUARTER SECTION LINE
- QUARTER QUARTER SECTION LINE
- PROPERTY (DEED) LINE
- APL APPARENT PROPERTY LINE
- MEASURED DIMENSION 121.45
- COMPUTED DIMENSION 123.45 (COMP)
- RECORDED DIMENSION 123.45
- FOUND IRON PIPE OR IRON ROD AT CORNER UNLESS OTHERWISE NOTED
- SET 3/8 INCH IRON ROD AT CORNER UNLESS OTHERWISE NOTED
- PERMANENT SURVEY MONUMENT, I.D.O.T. STD. 667101 (TO BE SET BY OTHERS)
- CUT CROSS FOUND OR SET
- SAME OWNERSHIP
- EXISTING BUILDING

■ STAKING OF PROPOSED RIGHT OF WAY. SET 3/8 INCH METAL ROD WITH DIVISION OF HIGHWAY SURVEY MARKER TO MONUMENT THE POSITION SHOWN, IDENTIFIED BY INSCRIPTION DATA AND SURVEYORS REGISTRATION NUMBER.

■ STAKING OF PROPOSED RIGHT OF WAY IN CULTIVATED AREAS. SET 3/8 INCH METAL ROD WITH DIVISION OF HIGHWAY SURVEY MARKER 20 INCHES BELOW GROUND SURFACE TO MONUMENT THE POSITION SHOWN, IDENTIFIED BY INSCRIPTION DATA AND SURVEYORS REGISTRATION NUMBER.

STATE OF ILLINOIS)
) SS
 COUNTY OF MADISON)

I, LARRY L. STAHLHUT, AN ILLINOIS PROFESSIONAL LAND SURVEYOR, CERTIFY THAT I HAVE SURVEYED THE PLAT OF HIGHWAY SHOWN HEREON AND THAT THIS PROFESSIONAL SERVICE CONFORMS TO THE CURRENT ILLINOIS MINIMUM STANDARDS FOR A BOUNDARY SURVEY FOR THE PROPOSED PARCEL(S) TO BE ACQUIRED BY THE STATE OF ILLINOIS, DEPARTMENT OF TRANSPORTATION, SHOWN HEREON.

DATED 9-18-06
 LARRY L. STAHLHUT, PLS NO. 2214
 LICENSE EXPIRATION DATE: 11/30/2006



CMT
 CRAWFORD, MURPHY & TILLY, INC.
 CONSULTING ENGINEERS
 314 WOLF STREET EDWARDSVILLE, IL 62225
 PHONE: (618) 666-0470

ILLINOIS DEPARTMENT OF TRANSPORTATION
PLAT OF HIGHWAYS
 FAU 9079 (CHAIN OF ROCKS ROAD)
 SECTION 65BR
 MADISON COUNTY
 JOB NO. R-98-048-00

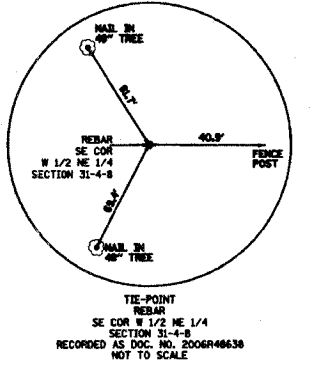
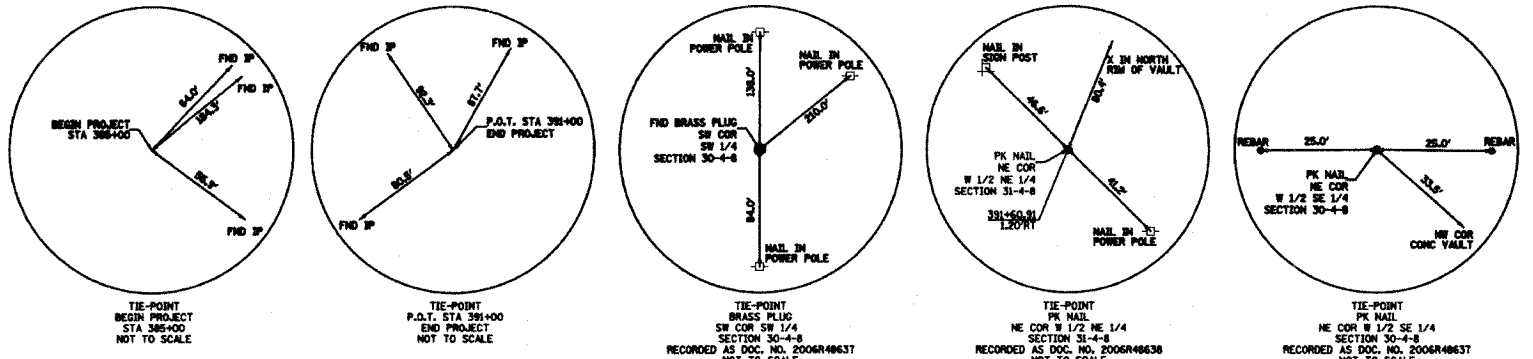
STATION 385+00 TO STATION 391+00
 SCALE: 1" = 50'

ILLINOIS DEPARTMENT OF TRANSPORTATION
 DIVISION OF HIGHWAYS/DISTRICT 8
 1102 EASTPORT PLAZA DRIVE
 COLLINGSVILLE, ILLINOIS 62234-6196

SHEET 1 IS A COVER SHEET
 SHEET 2 OF 2

PARCEL NO.	OWNER	TOTAL HOLDING ACRES	FEE SIMPLE ACQUISITION				REMAINDER ACRES	EASEMENTS		PERMANENT TAX NUMBER	PROPERTY ACQUIRED BY		
			GROSS ACRES	PREVIOUSLY DEDICATED ACRES	NET ACRES	SO. FT.		PE - PERMANENT ACRES	TE - TEMPORARY ACRES				
804801	RF & M, INC. AS TO AN UNDIVIDED 1/2 INTEREST, EDWARD TROBER AS TO AN UNDIVIDED 1/4 INTEREST AND RICHARD R. ZOELLNER AND CLARA ZOELLNER, HUSBAND AND WIFE AS JOINT TENANTS AS TO AN UNDIVIDED 1/4 INTEREST TITLE REPORT MA-3763.0	4.7115	0.1289	5,615	N/A	N/A	0.1289	5,615	4,5826	N/A	N/A	14-1-15-30-00-000-007	
804802	ARTHUR H. FABER AND WALTER DEAN FABER AS JOINT TENANTS TITLE REPORT MA-3765.0	85.6336	0.7926	34,526	0.1638	7,135	0.6288	27,391	84,8410	TE=0.0427	TE=1,859	ENTRANCE CONSTRUCTION & GRADING 14-1-15-31-00-000-001 14-1-15-31-00-000-002	
804803	PEORIA BB & B LLC, A MISSOURI LIMITED LIABILITY COMPANY TITLE REPORT MA-3766.0	66.7847	0.3767	16,408	0.0211	919	0.3556	15,489	66,4080	TE=0.1074	TE=4,677	ENTRANCE CONSTRUCTION & GRADING 14-1-15-30-00-000-002.002	

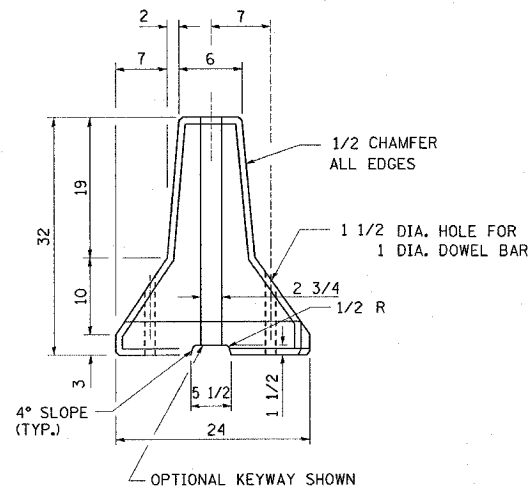
NO.	DATE	DESCRIPTION



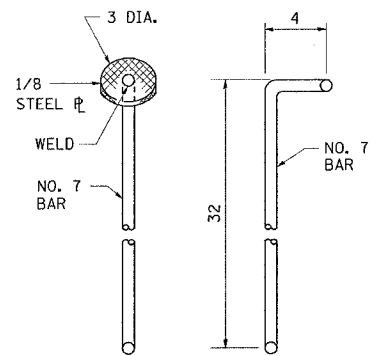
COMPLETION DATE OF FIELD WORK PERFORMED
 LAND SURVEY: JAN. 12, 2006
 RIGHT OF WAY STAKING: MAY 10, 2006

PLOT DATE: DATE-TIME

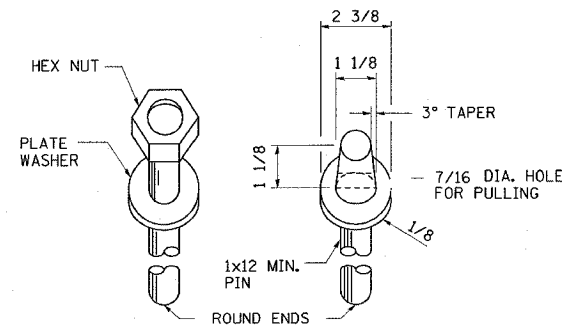
F.A.U. RTE.	SECTION	COUNTY	TOTAL SHEETS	SHEET NO.
9177	44-1BR	ST. CLAIR	46	17
STA.		TO STA.		
FED. ROAD DIST. NO.		ILLINOIS FED. AID PROJECT		



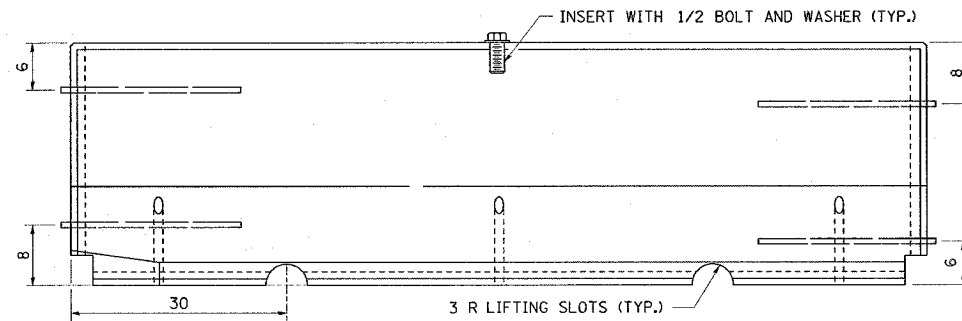
END VIEW
(WITHOUT WIRE ROPE LOOPS)



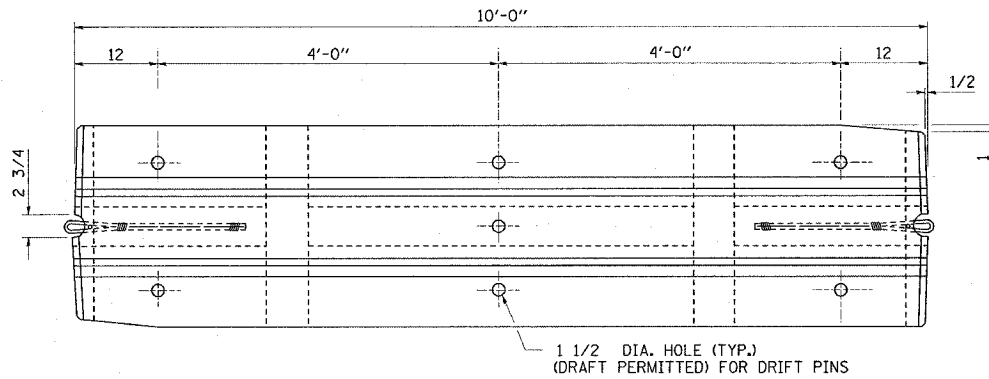
ALTERNATE CONNECTING PINS



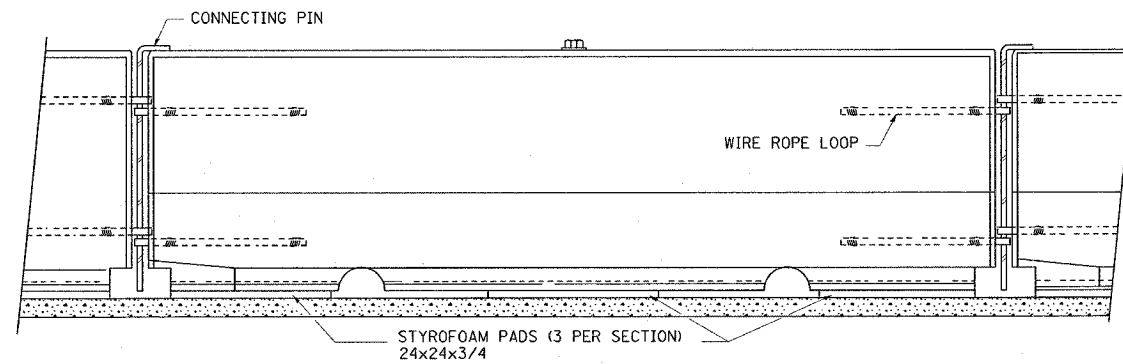
DOWEL BARS



ELEVATION



PLAN



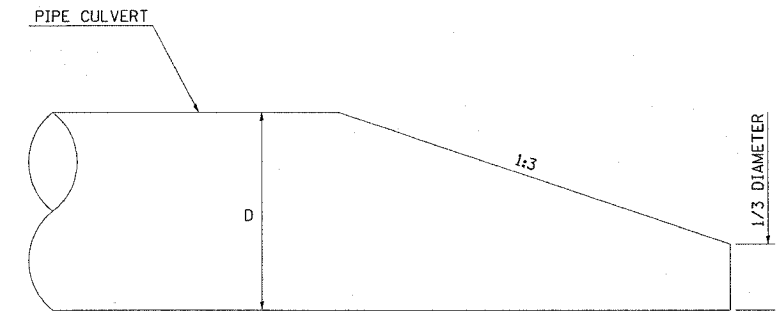
TYPICAL INSTALLATION WITH STYROFOAM PADS

**TEMPORARY CONCRETE BARRIER
NJ SHAPE DESIGN**

NOTES:
NEW JERSEY (NJ) SHAPE BARRIER SHALL NOT BE PRODUCED AFTER OCTOBER 1, 2002. HOWEVER, NEW JERSEY SHAPE BARRIER PRODUCED PRIOR TO OCTOBER 1, 2002 MAY BE USED UNTIL JANUARY 1, 2008.

THE NJ SHAPE BARRIER UNITS SHALL BE SEATED ON STYROFOAM PADS EXCEPT WHEN THEY ARE ANCHORED.

NJ SHAPE DOWEL BARS SHALL BE EMBEDDED AT LEAST 8 INCHES INTO THE PAVEMENT, AND SHALL NOT PROJECT ABOVE THE OUTER SURFACE OF THE BARRIER. THE CONNECTING PIN FOR THE NJ SHAPE PIN AND LOOP CONNECTION, MAY BE EITHER A PLAIN 7/8 INCH DIAMETER OR A DEFORMED NO. 7 BAR MEETING THE REQUIREMENTS OF ARTICLE 1006.10(b) EXCEPT GRADE 60 BARS SHALL BE USED.



D = DIAMETER OF PIPE
CULVERT BEVELLED END SECTION DETAIL

THE BEVELLED END PORTION SHALL BE INCLUDED IN THE UNIT PRICE PER FOOT FOR THE PIPE

ALL DIMENSIONS ARE IN INCHES UNLESS OTHERWISE SHOWN.

REVISIONS	
NAME	DATE

ILLINOIS DEPARTMENT OF TRANSPORTATION
MISCELLANEOUS DETAILS
FAU ROUTE 9079
SECTION 65BR
MADISON COUNTY
SN 060-0069 (E) 0236 (P)

STATE OF ILLINOIS
DEPARTMENT OF TRANSPORTATION

ROUTE NO.	SECTION	COUNTY	DISTRICT	SHEET NO.	SHEET NO. 1
F.A.U. 9079	65BR	MADISON	46	18	11 SHEETS
FED. ROAD DIST. NO. 7	ILLINOIS	FED. AID PROJECT			

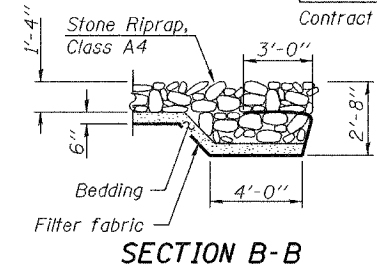
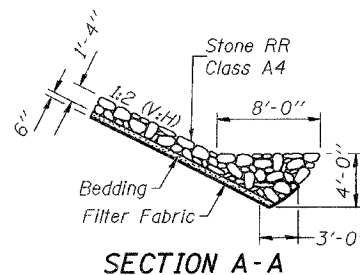
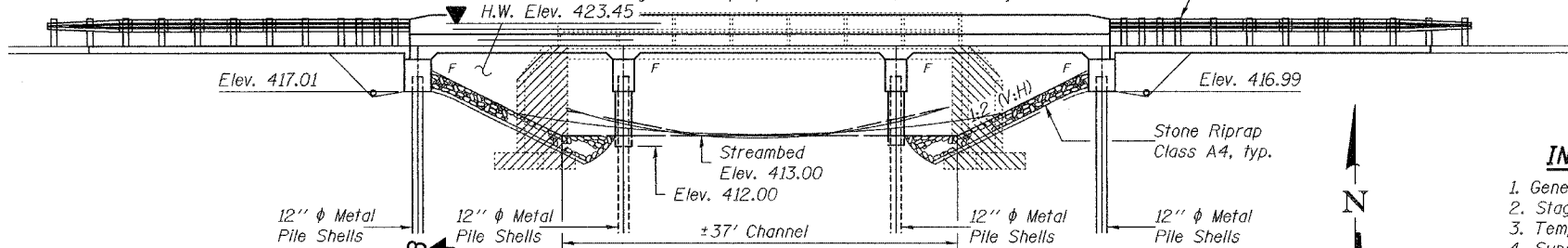
Bench Mark: Square cut on S.E. corner of wingwall of bridge. Elevation 421.96.

Existing Structure: S.N. 060-0069 built in 1920 as F.A.P. 8 section Y. Widened and reconstructed in 1932 as S.B.I. Route 4 section 65-B. The existing superstructure consists of a reinforced concrete deck supported by single span steel wide flange beams. The substructure consists of closed abutments. The back to back of abutment length is 38'-0" and the face to face width of the deck is 42'-9". The structure is to be replaced. During construction, traffic will be maintained using stage construction.

No salvage

For quantities of Pavement Removal and Excavation between the existing and the proposed abutments, see Roadway Plans.

Traffic Barrier Terminal Std. 631031 Type 6 typ.



STATION 388+43.96
BUILT 20 BY
STATE OF ILLINOIS
F.A.U. RT. 9079 - SEC. 65BR
LOADING HS20
STR. NO. 060-0236

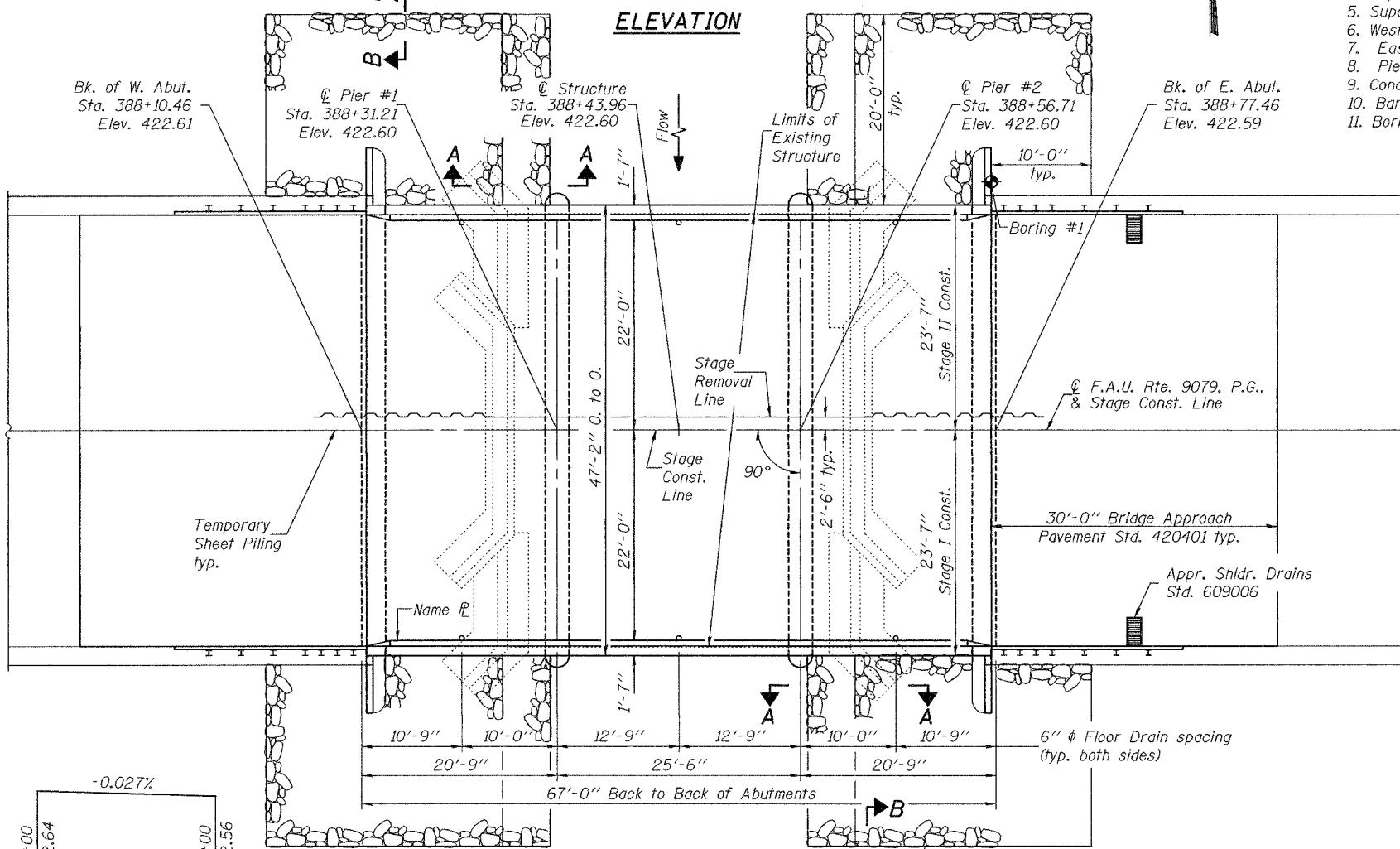
NAME PLATE
See Std. 515001

INDEX OF SHEETS

1. General Plan and Elevation
2. Stage Construction Details
3. Temporary Concrete Barrier for Stage Construction
4. Superstructure
5. Superstructure Details
6. West Abutment
7. East Abutment
8. Piers
9. Concrete Pile Details
10. Bar Splicer Assembly Details
11. Boring Logs

GENERAL NOTES

Reinforcement bars shall conform to the requirements of ASTM A 706 Gr 60 (IL Modified). See Special Provisions.
Layout of slope protection system may be varied in the field to suit ground conditions as directed by the Engineer.
The Contractor shall drive test piles to 110% of the nominal required bearing specified in production locations at substructures specified or approved by the Engineer before ordering the remainder of piles.
The backfill behind the abutments shall be placed after the deck slab is in place and the forms removed.
The existing structural steel coating contains lead. The Contractor shall take appropriate precautions to deal with the presence of lead on this project. Reinforcement bars designated (E) shall be epoxy coated.



PLAN

WATERWAY INFORMATION

Drainage Area = 7.72 sq. mi. Low Grade Elev. 422.43 @ Sta. 388+22

Flood	Freq. Yr.	Q C.F.S.	Opening Sq. Ft. Exist.	Prop.	Nat. H.W.E. Exist.	Prop.	Head - Ft. Exist.	Prop.	Headwater El. Exist.	Prop.
Design	50	839	239	312	423.45	0.09	0.08	423.54	423.53	
Base	100	1138	239	312	424.90	0.10	0.10	425.00	425.00	
Overtopping	17	640	239	312	422.30	0.13	0.13	423.43	423.43	
Max. Calc.	500	-	-	-	-	-	-	-	-	-

LOADING HS20-44

Allow 50#/sq. ft. for future wearing surface.

DESIGN SPECIFICATIONS

1996 AASHTO with 1997 thru 2002 Interims

DESIGN STRESSES

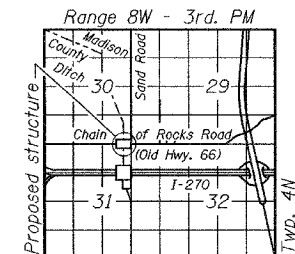
FIELD UNITS
f_c = 3,500 psi
f_y = 60,000 psi (reinforcement)

SEISMIC DATA

Seismic Performance Category (SPC) = B
Bedrock Acceleration Coefficient (A) = 0.10g
Site Coefficient (S) = 1.5

TOTAL BILL OF MATERIAL

ITEM	UNIT	SUPER	SUB	TOTAL
Porous Granular Embankment (Special)	Cu. Yd.		78	78
Stone Riprap, Class A4	Sq. Yd.		437	437
Filter Fabric	Sq. Yd.		437	437
Removal of Existing Structures	Each			1
Structure Excavation	Cu. Yd.		184	184
Floor Drains	Each	6		6
Concrete Structures	Cu. Yd.		100.0	100.0
Concrete Superstructure	Cu. Yd.	169.8		169.8
Bridge Deck Grooving	Sq. Yd.	308		308
Protective Coat	Sq. Yd.	378		378
Reinforcement Bars, Epoxy Coated	Pound	29410	11280	40690
Test Pile Metal Shells	Each		2	2
Temporary Sheet Piling	Sq. Ft.		827	827
Name Plates	Each	1		1
Furnishing Metal Pile Shells 12" φ	Foot		1134	1134
Driving Piles	Foot		1134	1134
Underwater Structure Excavation Protection Loc. 1	Each		1	1
Underwater Structure Excavation Protection Loc. 2	Each		1	1
Bar Splicers	Each	122	64	186
Pipe Underdrains for Structures, 4"	Foot		148	148
Geocomposite Wall Drain	Sq. Yd.		48	48



LOCATION SKETCH

GENERAL PLAN & ELEVATION
OLD HIGHWAY 66 OVER
MADISON COUNTY DITCH
F.A.U. ROUTE 9079 - SECTION 65BR
MADISON COUNTY
STATION 388+43.96
STRUCTURE NO. 060-0236

DESIGNED	Adrian J. Krump
CHECKED	J.P.A. & T.R.B.
DRAWN	BECKY M. LEACH
CHECKED	ATG/GRA

November 22, 2006
EXAMINED *Thomas J. Anderson*
PASSED *Ralph E. Anderson*
ENGINEER OF BRIDGE DESIGN
ENGINEER OF BRIDGES AND STRUCTURES

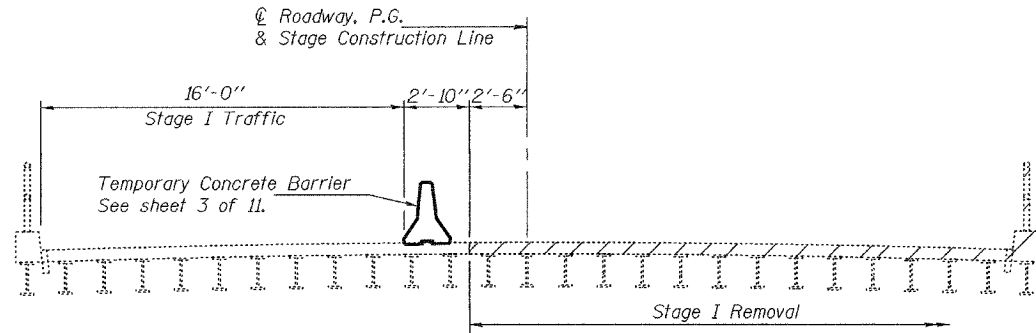


EXPIRES 11-30-2008

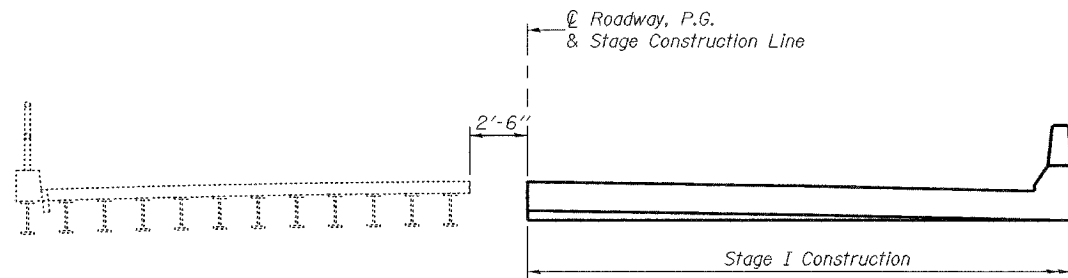
STATE OF ILLINOIS
DEPARTMENT OF TRANSPORTATION

ROUTE NO. F.A.U. 9079	SECTION 65BR	COUNTY MADISON	DATE 4/19	SHEET NO. 19	SHEET NO. 2 11 SHEETS
FED. ROAD DIST. NO. 7		ILLINOIS	FED. AID PROJECT-		

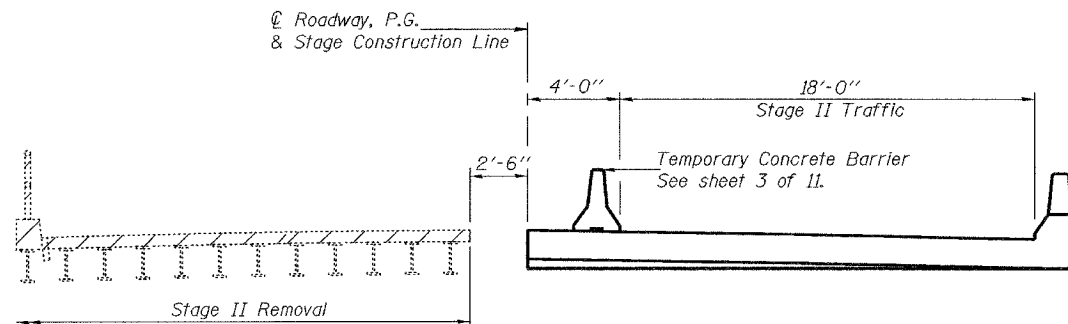
Contract 76136



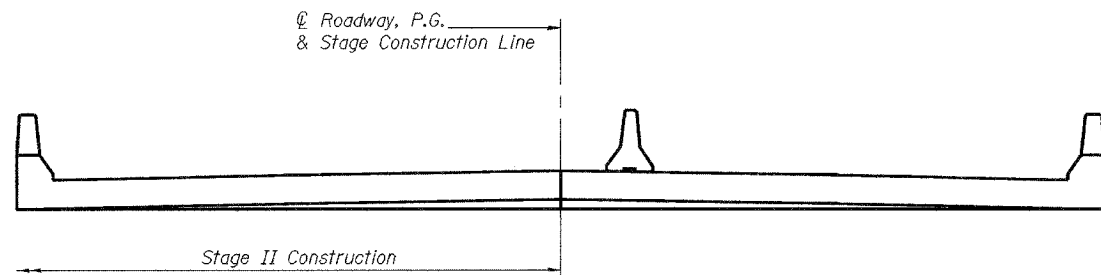
STAGE I REMOVAL



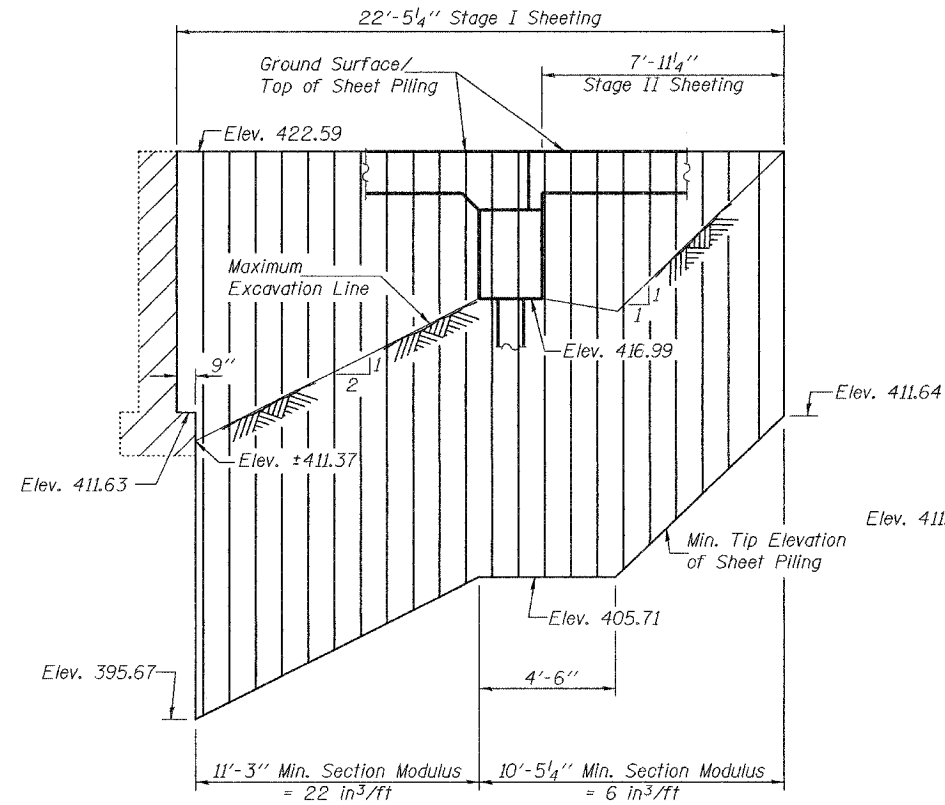
STAGE I CONSTRUCTION



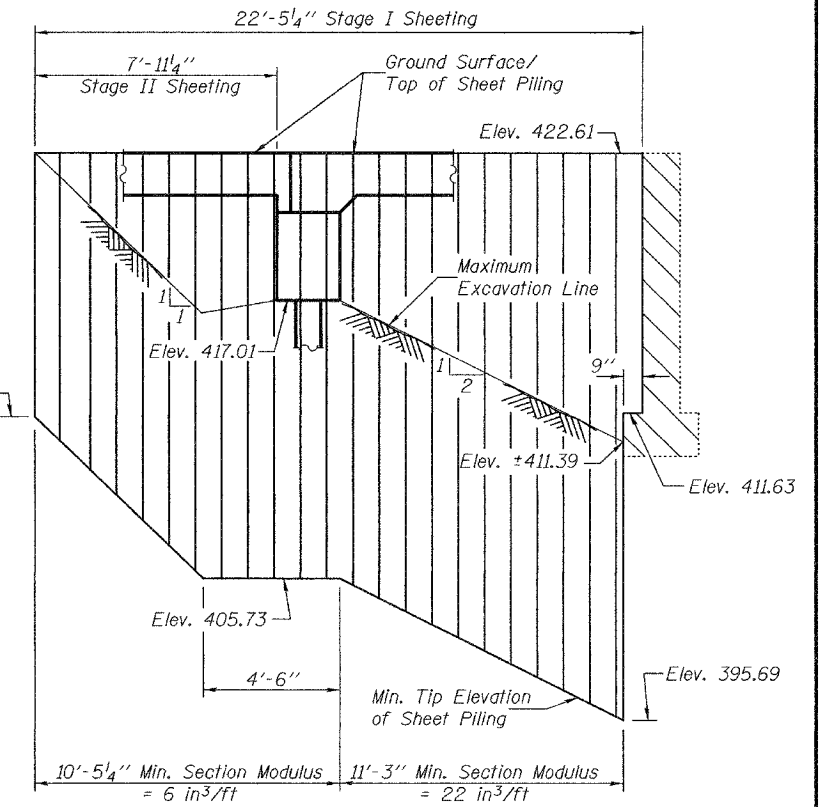
STAGE II REMOVAL



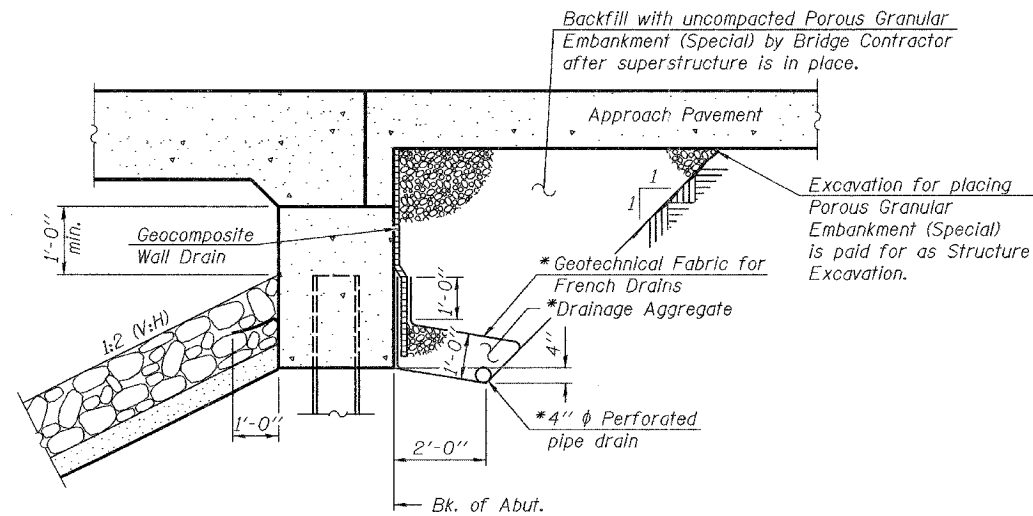
STAGE II CONSTRUCTION



TEMPORARY SHEET PILING AT EAST ABUTMENT



TEMPORARY SHEET PILING AT WEST ABUTMENT



SECTION THRU INTEGRAL ABUTMENT

* Included in the cost of Pipe Underdrains for Structures, 4".

All drainage system components shall extend to 2'-0" from the end of each wingwall except an outlet pipe shall extend until intersecting with the side slopes. The pipes shall drain into concrete headwalls. (See Article 601.05 of the Standard Specifications and Highway Standard 601101).

Notes:
Hatched area indicates Removal of Existing Structures. All staging sections are looking East. For quantity of Temporary Concrete Barriers, see Roadway Plans.
If the Contractor chooses to alter the temporary cantilevered sheet piling design requirements shown on the plans, a design submittal including plan details and calculations will be required for review and acceptance by the Engineer.
The Contractor shall connect the first sheet to the existing abutment wall to ensure stability of sheets driven to the top of the existing footing. This connection shall be reviewed and accepted by the Engineer and included in the cost for Temporary Sheet Piling.

DESIGNED	R.L.T.
CHECKED	J.P.A. & T.R.B.
DRAWN	BECKY M. LEACH
CHECKED	R.L.T. & G.R.A.

EXAMINED	November 22, 2006
PASSED	Thomas J. Demagala ENGINEER OF BRIDGE DESIGN
	Ralph E. Anderson ENGINEER OF BRIDGES AND STRUCTURES

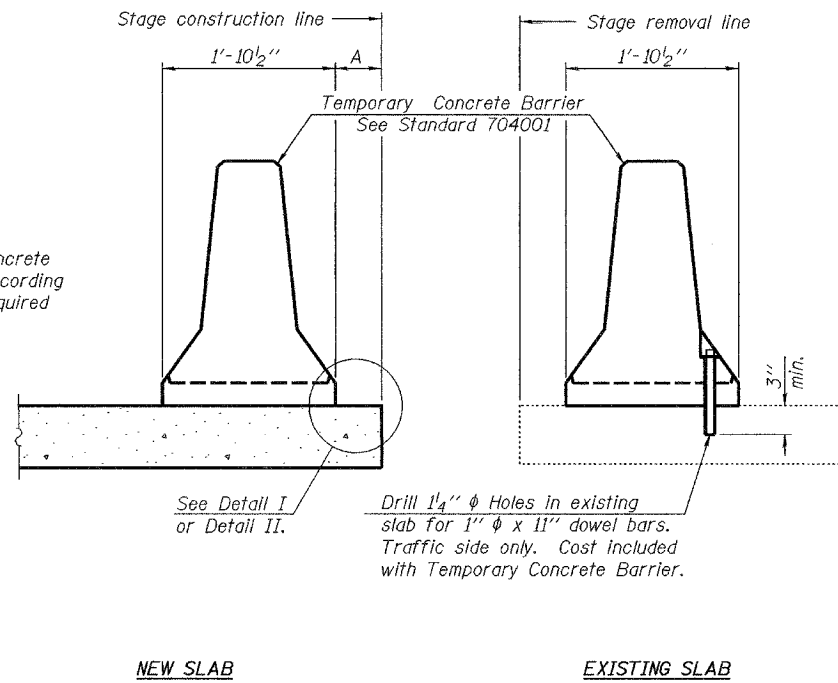
STAGE CONSTRUCTION DETAILS
F.A.U. ROUTE 9079 - SECTION 65BR
MADISON COUNTY
STATION 388+43.96
STRUCTURE NO. 060-0236

STATE OF ILLINOIS
DEPARTMENT OF TRANSPORTATION

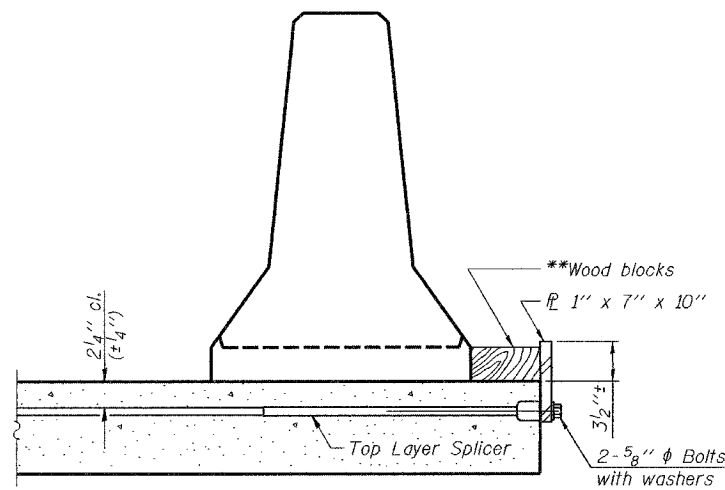
ROUTE NO.	SECTION	COUNTY	TOTAL SHEETS	SHEET NO.	SHEET NO. 3
F.A.U. 9079	65BR	MADISON	46	20	11 SHEETS
FED. ROAD DIST. NO. 7	ILLINOIS	FED. AID PROJECT			

Contract 76136

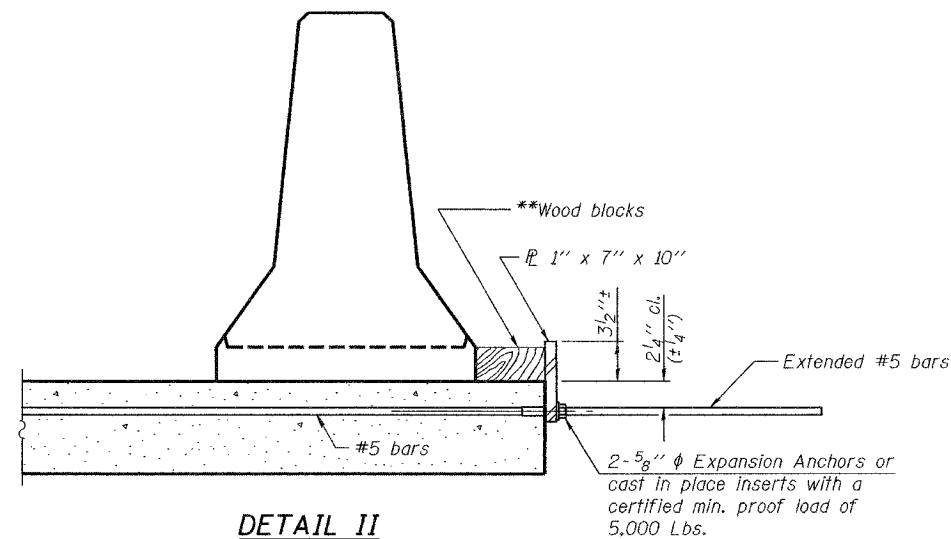
When "A" is 3'-6" or less, the temporary concrete barrier shall be anchored to the new slab according to Detail I or Detail II. No anchorage is required when "A" is greater than 3'-6".



SECTIONS THRU SLAB



DETAIL I

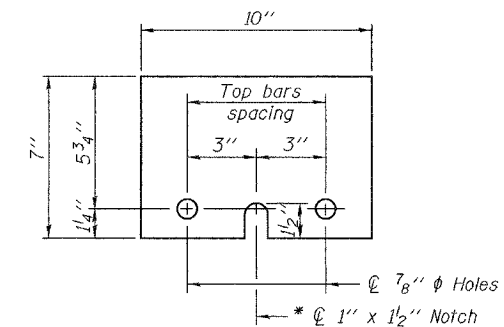


DETAIL II

** Wood blocks may be omitted when required to provide minimum stage traffic lane width. When the wood blocks are omitted, the concrete barrier shall be in direct contact with the steel retainer plate.

NOTES

- Detail I - With Bar Splicer or Couplers:
Connect one (1) 1"x7"x10" steel \bar{L} to the top layer of couplers with 2-5/8" φ bolts screwed to coupler at approximate \bar{C} of each barrier panel.
- Detail II - With Extended Reinforcement Bars:
Connect one (1) 1"x7"x10" steel \bar{L} to the concrete slab with 2-5/8" φ Expansion Anchors or cast in place inserts spaced between the top layer of reinforcement at approximate \bar{C} of each barrier panel.
- Cost of anchorage is included with Temporary Concrete Barrier. The 1" x 7" x 10" plate shall not be removed until stage II construction forms and all reinforcement bars are in place and the concrete is ready to be placed.



STEEL RETAINER \bar{L} 1" x 7" x 10"

* Required only with Detail II

DESIGNED	R.L.T.
CHECKED	J.P.A. & T.R.B.
DRAWN	BECKY M. LEACH
CHECKED	R.L.T. & G.R.A.

November 22, 2006

EXAMINED *Thomas J. Domagala*
ENGINEER OF BRIDGE DESIGN

PASSED *Ralph E. Anderson*
ENGINEER OF BRIDGES AND STRUCTURES

R-27

11-1-06

TEMPORARY CONCRETE BARRIER
FOR STAGE CONSTRUCTION
F.A.U. ROUTE 9079 - SECTION 65BR
MADISON COUNTY
STATION 388+43.96
STRUCTURE NO. 060-0236

Notes:

See sheet 5 of 11 for superstructure details, parapet reinforcement and Bill of Materials.
 See sheet 10 of 11 for bar splicer details.
 Bars indicated thus 2x3-#5 bars etc. indicates 2 lines of bars with 3 lengths per line.
 See sheet 5 of 11 for Sections A-A and B-B.

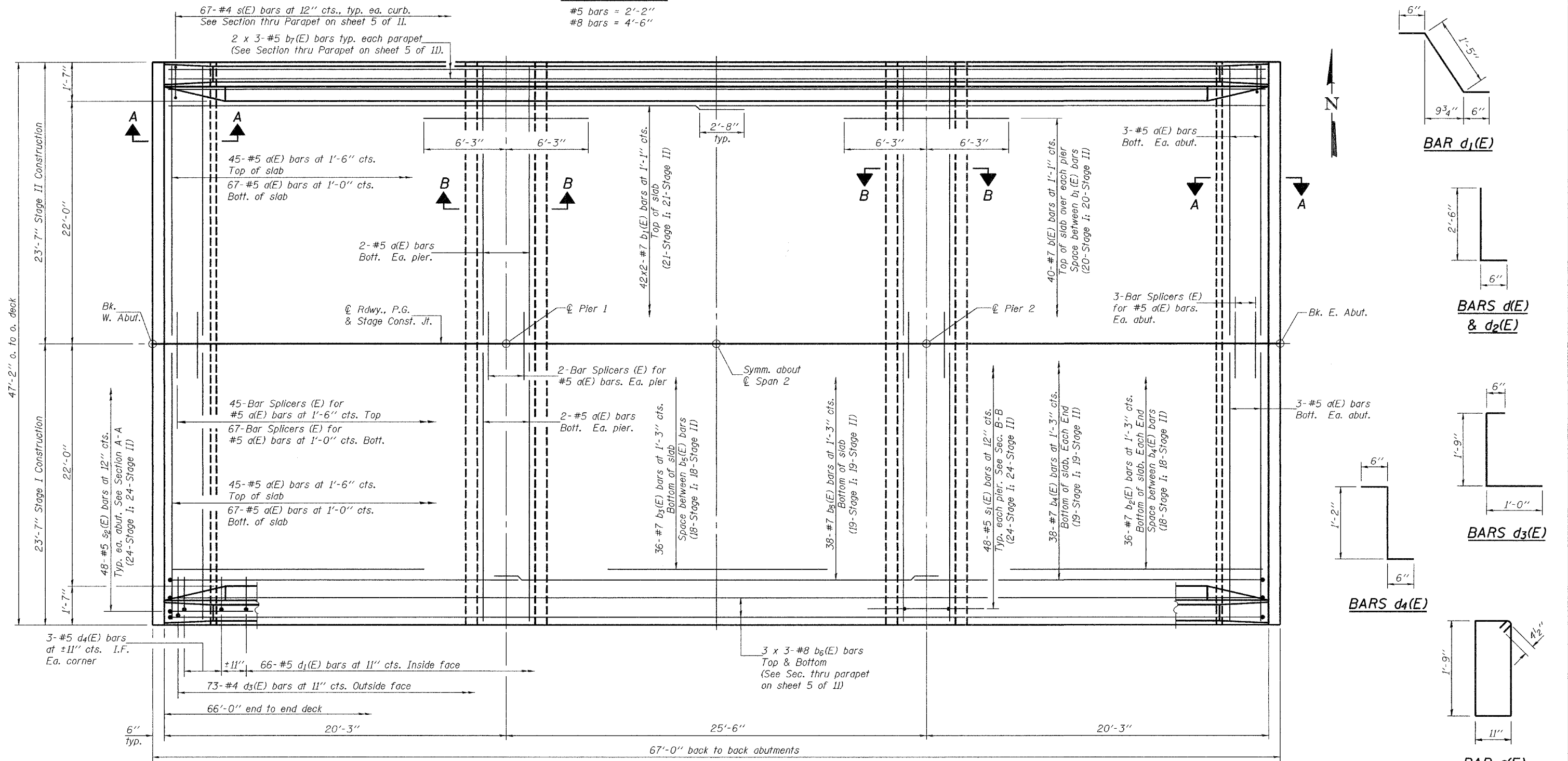
STATE OF ILLINOIS
 DEPARTMENT OF TRANSPORTATION

ROUTE NO. F.A.U. 9079	SECTION 65BR	COUNTY MADISON	TOTAL SHEETS 40	SHEET NO. 21	SHEET NO. 4 11 SHEETS
FED. ROAD DIST. NO. 7		ILLINOIS	FED. AID PROJECT		

Contract 76136

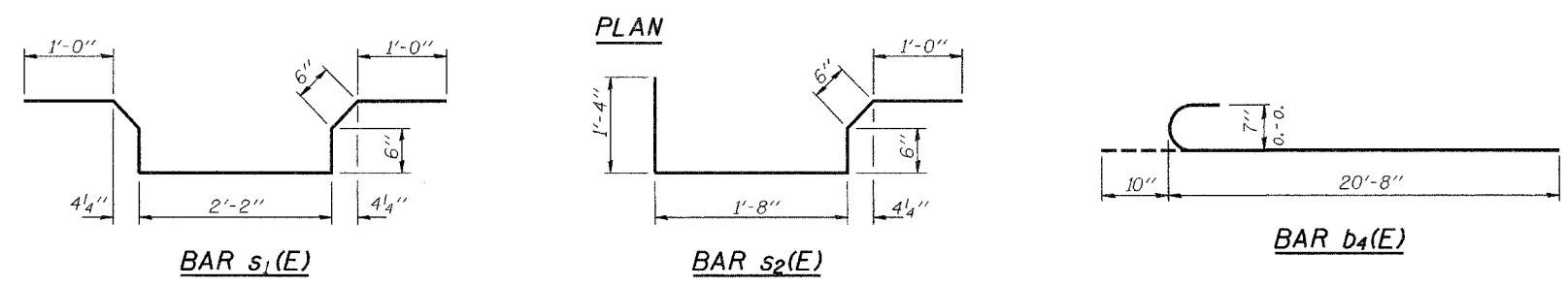
MIN. BAR LAPS

#5 bars = 2'-2"
 #8 bars = 4'-6"



DESIGNED	R.L.T.
CHECKED	J.P.A. & T.R.B.
DRAWN	BECKY M. LEACH
CHECKED	R.L.T. & G.R.A.

EXAMINED	November 22, 2006
PASSED	Thomas J. Duggan ENGINEER OF BRIDGE DESIGN
	Ralph E. Anderson ENGINEER OF BRIDGES AND STRUCTURES

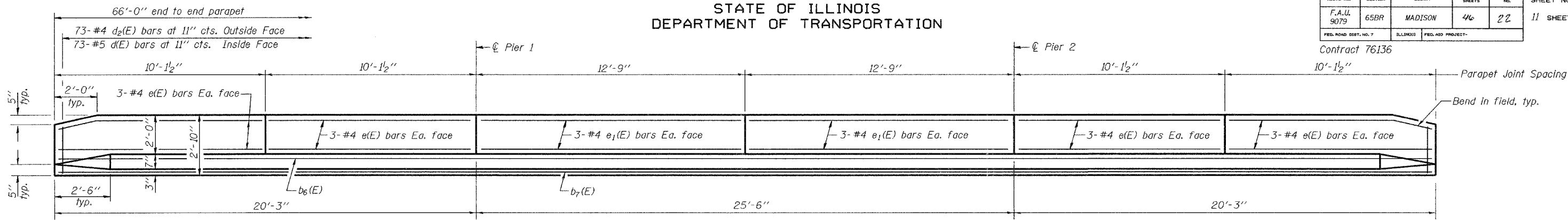


SUPERSTRUCTURE
 F.A.U. ROUTE 9079 - SECTION 65BR
 MADISON COUNTY
 STATION 388+43.96
 STRUCTURE NO. 060-0236

STATE OF ILLINOIS
DEPARTMENT OF TRANSPORTATION

ROUTE NO.	SECTION	COUNTY	TOTAL SHEETS	SHEET NO.	SHEET NO. 5
F.A.U. 9079	65BR	MADISON	46	22	11 SHEETS
FED. ROAD DIST. NO. 7	ILLINOIS	FED. AID PROJECT-			

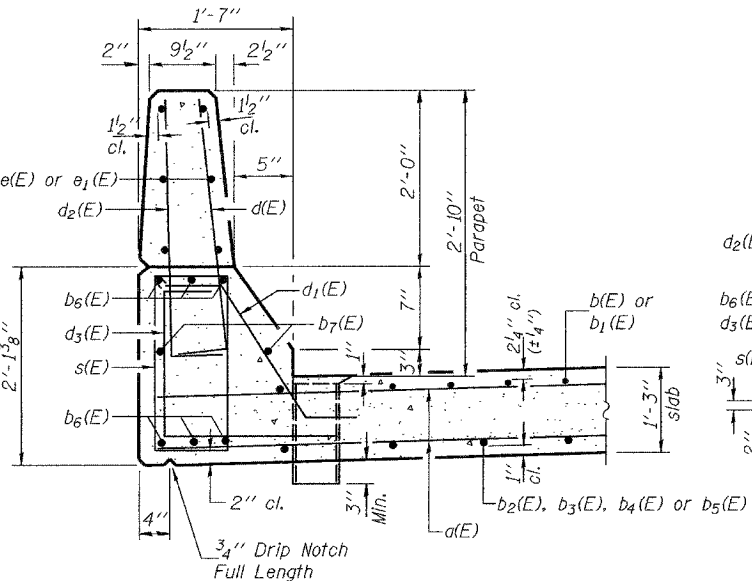
Contract 76136



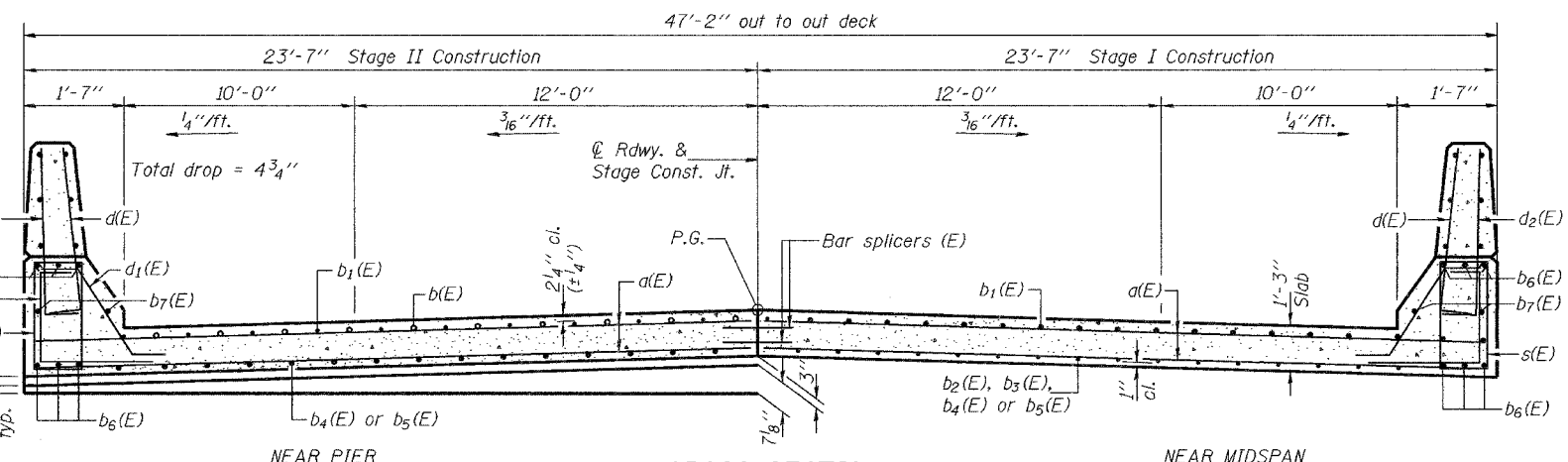
INSIDE ELEVATION OF PARAPET
(Looking North)

Notes:

- See sheet 1 of 11 for floor drain spacing. Space reinforcement bars to clear drains.
- See sheet 10 of 11 for bar splicer details.
- See sheet 4 of 11 for location of Sections A-A and B-B.
- The exterior surfaces of the floor drains shall be coated or pigmented by the manufacturer with a color that matches the color of the concrete.
- Fiberglass pipe shall conform to ASTM D 2996, with short-time rupture strength hoop tensile stress of 30,000 psi minimum.
- The Contractor shall make allowance for the deflection of forms, shrinkage and settlement of falsework, in addition to allowance for dead load deflection. Forms for deck slab shall be removed prior to placement of bridge approach pavement.



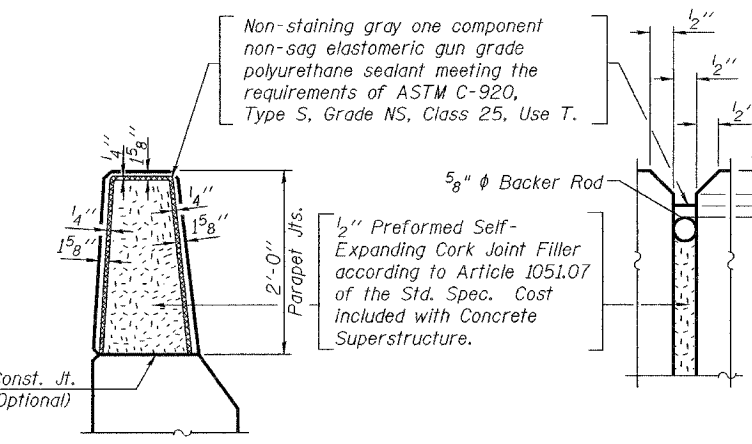
SECTION THRU PARAPET



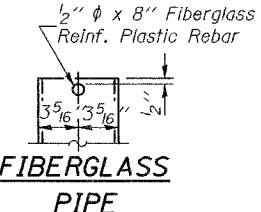
CROSS SECTION
(Looking East)

SUPERSTRUCTURE
BILL OF MATERIAL

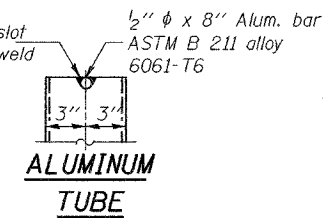
Bar	No.	Size	Length	Shape
d(E)	244	#5	23'-4"	—
b(E)	80	#7	12'-6"	—
b1(E)	84	#7	34'-2"	—
b2(E)	72	#7	17'-0"	—
b3(E)	36	#7	18'-6"	—
b4(E)	76	#7	21'-6"	—
b5(E)	38	#7	26'-6"	—
b6(E)	36	#8	25'-0"	—
b7(E)	12	#5	23'-5"	—
d(E)	146	#5	3'-0"	┘
d1(E)	132	#5	2'-5"	┘
d2(E)	146	#4	3'-0"	┘
d3(E)	146	#4	3'-3"	┘
d4(E)	12	#5	2'-2"	┘
e(E)	48	#4	9'-10"	—
e1(E)	24	#4	12'-5"	—
s(E)	134	#4	6'-1"	□
s1(E)	96	#5	6'-2"	┘
s2(E)	96	#5	5'-0"	┘
Reinforcement Bars, Epoxy Coated		Lbs.	29410	
Concrete Superstructure		Cu. Yds.	169.8	



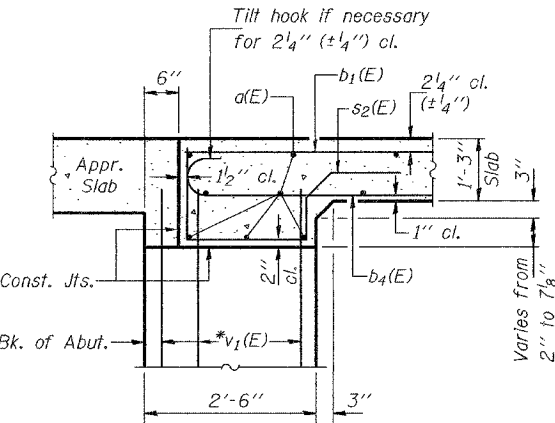
PARAPET JOINT DETAILS



FIBERGLASS PIPE

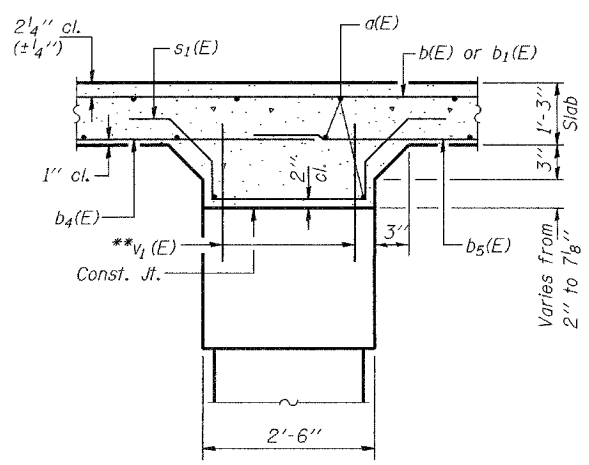


ALUMINUM TUBE



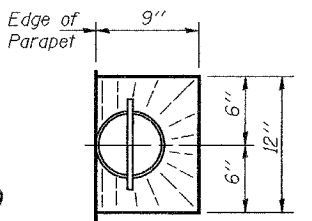
SECTION A-A

*v1(E) bars billed with abutments. See sheets 6 & 7 of 11.

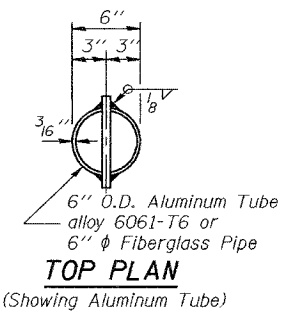


SECTION B-B

**v1(E) bars billed with piers. See sheet 8 of 11.



TOP PLAN



TOP PLAN
(Showing Aluminum Tube)

DESIGNED	R.L.T.
CHECKED	J.P.A. & T.R.B.
DRAWN	BECKY M. LEACH
CHECKED	R.L.T. & G.R.A.

EXAMINED	November 22, 2006
THOMAS J. DOMAGALA	ENGINEER OF BRIDGE DESIGN
PASSED	RALPH E. ANDERSON
	ENGINEER OF BRIDGES AND STRUCTURES

SUPERSTRUCTURE DETAILS
F.A.U. ROUTE 9079 - SECTION 65BR
MADISON COUNTY
STATION 388+43.96
STRUCTURE NO. 060-0236

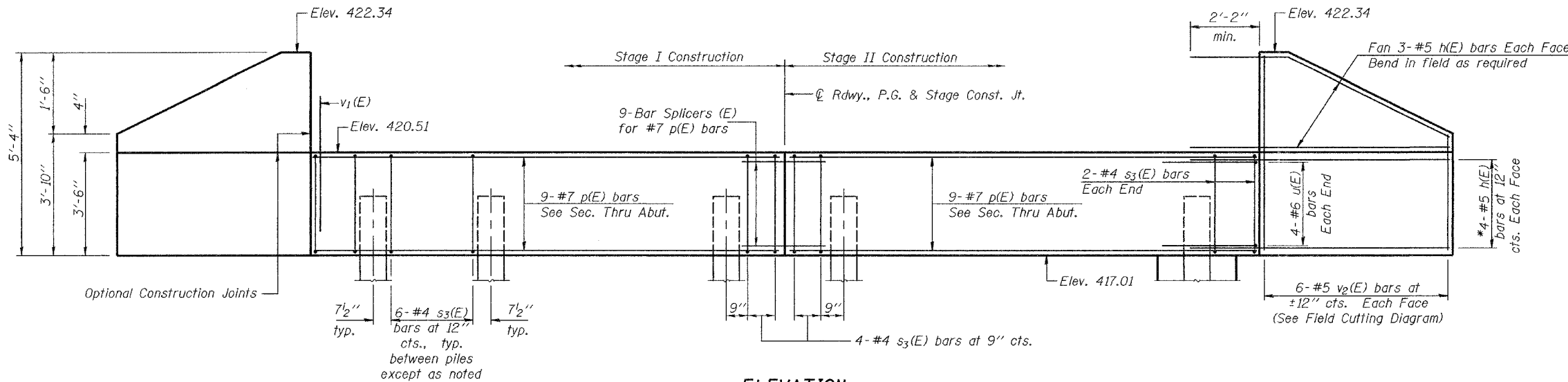
Notes: For bar splicer details see sheet 10 of 11.

Excavation behind existing abutment walls shall be performed to balance front and back soil pressure before removing the existing superstructure. The Contractor shall sawcut the upper portion of the existing abutment at the stage removal line before Stage I removal to ensure the remaining portion will not be prematurely damaged.

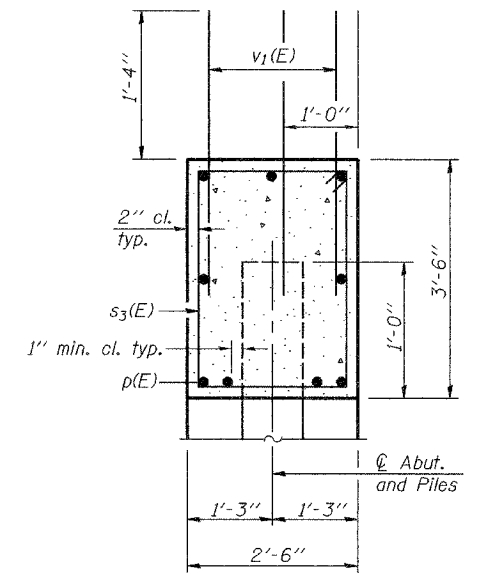
STATE OF ILLINOIS
DEPARTMENT OF TRANSPORTATION

ROUTE NO.	SECTION	COUNTY	SHEET NO.	SHEET NO.
F.A.U. 9079	65BR	MADISON	44	23
FED. ROAD DIST. NO. 7	ILLINOIS	FED. AID PROJECT		

Contract 76136



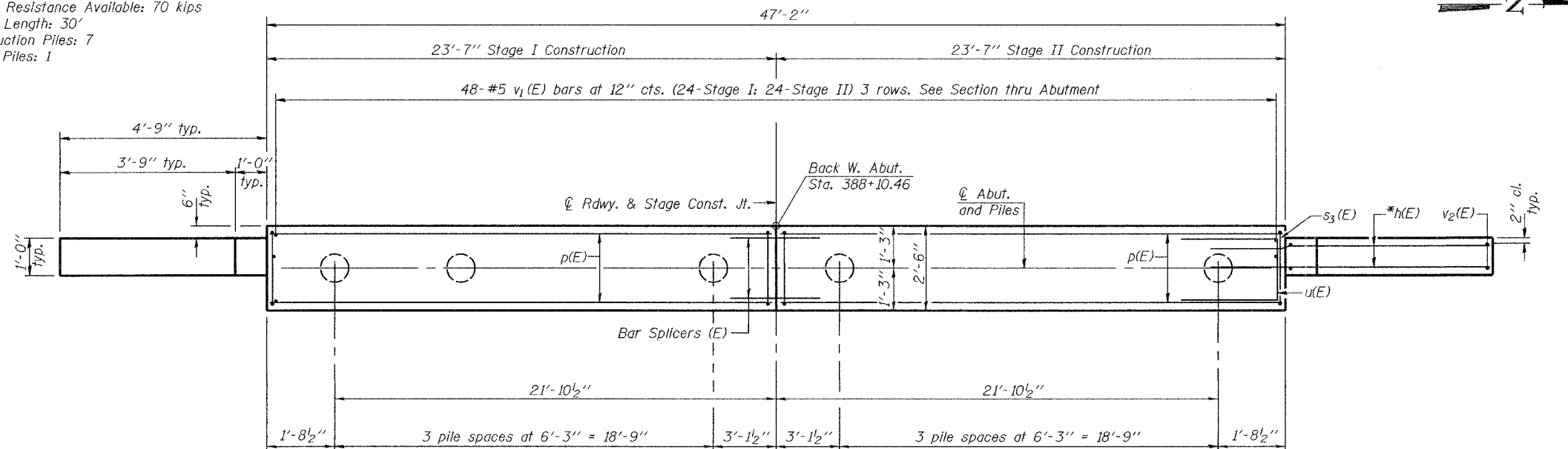
ELEVATION
(Looking West)



SEC. THRU ABUT.

PILE DATA

Pile Type and Size: Metal Shell - 12" dia. x 0.179" walls
Nominal Required Bearing: 210 kips
Allowable Resistance Available: 70 kips
Est. Pile Length: 30'
No. Production Piles: 7
No. Test Piles: 1



PLAN

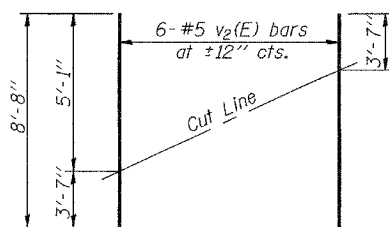
*If h(E) bars interfere with metal shells, cut h(E) bars in field to fit.

BILL OF MATERIAL

Bar	No.	Size	Length	Shape
h(E)	28	#5	7'-3"	—
p(E)	18	#7	23'-4"	—
s3(E)	48	#4	11'-5"	□
u(E)	8	#6	8'-1"	□
v1(E)	144	#5	3'-6"	—
v2(E)	12	#5	8'-8"	—
Concrete Structures			Cu. Yd.	17.0
Reinforcement Bars, Epoxy Coated			Pound	2170
Structure Excavation			Cu. Yd.	80
Furnishing Metal Pile Shells 12" φ			Foot	210
Driving Piles			Foot	210
Test Piles Metal Shells			Each	1

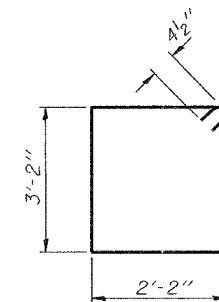
DESIGNED	R.L.T.
CHECKED	J.P.A. & T.R.B.
DRAWN	BECKY M. LEACH
CHECKED	R.L.T. & G.R.A.

November 22, 2006
EXAMINED *Thomas J. Damagala*
ENGINEER OF BRIDGE DESIGN
PASSED *Ralph E. Anderson*
ENGINEER OF BRIDGES AND STRUCTURES

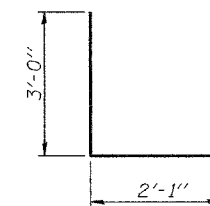


FIELD CUTTING DIAGRAM

Order v2(E) full length. Cut as shown and use remainder of bars in opposite face.



BAR s2(E)



BAR u(E)

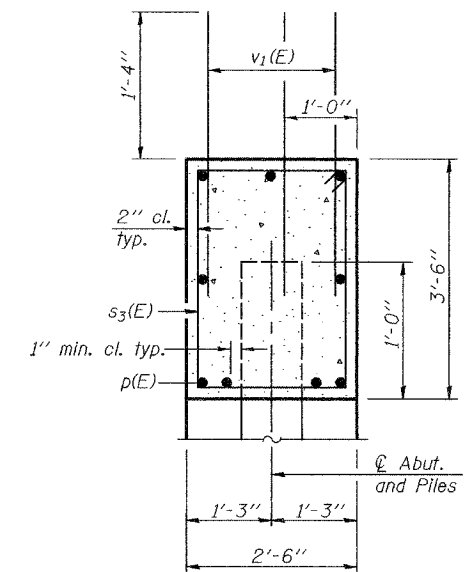
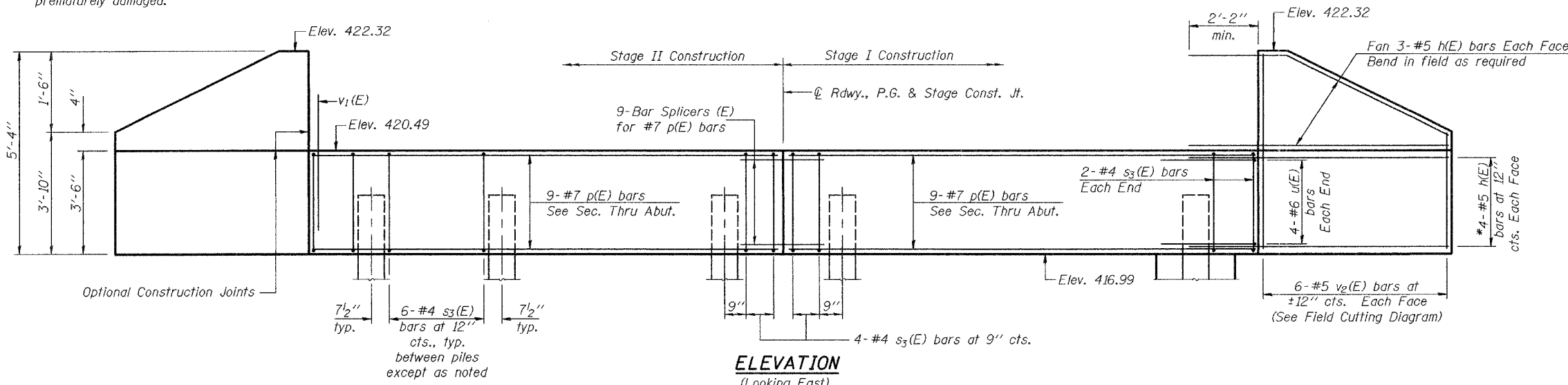
WEST ABUTMENT
F.A.U. ROUTE 9079 - SECTION 65BR
MADISON COUNTY
STATION 388+43.96
STRUCTURE NO. 060-0236

STATE OF ILLINOIS
DEPARTMENT OF TRANSPORTATION

ROUTE NO.	SECTION	COUNTY	SHEET	SHEET NO.
F.A.U. 9079	65BR	MADISON	46 24	11 SHEETS
FED. ROAD DIST. NO. 7	ILLINOIS	FED. AID PROJECT		

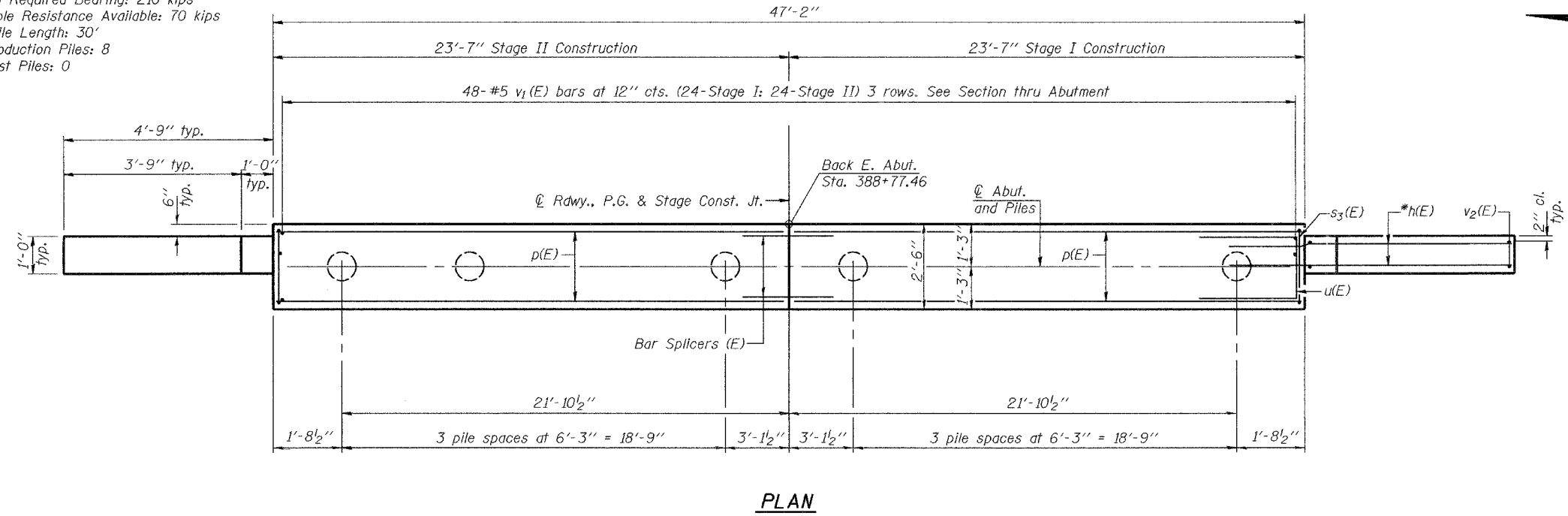
Contract 76136

Notes: For bar splicer details see sheet 10 of 11.
Excavation behind existing abutment walls shall be performed to balance front and back soil pressure before removing the existing superstructure. The Contractor shall sawcut the upper portion of the existing abutment at the stage removal line before Stage I removal to ensure the remaining portion will not be prematurely damaged.



PILE DATA

Pile Type and Size: Metal Shell - 12" dia. x 0.179" walls
Nominal Required Bearing: 210 kips
Allowable Resistance Available: 70 kips
Est. Pile Length: 30'
No. Production Piles: 8
No. Test Piles: 0



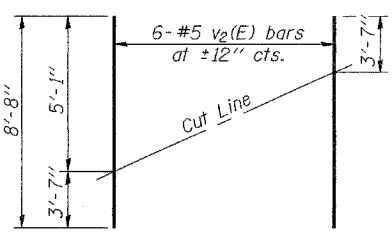
*If h(E) bars interfere with metal shells, cut h(E) bars in field to fit.

BILL OF MATERIAL

Bar	No.	Size	Length	Shape
h(E)	28	#5	7'-3"	—
p(E)	18	#7	23'-4"	—
s3(E)	48	#4	11'-5"	□
u(E)	8	#6	8'-1"	□
v1(E)	144	#5	3'-6"	—
v2(E)	12	#5	8'-8"	—
Concrete Structures			Cu. Yd.	17.0
Reinforcement Bars, Epoxy Coated			Pound	2170
Structure Excavation			Cu. Yd.	80
Furnishing Metal Pile Shells 12" φ			Foot	240
Driving Piles			Foot	240

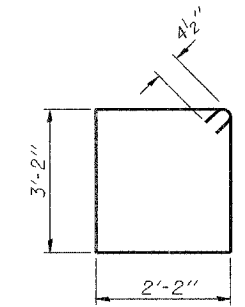
DESIGNED	R.L.T.
CHECKED	J.P.A. & T.R.B.
DRAWN	BECKY M. LEACH
CHECKED	R.L.T. & G.R.A.

November 22, 2006
EXAMINED *Thomas Damagala*
PASSED *Ralph E. Anderson*
ENGINEER OF BRIDGES AND STRUCTURES

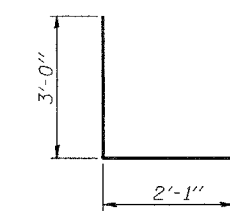


FIELD CUTTING DIAGRAM

Order v2(E) full length. Cut as shown and use remainder of bars in opposite face.



BAR s2(E)



BAR u(E)

EAST ABUTMENT
F.A.U. ROUTE 9079 - SECTION 65BR
MADISON COUNTY
STATION 388+43.96
STRUCTURE NO. 060-0236

STATE OF ILLINOIS
DEPARTMENT OF TRANSPORTATION

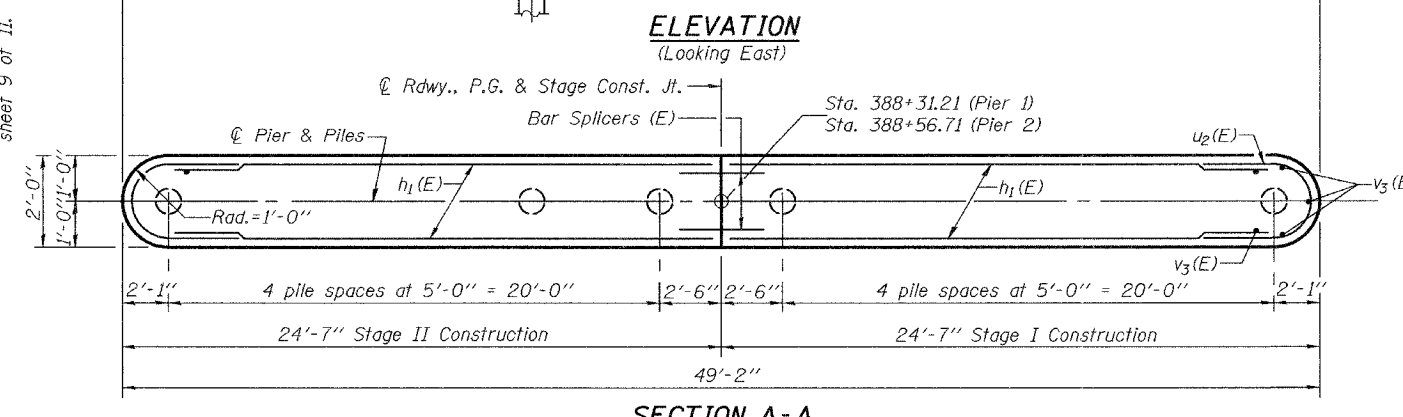
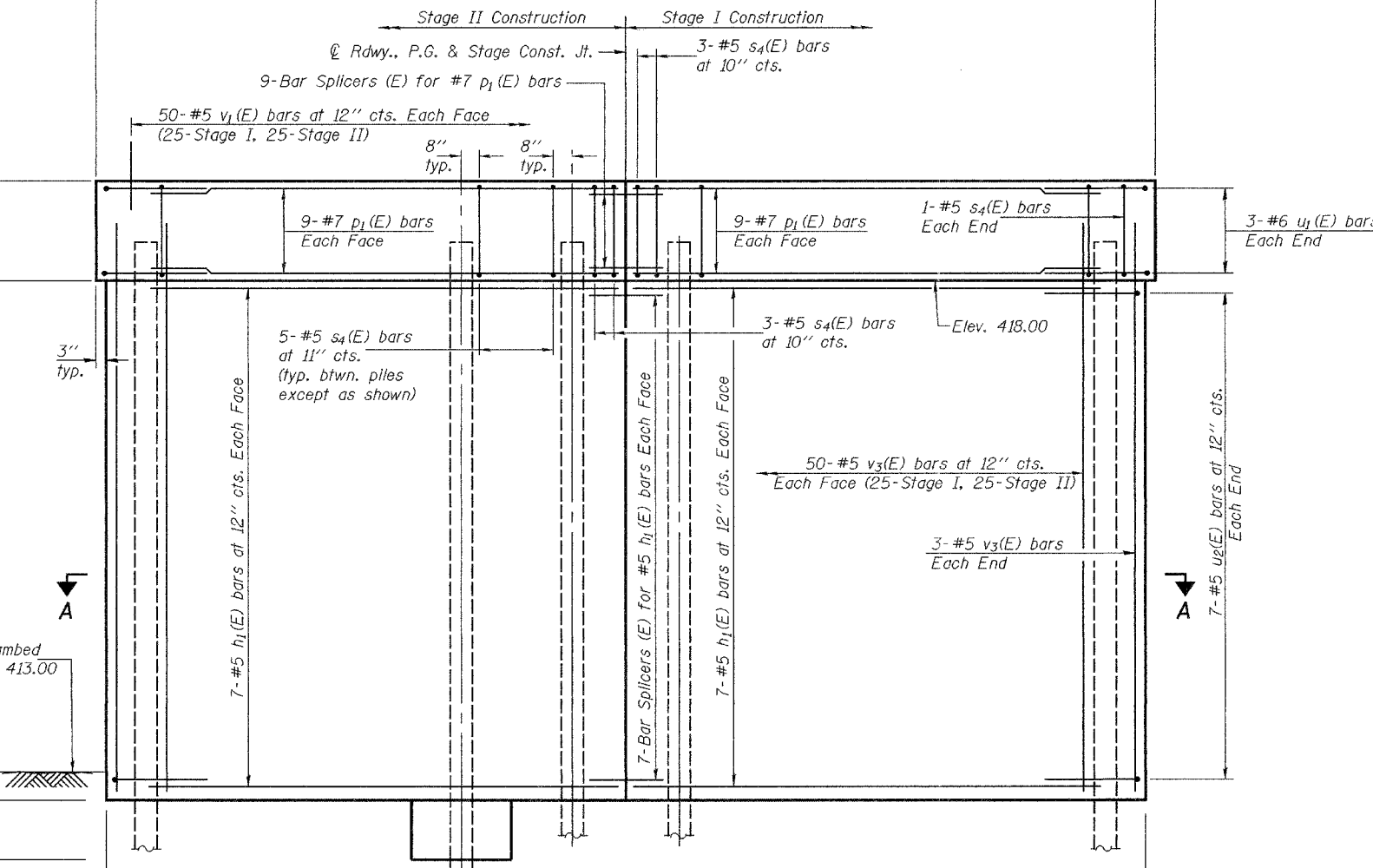
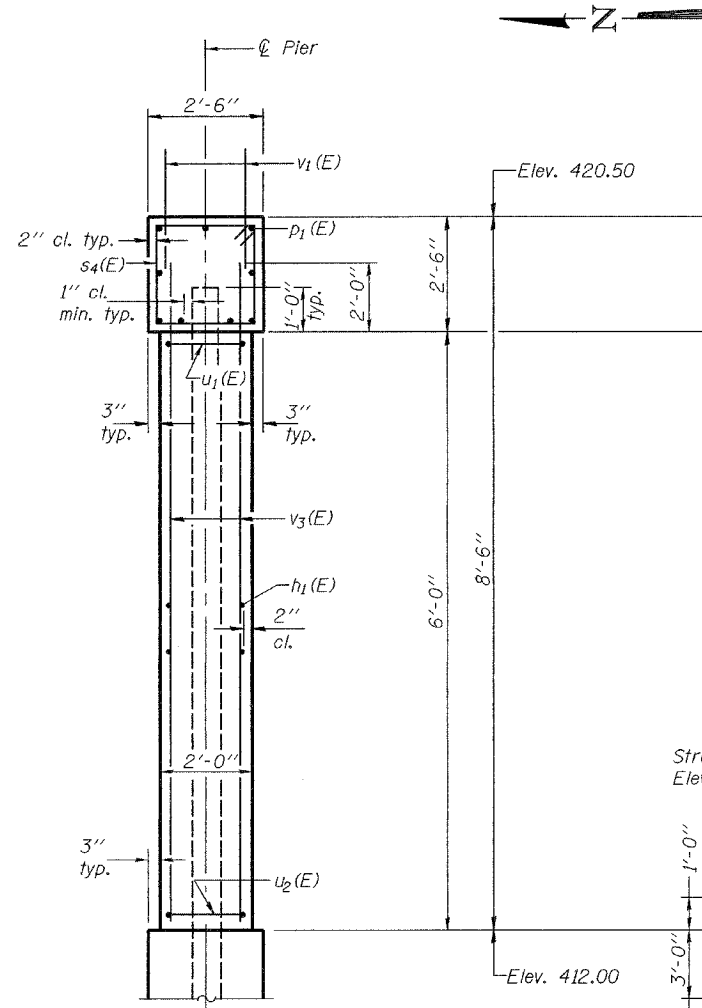
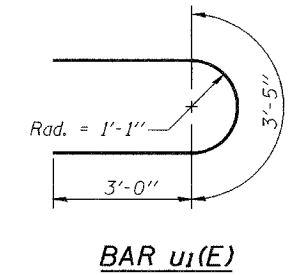
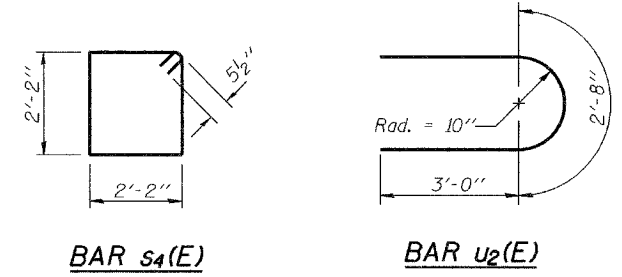
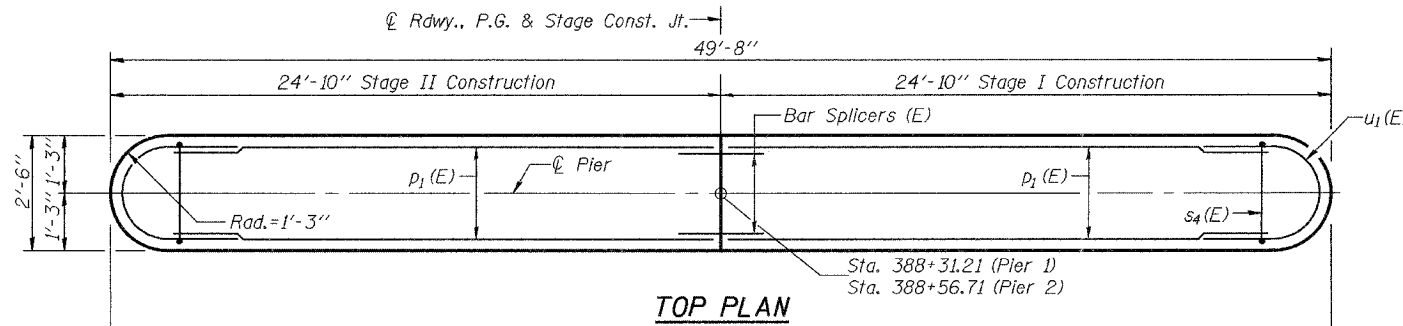
ROUTE NO.	SECTION	COUNTY	TOTAL SHEETS	SHEET NO.	SHEET NO. 8
F.A.U. 9079	65BR	MADISON	46	25	11 SHEETS
FED. ROAD DIST. NO. 7	ILLINOIS	FED. AID PROJECT-			

Contract 76136

Note: For bar splicer details, see sheet 10 of 11.

PILE DATA

Pile Type and Size: Metal Shell - 12" dia. x 0.179" walls
Nominal Required Bearing: 240 kips
Allowable Resistance Available: 80 kips
Est. Pile Length: 36'
No. Production Piles: 10 (Pier 1), 9 (Pier 2)
No. Test Piles: 0 (Pier 1), 1 (Pier 2)



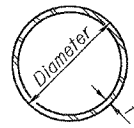
BILL OF MATERIAL - TWO PIERS

Bar	No.	Size	Length	Shape
h1(E)	56	#5	23'-5"	—
p1(E)	36	#7	23'-5"	—
s4(E)	96	#5	9'-7"	□
u1(E)	12	#6	9'-5"	U
u2(E)	28	#5	8'-8"	U
v1(E)	200	#5	3'-6"	—
v3(E)	212	#5	7'-10"	—
Concrete Structures			Cu. Yd.	66.0
Reinforcement Bars, Epoxy Coated			Pound	6940
Structure Excavation			Cu. Yd.	24
Furnishing Metal Pile Shells 12" φ			Foot	684
Driving Piles			Foot	684
Underwater Structure Excavation Protection, Location 1			Each	1
Underwater Structure Excavation Protection, Location 2			Each	1
Test Pile Metal Shells			Each	1

DESIGNED	R.L.T.
CHECKED	J.P.A. & T.R.B.
DRAWN	BECKY M. LEACH
CHECKED	R.L.T. & G.R.A.

November 22, 2006
Thomas J. Damagala
 ENGINEER OF BRIDGE DESIGN
Ralph E. Anderson
 ENGINEER OF BRIDGES AND STRUCTURES

PIERS
F.A.U. ROUTE 9079 - SECTION 65BR
MADISON COUNTY
STATION 388+43.96
STRUCTURE NO. 060-0236



STATE OF ILLINOIS
DEPARTMENT OF TRANSPORTATION

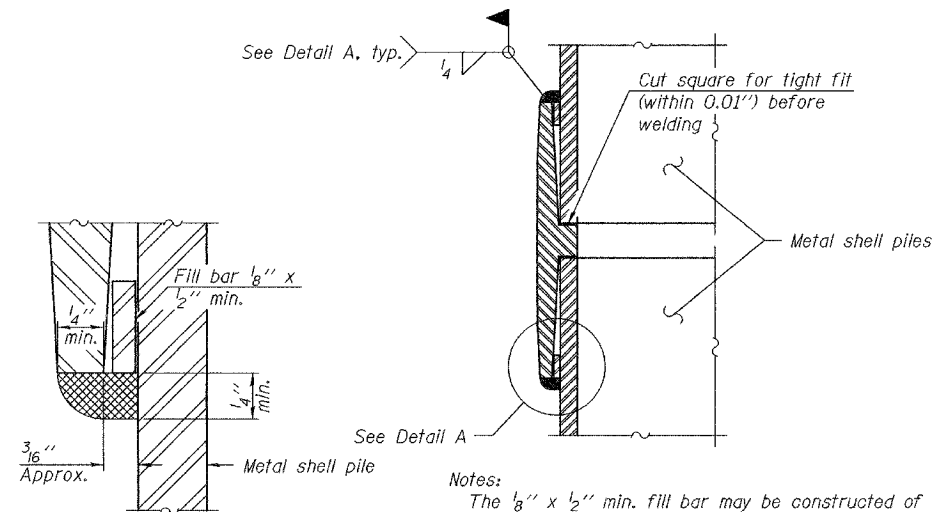
ROUTE NO.	SECTION	COUNTY	SHEETS	SHEET NO.
F.A.U. 9079	65BR	MADISON	46	26
FED. ROAD DIST. NO. 7		ILLINOIS	FED. AID PROJECT-	

Contract 76136

SHEET NO. 9
11 SHEETS

METAL SHELL PILE TABLE

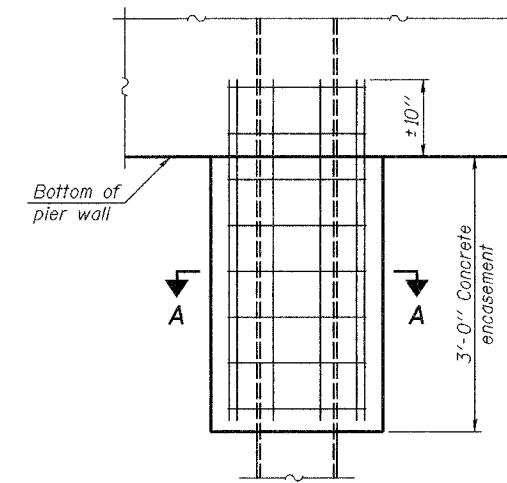
Designation	Wall thickness t	Weight per foot (Lbs./ft.)	Inside volume (yd. ³ /ft.)	Encasement diameter A
PP12	0.179"	22.60	0.0274	30"
PP12	0.250"	31.37	0.0267	30"
PP14	0.250"	36.71	0.0368	30"
PP14	0.312"	45.61	0.0361	30"



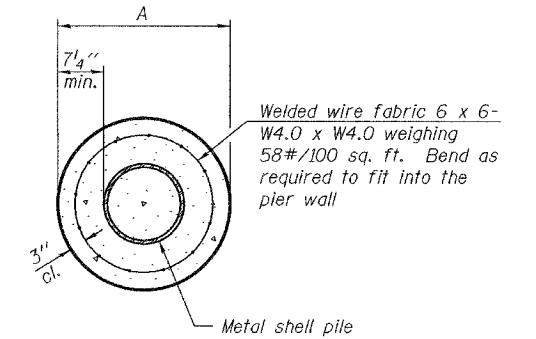
DETAIL A

Notes:
The $\frac{1}{8}$ " x $\frac{1}{2}$ " min. fill bar may be constructed of 2 bars with a $\frac{1}{8}$ " max. gap between them.
Pile segments shall be driven to solid contact with splicer before welding.

WELDED COMMERCIAL SPLICE



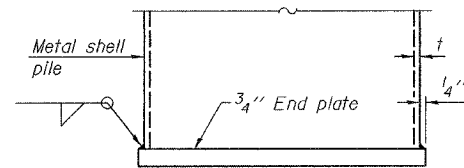
ELEVATION



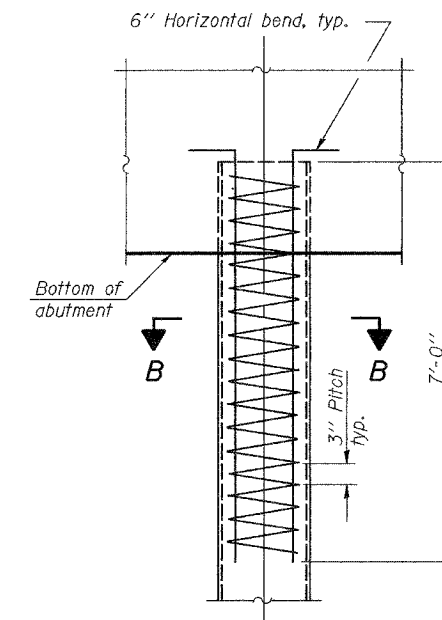
SECTION A-A

Notes:
See Metal Shell Pile Table for dimension "A".
Forms for encasement may be omitted when soil conditions permit.

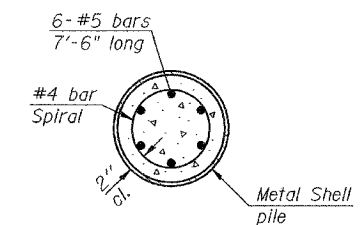
CONCRETE ENCASMENT AT PIERS



END PLATE ATTACHMENT

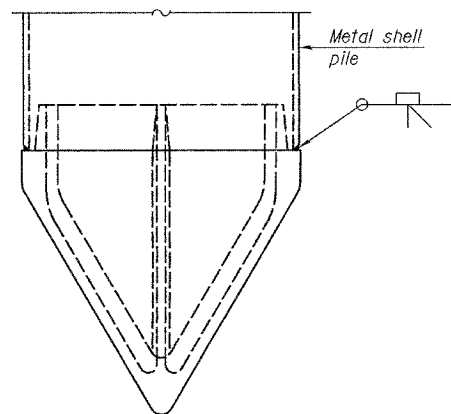


ELEVATION

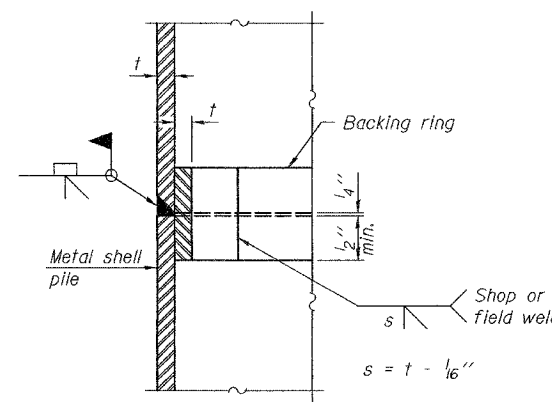


SECTION B-B

METAL SHELL REINFORCEMENT AT ABUTMENTS



METAL SHELL PILE SHOE ATTACHMENT



COMPLETE PENETRATION WELD SPLICE

Backing ring made from pile shell. Remove segment to allow reducing circumference and vertically rejoin with partial joint penetration weld.

Note:
The metal shell piles shall be according to ASTM A 252 Grade 3.

PILE DETAILS
F.A.U. ROUTE 9079 - SECTION 65BR
MADISON COUNTY
STATION 388+43.96
STRUCTURE NO. 060-0236

DESIGNED	R.L.T.
CHECKED	J.P.A. & T.R.B.
DRAWN	BECKY M. LEACH
CHECKED	R.L.T. & G.R.A.

EXAMINED	November 22, 2006
PASSED	Thomas J. Domagala ENGINEER OF BRIDGE DESIGN
	Ralph E. Anderson ENGINEER OF BRIDGES AND STRUCTURES

F-MS

11-1-06

STATE OF ILLINOIS
DEPARTMENT OF TRANSPORTATION

ROUTE NO.	SECTION	COUNTY	DATE	SHEET NO.	SHEET NO. 10 11 SHEETS
F.A.U. 9079	65BR	MADISON	4/0	27	
FED. ROAD DIST. NO. 7	ILLINOIS	FED. AID PROJECT			

Contract 76136

NOTES

Bar splicer assemblies shall be of an approved type and shall develop in tension at least 125 percent of the yield strength of the lapped reinforcement bars.
Splicer rods shall be of minimum 60 ksi yield strength, threaded or coiled full length.
All reinforcement bars shall be lapped and tied to the splicer rods or dowel bars.
Bar splicer assemblies shall be epoxy coated according to the requirements for reinforcement bars.
Other systems of similar design may be submitted to the Engineer for approval. Approval shall be based on certified test results from an approved testing laboratory that the proposed bar splicer assembly satisfies the following requirements:

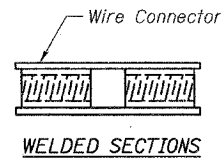
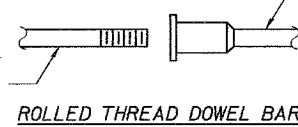
- Minimum Capacity = $1.25 \times f_y \times A_t$
(Tension in kips)
 - Minimum *Pull-out Strength = $1.25 \times f_{s,allow} \times A_t$
(Tension in kips)
- Where f_y = Yield strength of lapped reinforcement bars in ksi.
 $f_{s,allow}$ = Allowable tensile stress in lapped reinforcement bars in ksi (Service Load)
 A_t = Tensile stress area of lapped reinforcement bars.
* = 28 day concrete

BAR SPLICER ASSEMBLIES

Bar Size to be Spliced	Splicer Rod or Dowel Bar Length	Strength Requirements	
		Min. Capacity kips - tension	Min. Pull-Out Strength kips - tension
#4	1'-8"	14.7	5.9
#5	2'-0"	23.0	9.2
#6	2'-7"	33.1	13.3
#7	3'-5"	45.1	18.0
#8	4'-6"	58.9	23.6
#9	5'-9"	75.0	30.0
#10	7'-3"	95.0	38.0
#11	9'-0"	117.4	46.8

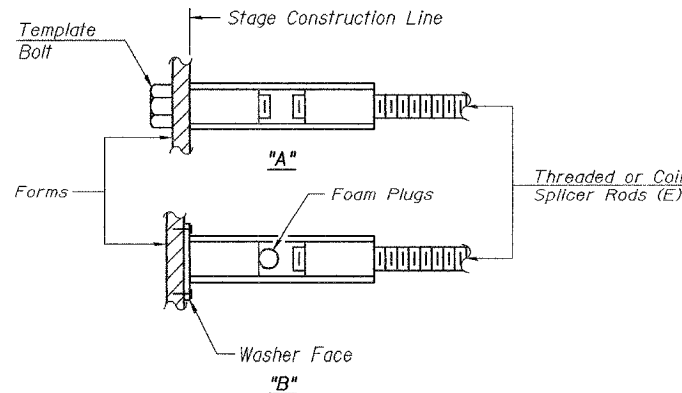
Bar splicer assemblies shall be according to Section 508 of the Standard Specifications, except as noted. The furnishing and installation of bar splicer assemblies will be measured and paid for at the contract unit price each for "BAR SPLICERS."

The diameter of this part is equal or larger than the diameter of bar spliced.



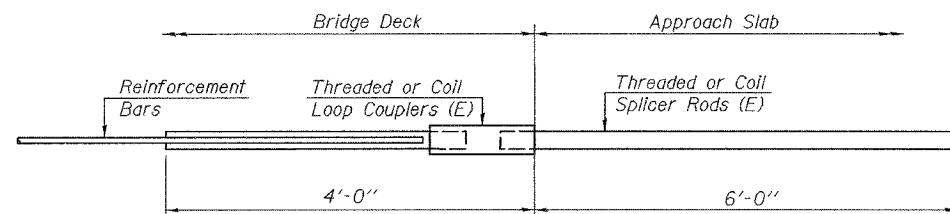
BAR SPLICER ASSEMBLY ALTERNATIVES

** Heavy Hex Nuts conforming to ASTM A 563, Grade C, D or DH may be used.



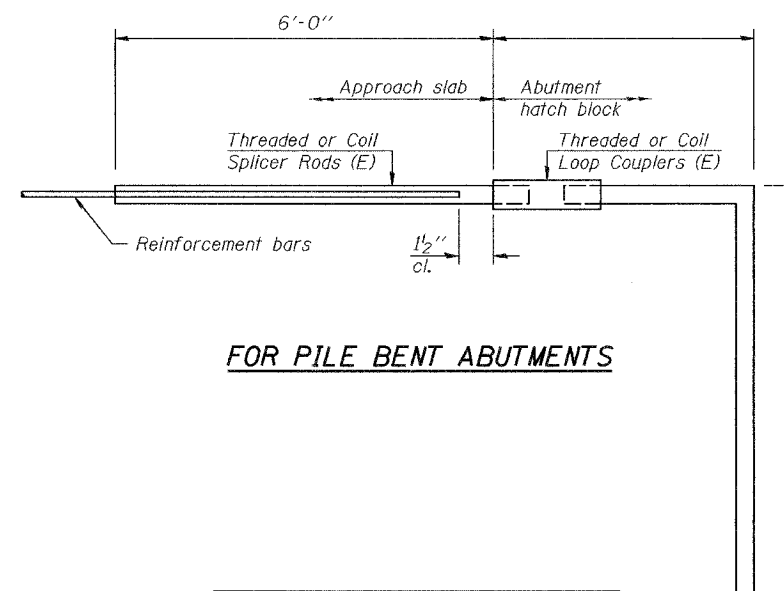
INSTALLATION AND SETTING METHODS

"A" : Set bar splicer assembly by means of a template bolt.
"B" : Set bar splicer assembly by nailing to wood forms or cementing to steel forms.
(E) : Indicates epoxy coating.



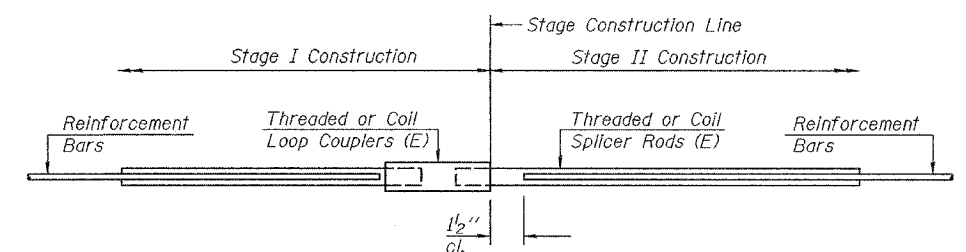
FOR INTEGRAL OR SEMI-INTEGRAL ABUTMENTS

Bar Splicer for #5 bar
Min. Capacity = 23.0 kips - tension
Min. Pull-out Strength = 9.2 kips - tension
No. Required =



FOR PILE BENT ABUTMENTS

Bar Splicer for #5 bar
Min. Capacity = 23.0 kips - tension
Min. Pull-out Strength = 9.2 kips - tension
No. Required =



STANDARD

Bar Size	No. Assemblies Required	Location
#5	122	Deck
#7	9	W. Abut.
#7	9	E. Abut.
#7	18	Pier Caps
#5	28	Pier Walls

BAR SPLICER ASSEMBLY DETAILS
F.A.U. ROUTE 9079 - SEC. 65BR
MADISON COUNTY
STATION 388+43.96
STRUCTURE NO. 060-0236

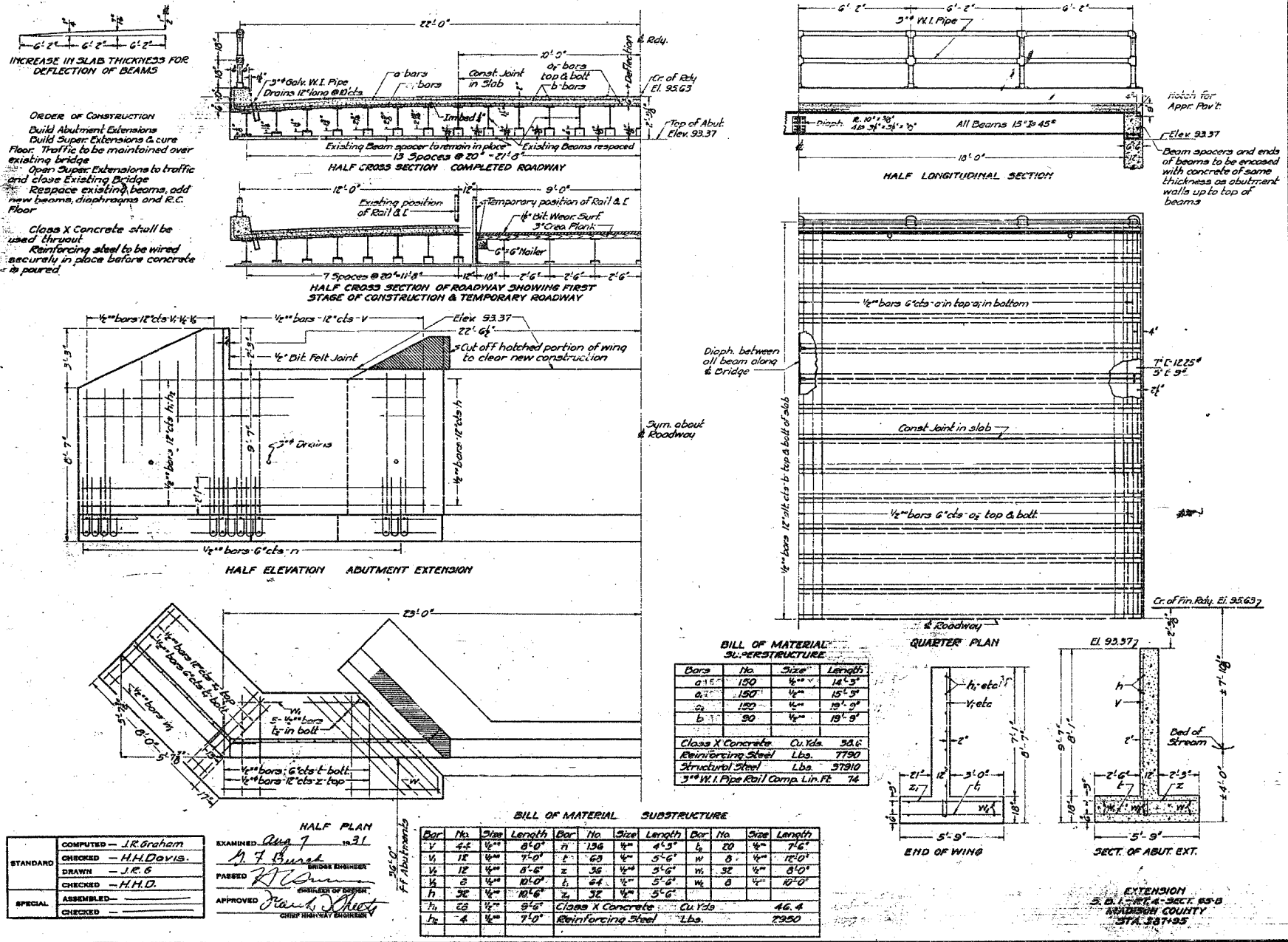
DESIGNED	R.L.T.
CHECKED	J.P.A. & T.R.B.
DRAWN	BECKY M. LEACH
CHECKED	R.L.T. & G.R.A.

EXAMINED	November 22, 2006	Thomas J. Demagala
PASSED		Ralph E. Anderson

F.A.U. RTE.	SECTION	COUNTY	TOTAL SHEETS	SHEET NO.
9079	65BR	MADISON	46	29
STA.		TO STA.		
FED. ROAD DIST. NO.	ILLINOIS	FED. AID PROJECT		

STATE OF ILLINOIS
DEPARTMENT OF PUBLIC WORKS & BUILDINGS
DIVISION OF HIGHWAYS

SHEET NO. 1	
/ SHEETS	



BILL OF MATERIAL SUPERSTRUCTURE

Bars	No.	Size	Length
a ¹	150	1/2"	14'-5"
a ²	150	1/2"	15'-5"
c ₁	180	1/2"	18'-9"
b	90	1/2"	18'-9"

Class X Concrete Cu. Yds. 98.6
Reinforcing Steel Lbs. 7790
Structural Steel Lbs. 37910
3" W.I. Pipe Rail Comp. Lin. Ft. 14

BILL OF MATERIAL SUBSTRUCTURE

Bar	No.	Size	Length	Bar	No.	Size	Length	Bar	No.	Size	Length
V	45	1/2"	8'-0"	n	156	1/2"	4'-5"	o	20	1/2"	7'-6"
W	12	1/2"	7'-0"	r	63	1/2"	5'-6"	w	8	1/2"	11'-0"
X	12	1/2"	8'-0"	s	36	1/2"	5'-6"	x	32	1/2"	8'-0"
Y	3	1/2"	10'-0"	t	24	1/2"	5'-6"	y	8	1/2"	10'-0"
Z	32	1/2"	10'-6"	z	32	1/2"	5'-6"				
Class X Concrete Cu. Yds.				46.4							
Reinforcing Steel Lbs.				7350							

COMPUTED - J.R. Graham
CHECKED - H.H. Davis
DRAWN - J.R.G.
CHECKED - H.H.D.
ASSEMBLED -
CHECKED -

EXAMINED Aug 7 1931
M.F. Burch
PASSED
APPROVED
CHIEF HIGHWAY ENGINEER

FOR INFORMATION ONLY

REVISIONS	
NAME	DATE

ILLINOIS DEPARTMENT OF TRANSPORTATION
EXISTING STRUCTURE PLAN
FAP ROUTE 9079
SECTION 65BR
MADISON COUNTY
SN 060-0069 (E) 0236 (P)

PLOT DATE = 10/15/2006
PLOT SCALE = 5/8" = 1'-0"
REFERENCE = #REF*

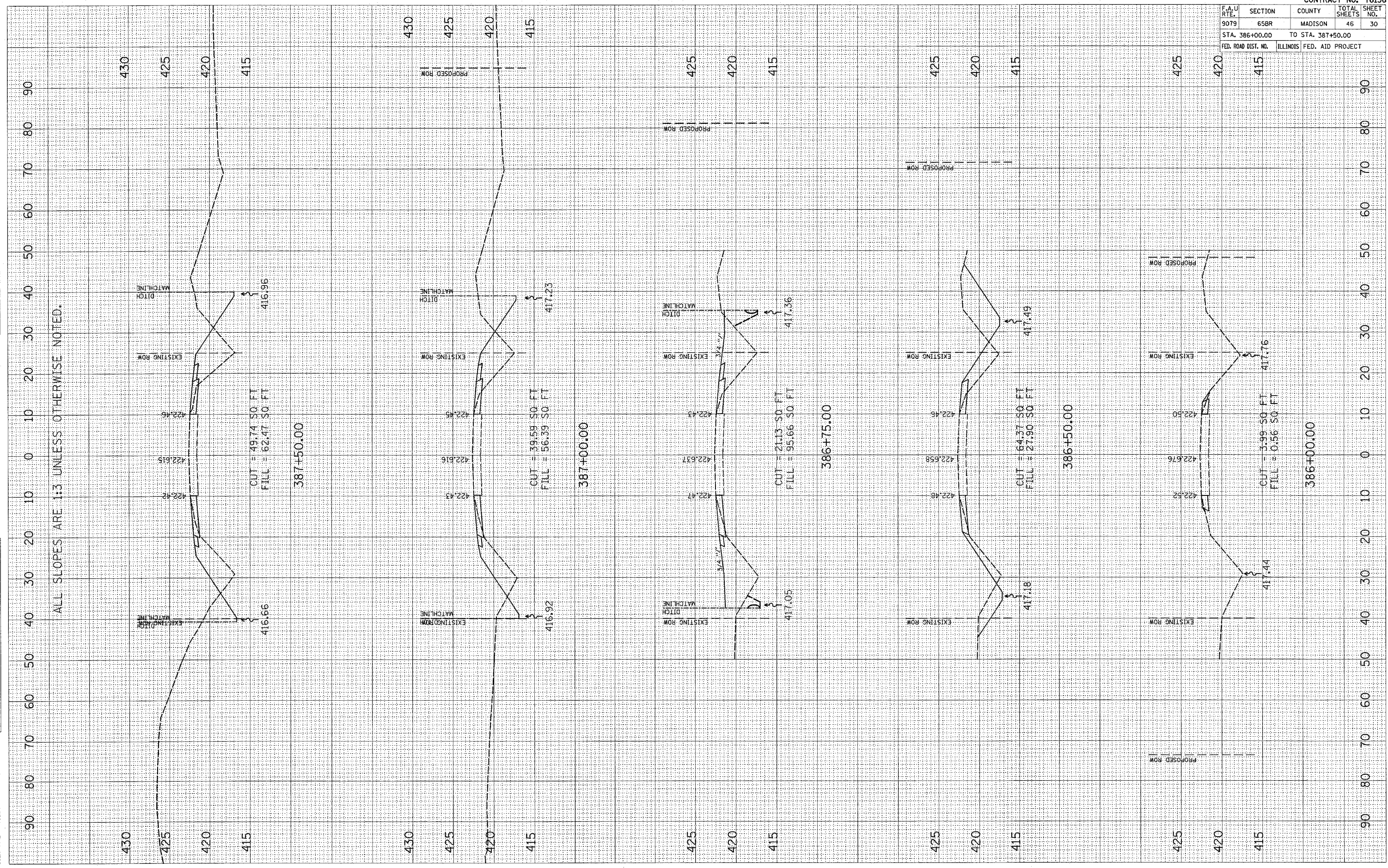
PLOT DATE = 00/00/00
 FILE NAME = #FILE#
 PLOT SCALE = #SCALE#
 USER NAME = #USER#

ORIGINAL SURVEY
 SURVEYED BY
 NOTE BOOK NO.
 AREAS CHECKED

FINAL SURVEY
 SURVEYED BY
 NOTE BOOK NO.
 AREAS CHECKED

DATE

ALL SLOPES ARE 1:3 UNLESS OTHERWISE NOTED.



CONTRACT NO. 76136				
F.A.U. RTE.	SECTION	COUNTY	TOTAL SHEETS	SHEET NO.
9079	65BR	MADISON	46	30
STA. 386+00.00		TO STA. 387+50.00		
FED. ROAD DIST. NO.		ILLINOIS FED. AID PROJECT		

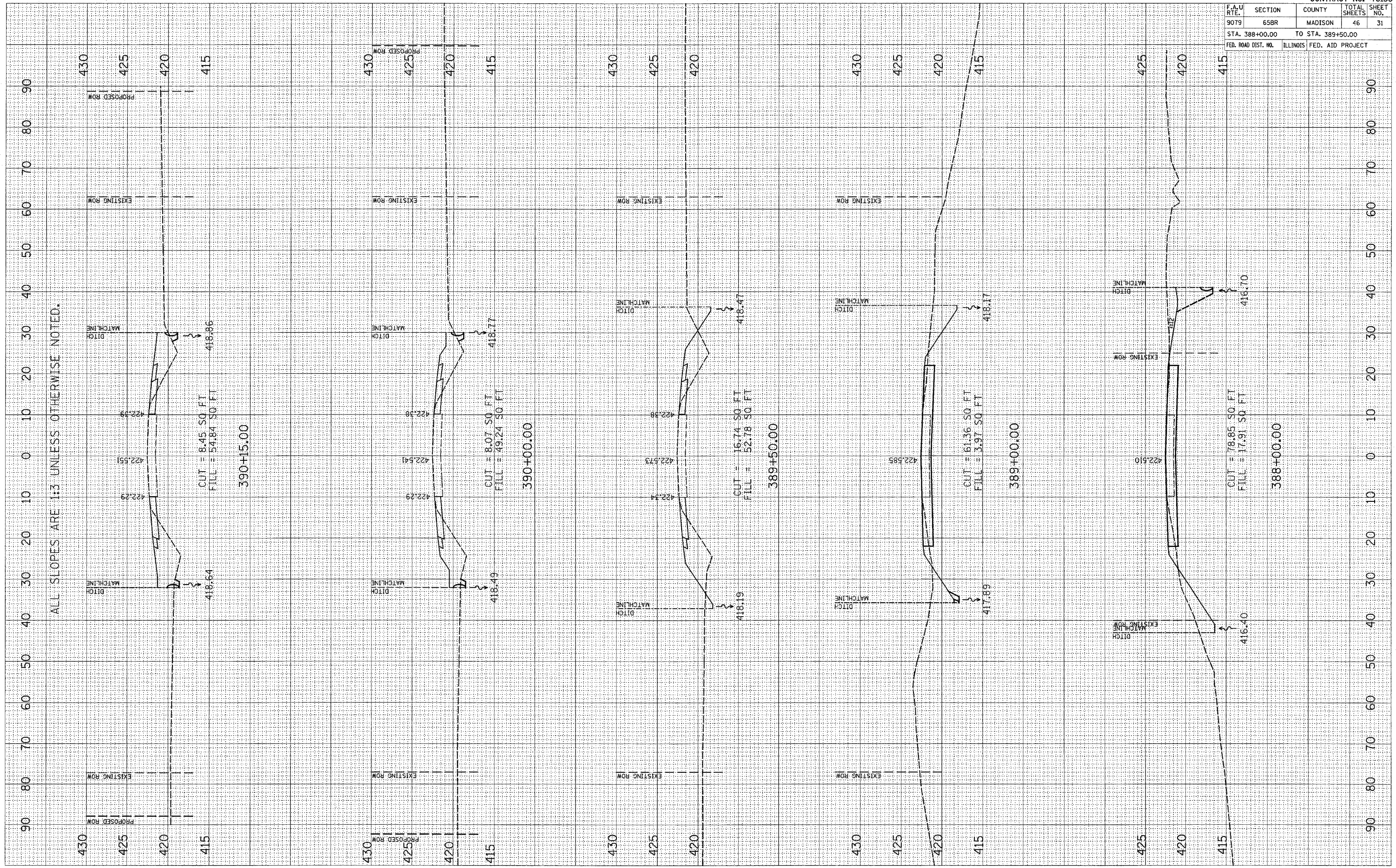
MAINLINE

F.A.U. RTE.	SECTION	COUNTY	TOTAL SHEETS	SHEET NO.
9079	65BR	MADISON	46	31
STA. 388+00.00		TO STA. 389+50.00		
FED. ROAD DIST. NO.		ILLINOIS FED. AID PROJECT		

FINAL SURVEY	SURVEYED	BY	DATE
NOTE BOOK	PLOTTED		
NO.	AREAS CHECKED		

ORIGINAL SURVEY	SURVEYED	BY	DATE
NOTE BOOK	PLOTTED		
NO.	AREAS CHECKED		

PLOT DATE = #DATE#
 FILE NAME = #FILE#
 USER NAME = #USER#

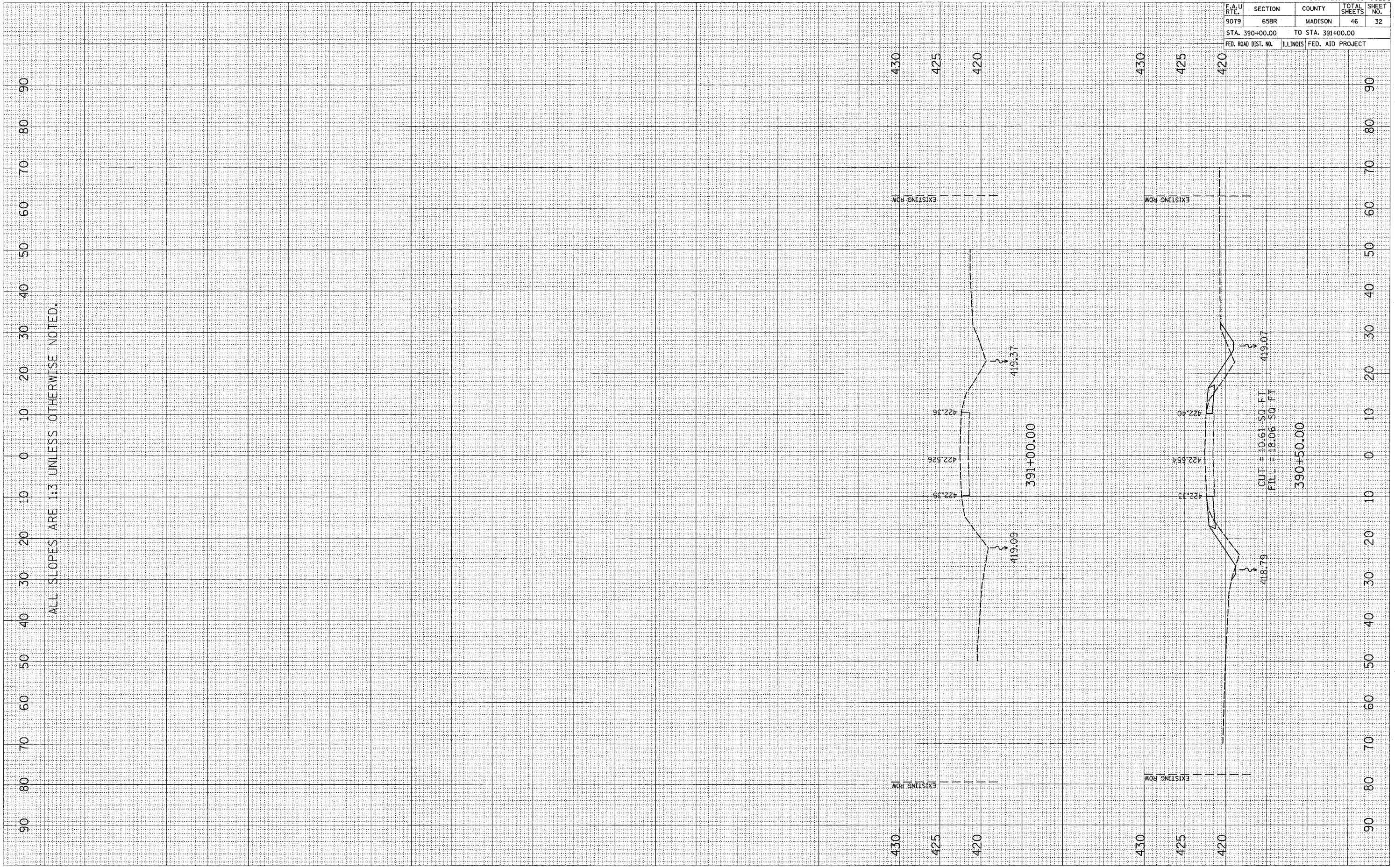


F.A.U. RTE.	SECTION	COUNTY	TOTAL SHEETS	SHEET NO.
9079	65BR	MADISON	46	32
STA. 390+00.00		TO STA. 391+00.00		
FED. ROAD DIST. NO.		ILLINOIS FED. AID PROJECT		

FINAL SURVEY	DATE
NO. _____	_____
NO. _____	_____
NO. _____	_____

ORIGINAL SURVEY	DATE
NO. _____	_____
NO. _____	_____
NO. _____	_____

PLOT DATE = #DATE#
 PLOT SCALE = #SCALE#
 USER NAME = #USER#



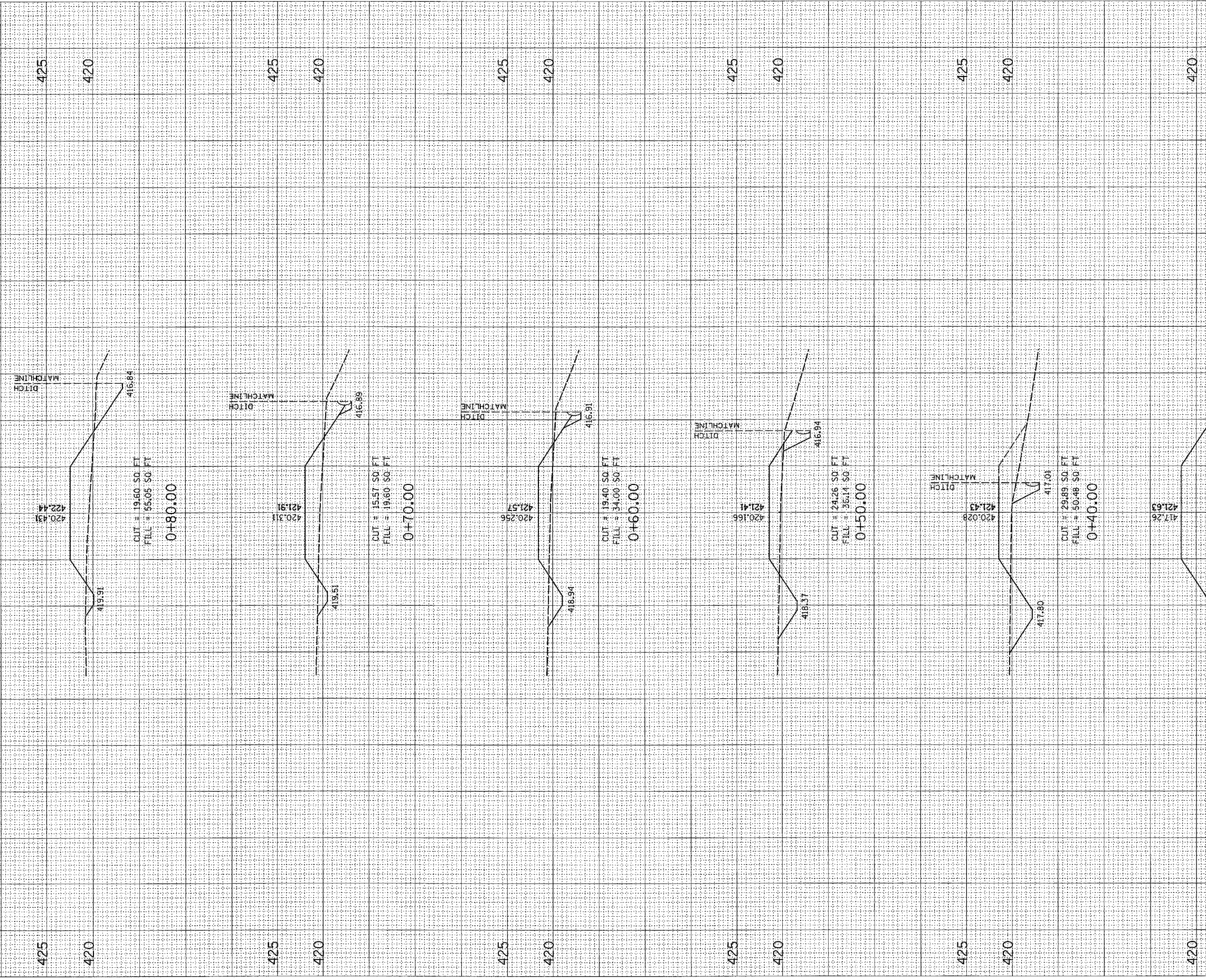
PLOT DATE = DATE
 PLOT SCALE = SCALE
 USER NAME = USER

ORIGINAL SURVEY PLOT TO
 NOTE BOOK DATE
 NO. AREAS CHECKED

FINAL SURVEY PLOT TO
 NOTE BOOK DATE
 NO. AREAS CHECKED

BY DATE

ALL SLOPES ARE 1:3 UNLESS OTHERWISE NOTED.



EARTHWORK IS CALCULATED ON THE MAINLINE.
 CROSS SECTION FOR STATION 0+20 AND 0+30.

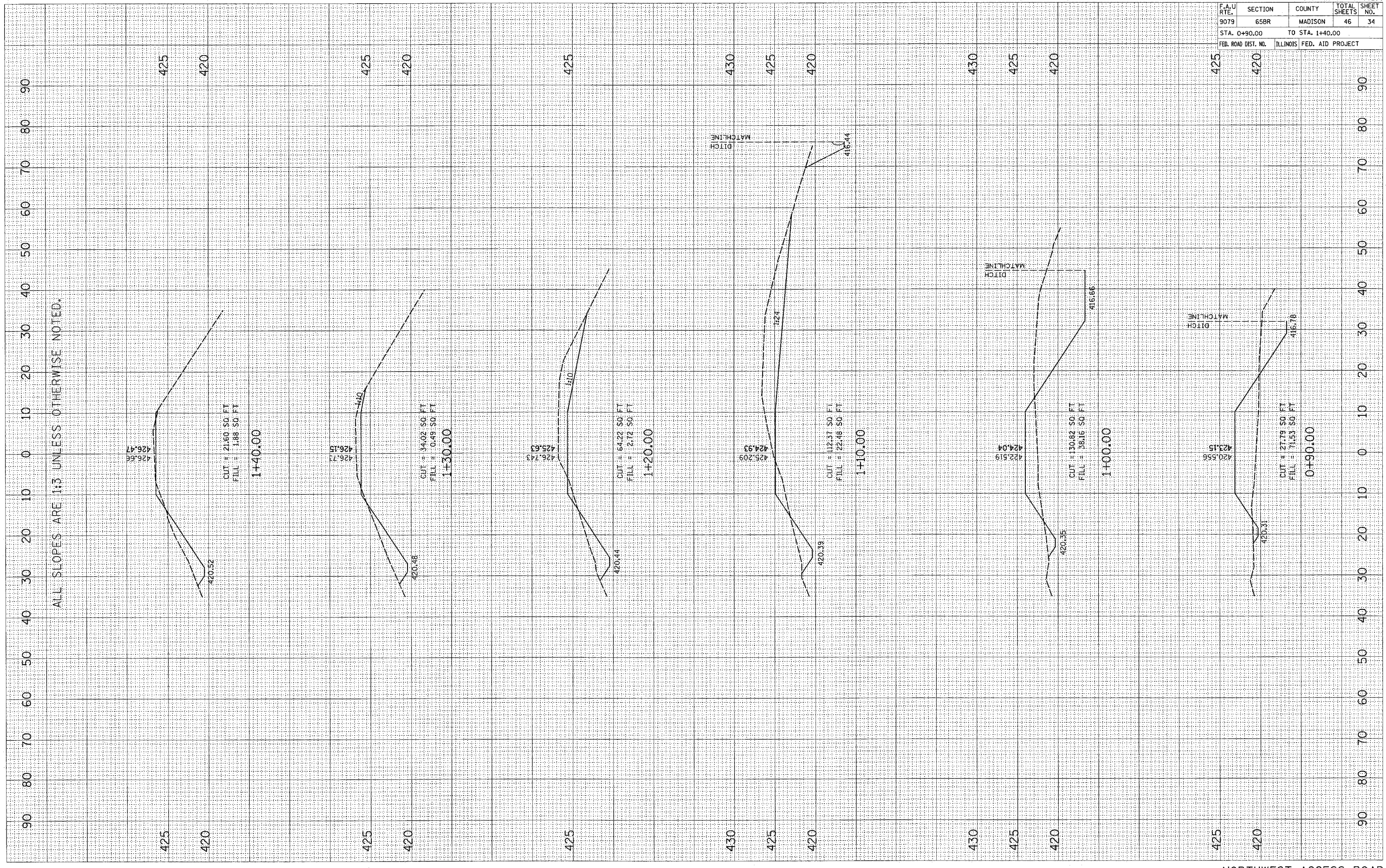
CONTRACT NO. 76136				
F.A. U. RTE.	SECTION	COUNTY	TOTAL SHEETS	SHEET NO.
9079	65BR	MADISON	46	33
STA. 0+20.00		TO STA. 0+80.00		
FED. ROAD DIST. NO.	ILLINOIS	FED. AID PROJECT		

F.A.U. RTE.	SECTION	COUNTY	TOTAL SHEETS	SHEET NO.
9079	65BR	MADISON	46	34
STA. 0+90.00		TO STA. 1+40.00		
FED. ROAD DIST. NO.		ILLINOIS FED. AID PROJECT		

FINAL SURVEY	SURVEYED	DATE
NOTE BOOK	PLotted	
NO.	TEMPLATE	
	AREAS CHECKED	

ORIGINAL SURVEY	BY	DATE
NOTE BOOK	PLotted	
NO.	TEMPLATE	
	AREAS CHECKED	

PLOT DATE * DATE
 FILE NAME * FILE
 PLOT SCALE * SCALE
 USER NAME * USER



F.A.U. RTE.	SECTION	COUNTY	TOTAL SHEETS	SHEET NO.
9079	65BR	MADISON	46	35
STA. 1+50.00		TO STA. 1+50.00		
FED. ROAD DIST. NO.		ILLINOIS	FED. AID PROJECT	

FINAL SURVEY

SURVEYED _____ BY _____ DATE _____

PLOTTED _____

NOTE BOOK _____

AREAS CHECKED _____

ORIGINAL SURVEY

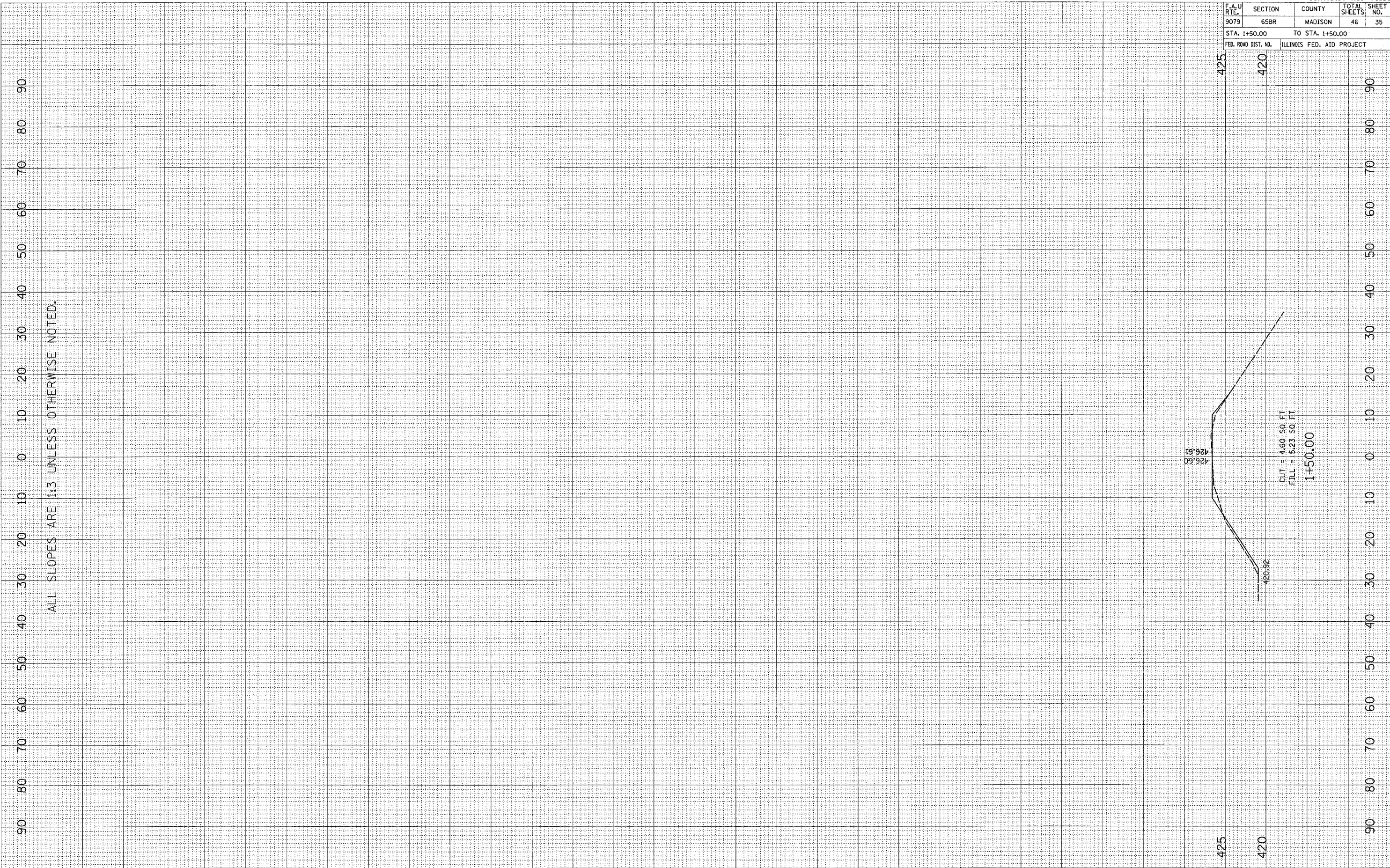
SURVEYED _____ BY _____ DATE _____

PLOTTED _____

NOTE BOOK _____

AREAS CHECKED _____

PLOT DATE = 8/1/75
 FILE NAME = #11111
 PLOT SCALE = #SCALE#
 USER NAME = #USER#



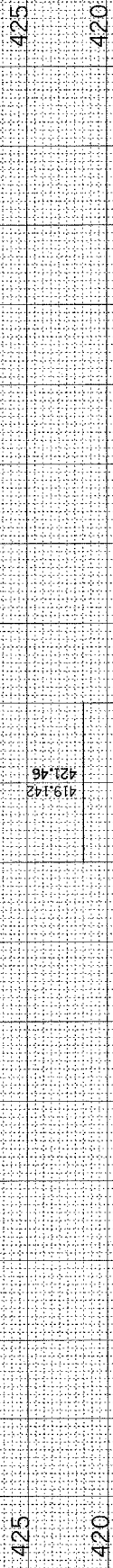
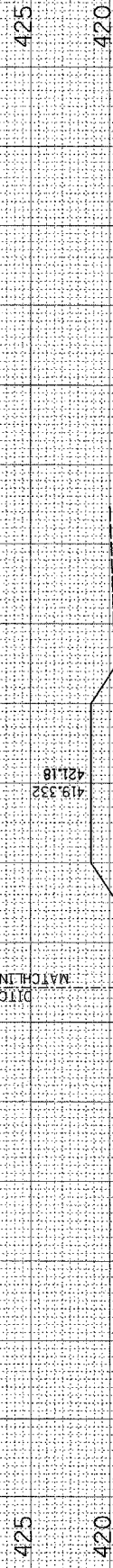
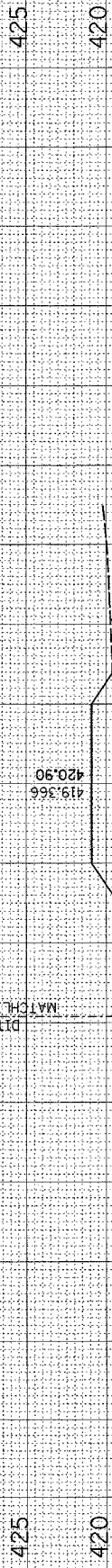
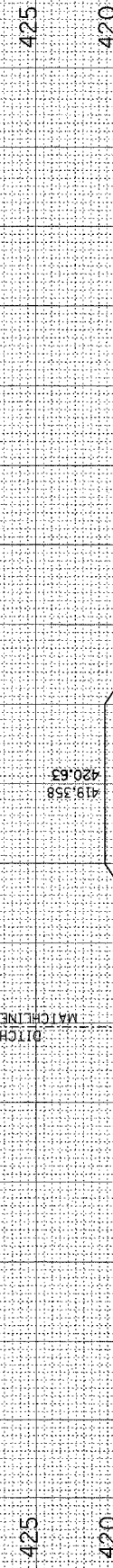
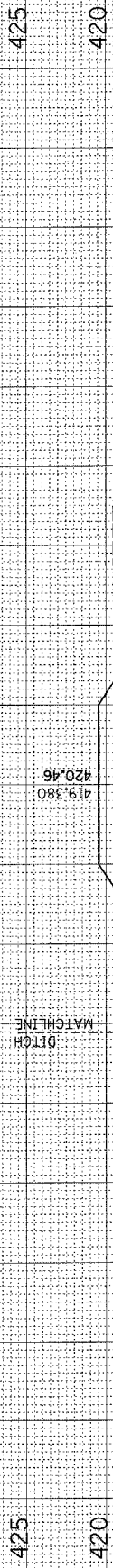
ALL SLOPES ARE 1:1 UNLESS OTHERWISE NOTED.

PLOT DATE = #DATE#
 PLOT SCALE = #SCALE#
 USER NAME = #USER#

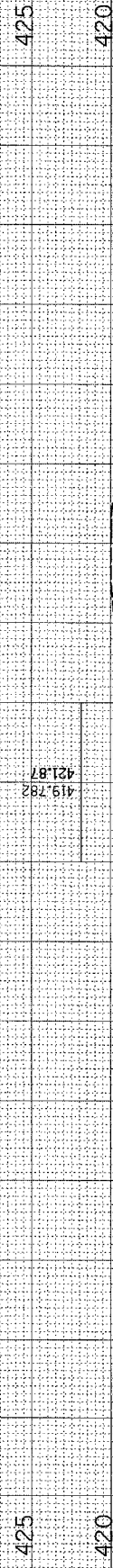
ORIGINAL SURVEY PL ID
 NOTE BOOK AREAS CHECKED
 NO. BY DATE

FINAL SURVEY PL ID
 NOTE BOOK AREAS CHECKED
 NO. BY DATE

ALL SLOPES ARE 1:3 UNLESS OTHERWISE NOTED.



EARTHWORK IS CALCULATED ON THE MAINLINE
 CROSS SECTIONS FOR STATION 0+20 AND 0+30.



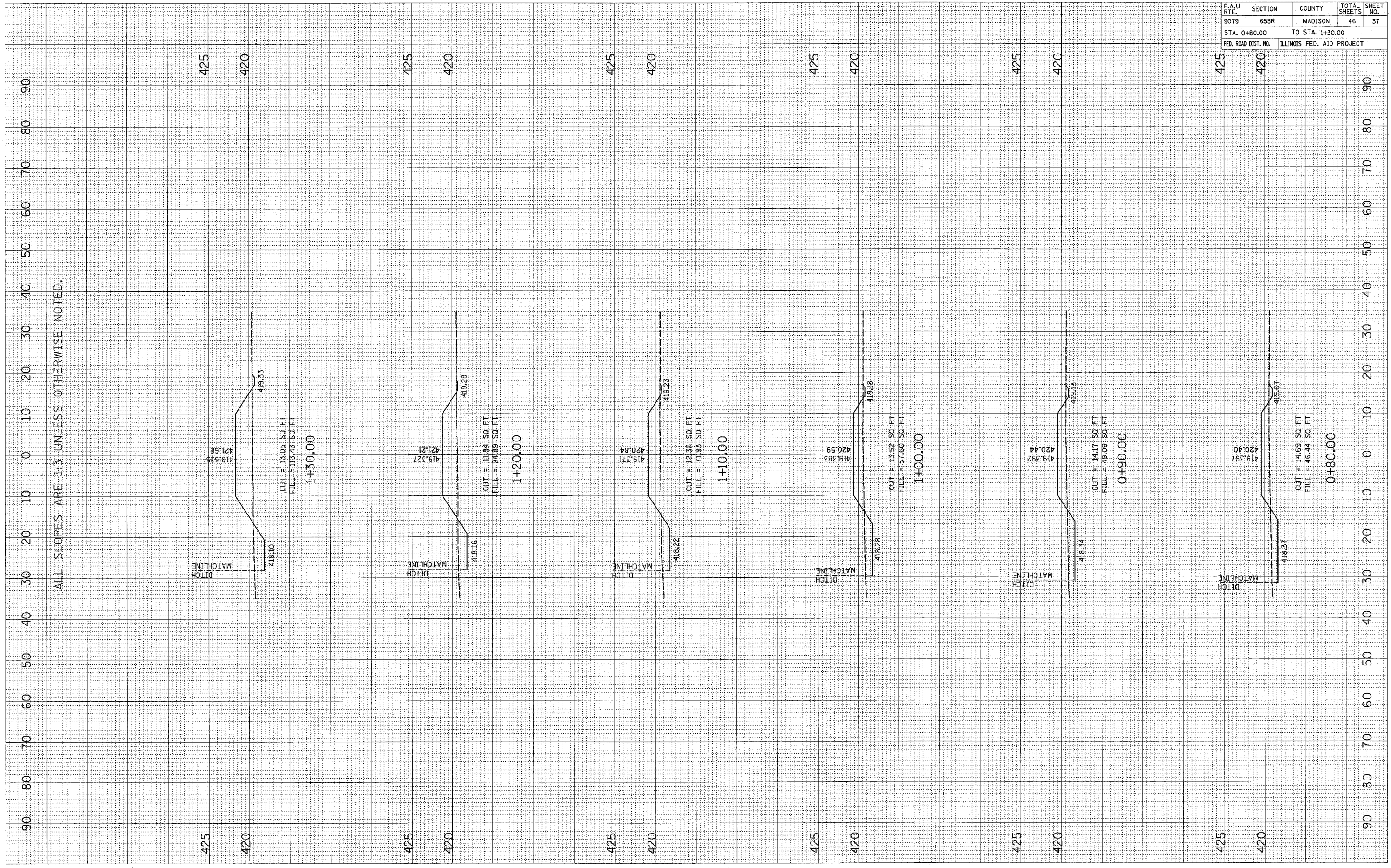
CONTRACT NO. 76136				
F.A.U. RTE.	SECTION	COUNTY	TOTAL SHEETS	SHEET NO.
9079	65BR	MADISON	46	36
STA. 0+20.00		TO STA. 0+70.00		
FED. ROAD DIST. NO.	ILLINOIS	FED. AID PROJECT		

F.A.U. RTE.	SECTION	COUNTY	TOTAL SHEETS	SHEET NO.
9079	65BR	MADISON	46	37
STA. 0+80.00		TO STA. 1+30.00		
FED. ROAD DIST. NO.		ILLINOIS FED. AID PROJECT		

FINAL SURVEY	SURVEYED	BY	DATE
NOTE BOOK	PLATED		
	TEMPLATE		
	AREAS CHECKED		

ORIGINAL SURVEY	SURVEYED	BY	DATE
NOTE BOOK	PL. DATE		
	AREAS CHECKED		
	AREAS CHECKED		

PLOT DATE = 04/21/00
 FILE NAME = 071110
 USER NAME = MURPHY



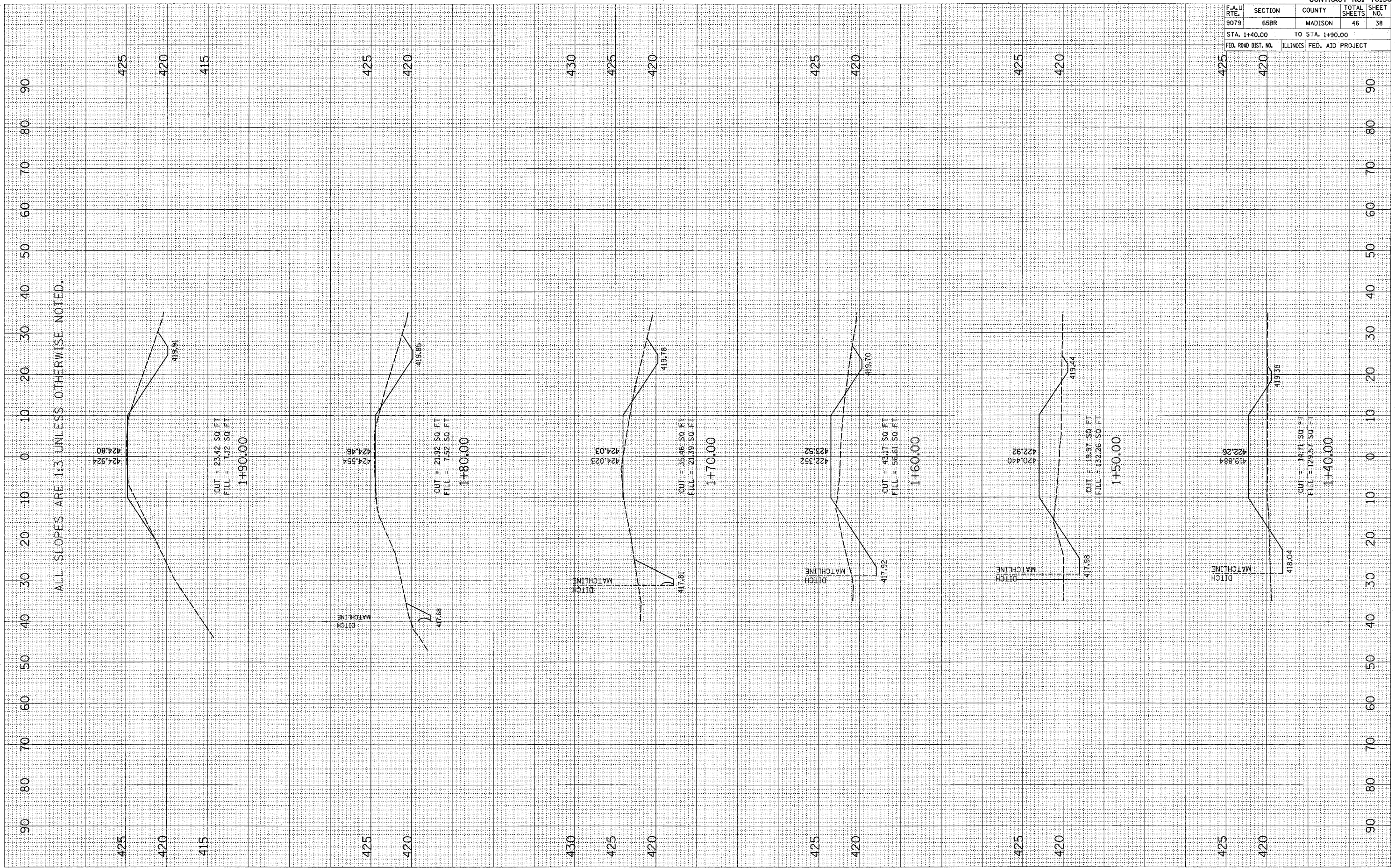
ALL SLOPES ARE 1:3 UNLESS OTHERWISE NOTED.

F.A.U. RTE.	SECTION	COUNTY	TOTAL SHEETS	SHEET NO.
9079	65BR	MADISON	46	38
STA. 1+40.00		TO STA. 1+90.00		
FED. ROAD DIST. NO.	ILLINOIS	FED. AID PROJECT		

FINAL SURVEY	DATE
BY	
NO.	

ORIGINAL SURVEY	DATE
BY	
NO.	

PLOT DATE = DATE
 PLOT NAME = NAME
 PLOT SCALE = SCALE
 USER NAME = USER

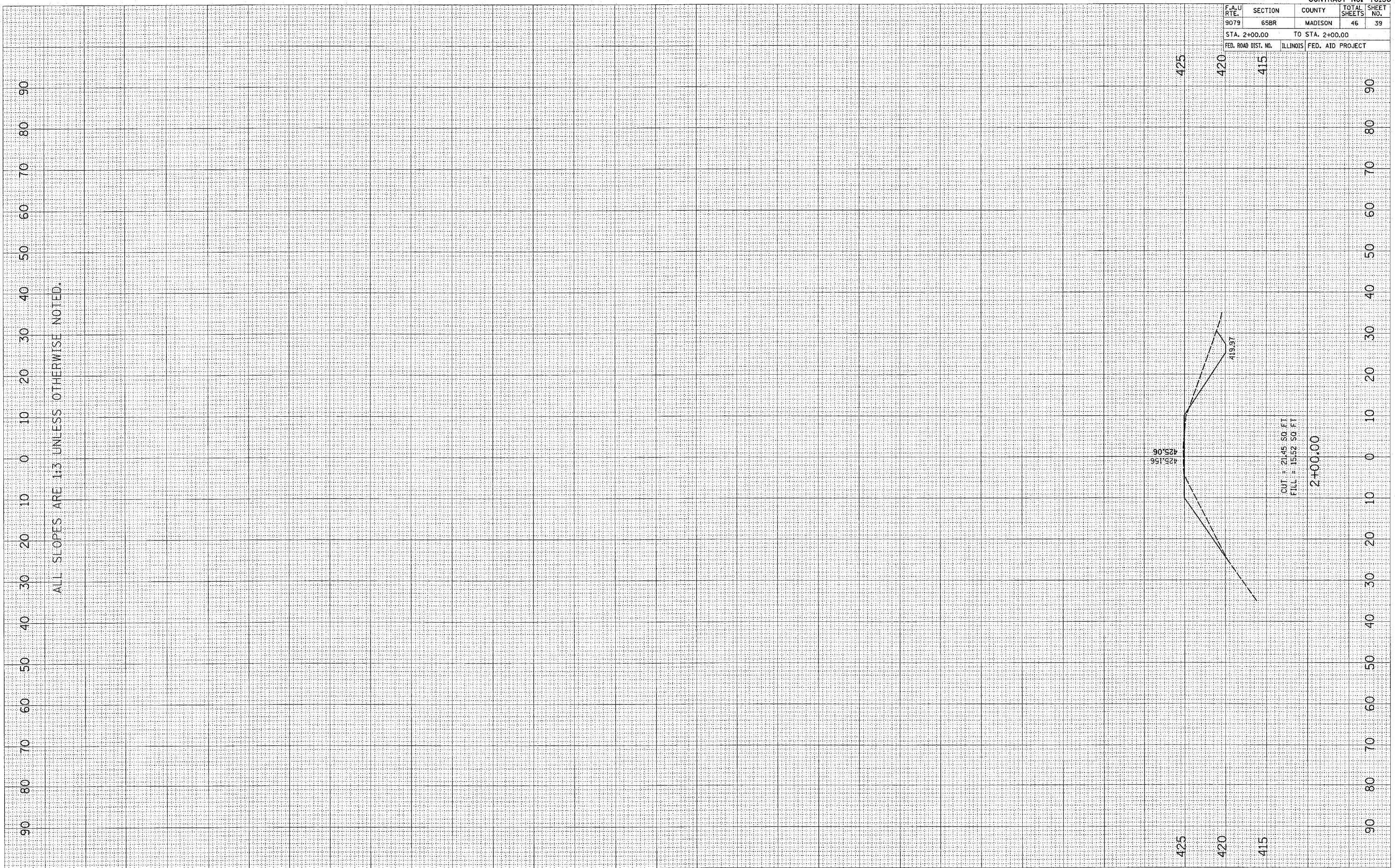


F.A.U. R.T.E.	SECTION	COUNTY	TOTAL SHEETS	SHEET NO.
9079	65BR	MADISON	46	39
STA. 2+00.00		TO STA. 2+00.00		
FED. ROAD DIST. NO.		ILLINOIS	FED. AID PROJECT	

FINAL SURVEY	SURVEYED	BY	DATE
SURVEY	PLOTTED		
NOTE BOOK	REPLATE		
NO.	AREAS CHECKED		

ORIGINAL SURVEY	SURVEYED	BY	DATE
SURVEY	PLOTTED		
NOTE BOOK	REPLATE		
NO.	AREAS CHECKED		

PLOT DATE = DATE
FILE NAME = FILE#
USER NAME = USER#

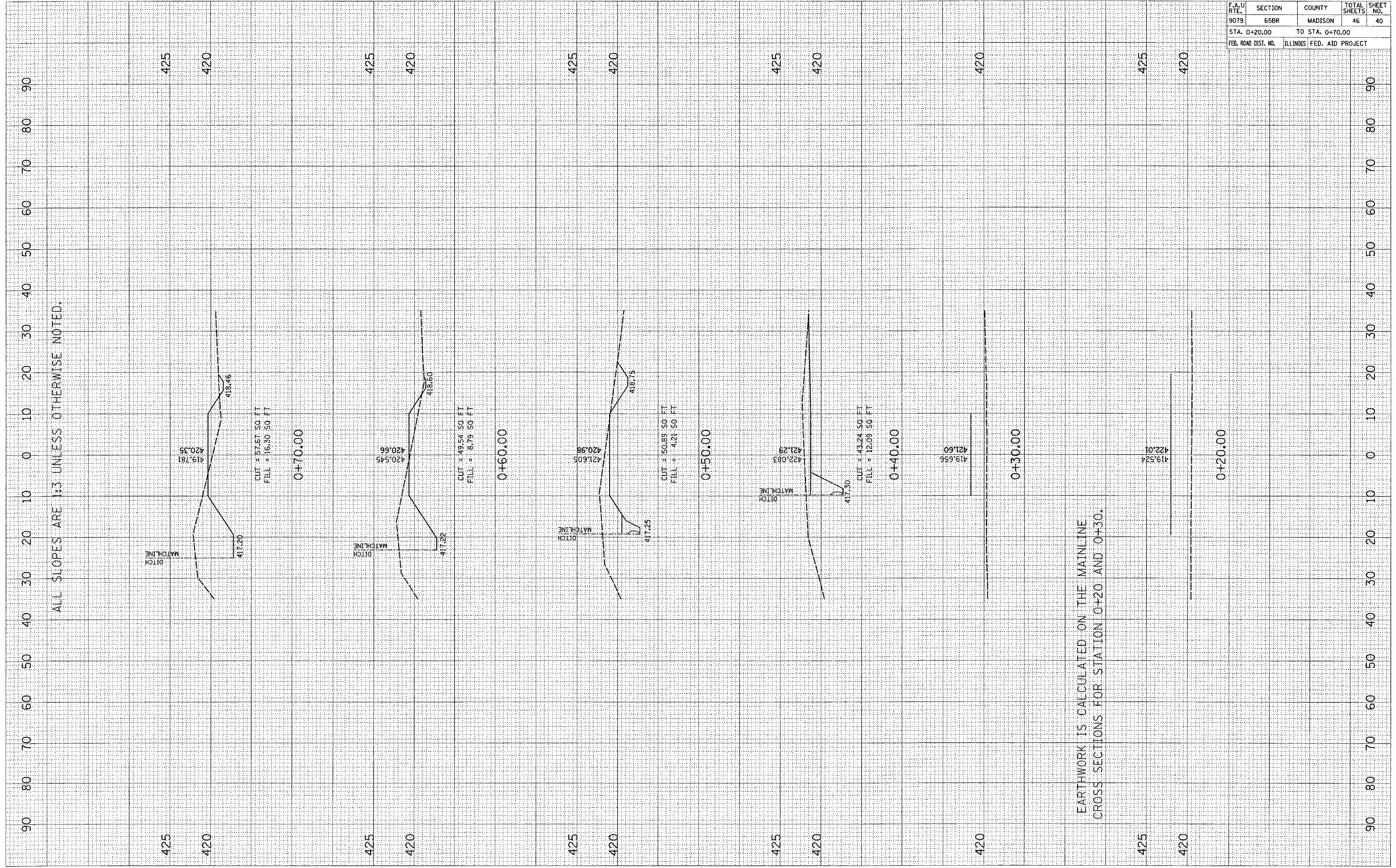


F.A.U. RTE.	SECTION	COUNTY	TOTAL SHEETS	SHEET NO.
9079	65BR	MADISON	46	40
STA. 0+20.00		TO STA. 0+70.00		
FED. ROAD DIST. NO.		ILLINOIS FED. AID PROJECT		

FINAL SURVEY	SURVEYED	BY	DATE
NOTE BOOK	PLOTTED		
NO.	TEMPLATE		
	AREAS		
	CHECKED		

ORIGINAL SURVEY	BY	DATE
NOTE BOOK		
NO.		

PLOT DATE = 10/19/2006
 FILE NAME = c:\pvc\pvc15\ad6699\plan\swa\stn0000.dwg
 USER NAME = dwpj

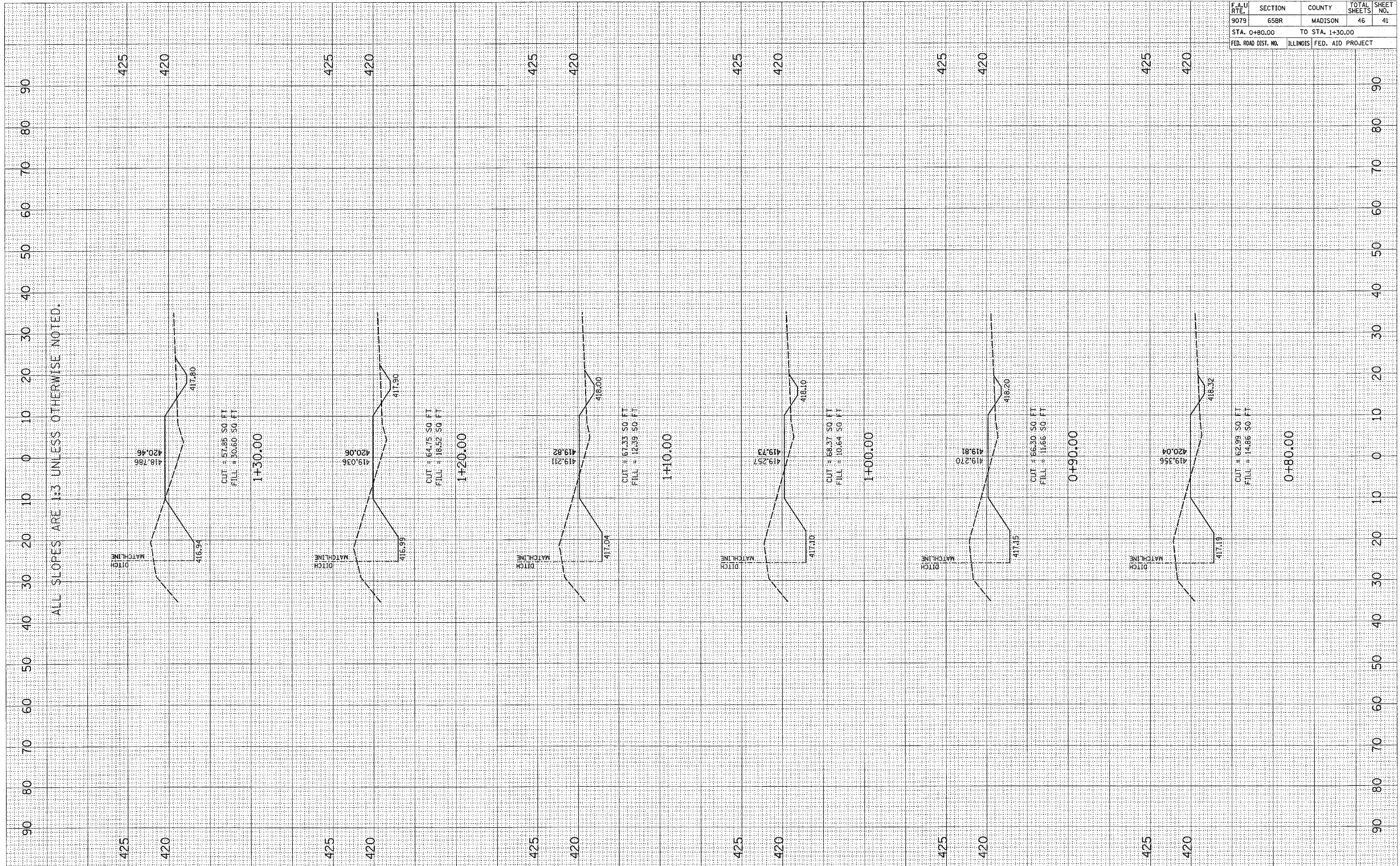


F.A.U. RTE.	SECTION	COUNTY	TOTAL SHEETS	SHEET NO.
9079	65BR	MADISON	46	41
STA. 0+80.00		TO STA. 1+30.00		
FED. ROAD DIST. NO.	ILLINOIS	FED. AID PROJECT		

FINAL SURVEY
 SUPPLIED BY _____
 PLOTTED BY _____
 NOTE BOOK NO. _____
 TEMPLATE NO. _____
 AREAS CHECKED _____

ORIGINAL SURVEY
 SUPPLIED BY _____
 PLOTTED BY _____
 NOTE BOOK NO. _____
 TEMPLATE NO. _____
 AREAS CHECKED _____

PLOT DATE = #DATE#
 FILE NAME = #FILE#
 PLOT SCALE = #SCALE#
 USER NAME = #USER#

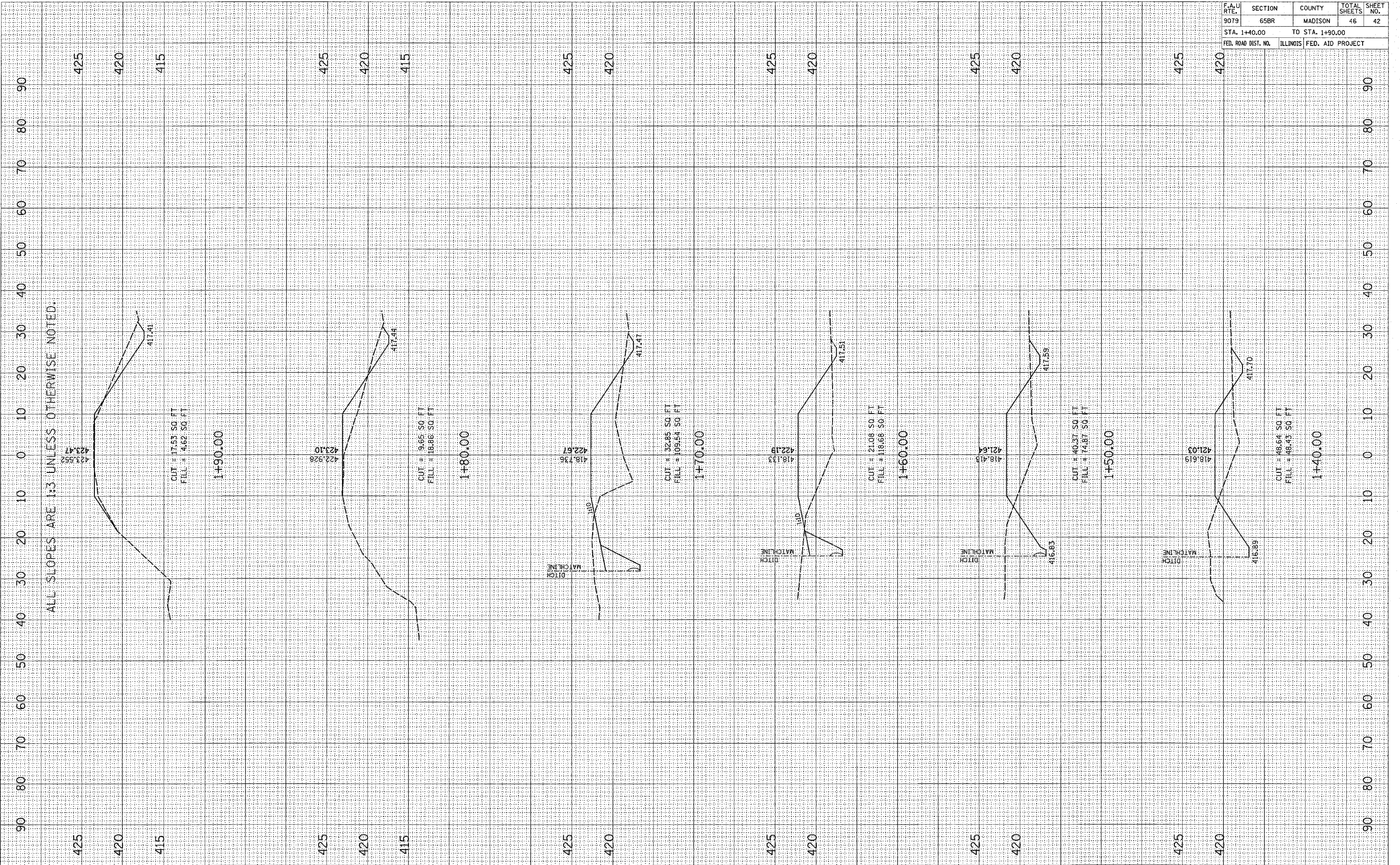


F.A.U. RTE.	SECTION	COUNTY	TOTAL SHEETS	SHEET NO.
9079	658R	MADISON	46	42
STA. 1+40.00		TO STA. 1+90.00		
FED. ROAD DIST. NO.		ILLINOIS	FED. AID PROJECT	

FINAL SURVEY
 SURVEYED _____
 PLOTTED _____
 NOTE BOOK _____
 AREAS CHECKED _____
 NO. _____

ORIGINAL SURVEY
 SURVEYED _____
 PLOTTED _____
 NOTE BOOK _____
 AREAS CHECKED _____
 NO. _____

PLOT DATE = #DATE#
 FILE NAME = #FILE#
 PLOT SCALE = #SCALE#
 USER NAME = #USER#

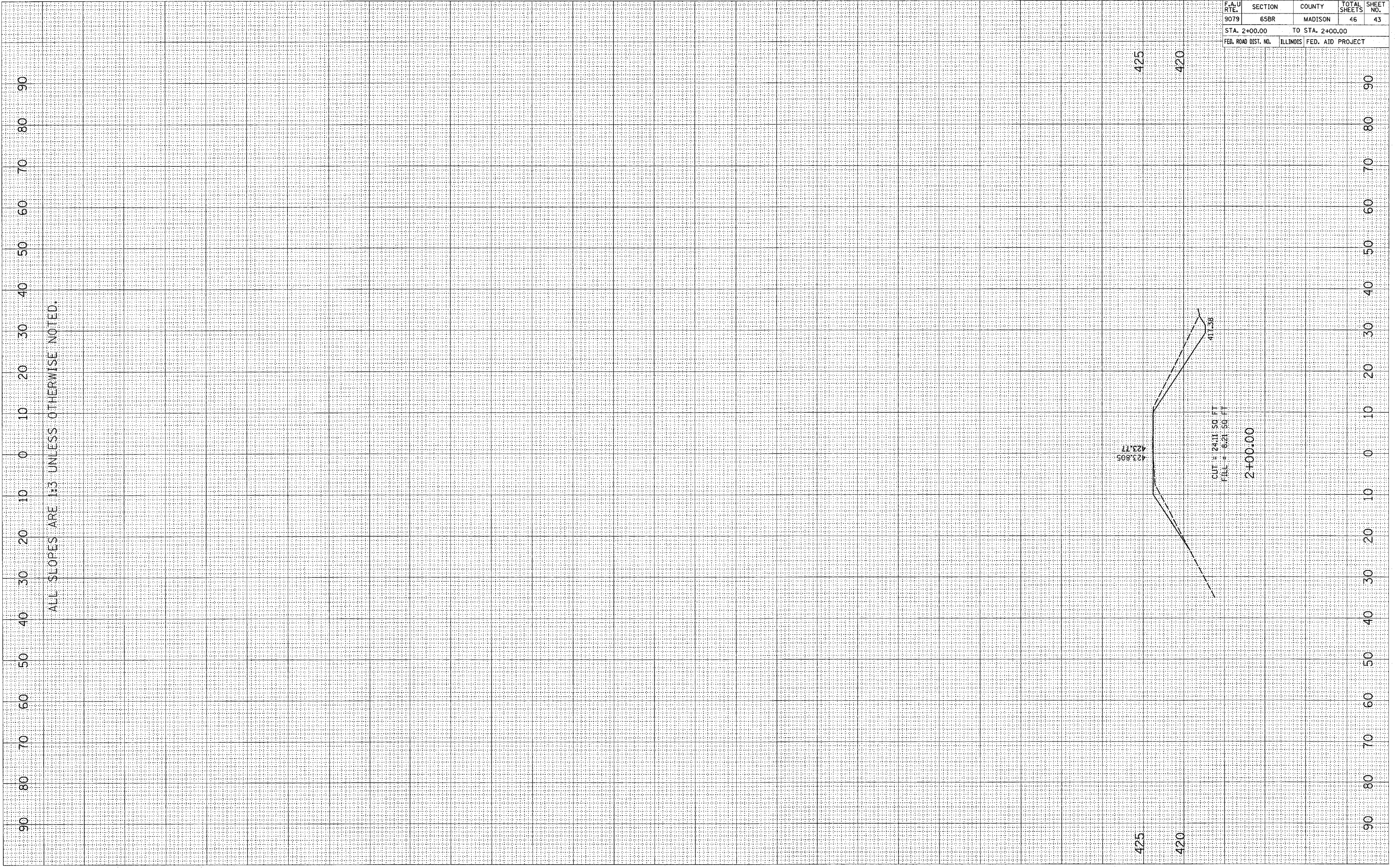


F.A.U. RTE.	SECTION	COUNTY	TOTAL SHEETS	SHEET NO.
9079	65BR	MADISON	46	43
STA. 2+00.00		TO STA. 2+00.00		
FED. ROAD DIST. NO.		ILLINOIS FED. AID PROJECT		

FINAL SURVEY PLOTTED DATE
 NOTE BOOK NO. AREAS CHECKED

ORIGINAL SURVEY PLOTTED DATE
 NOTE BOOK NO. AREAS CHECKED

PLOT DATE = #DATE*
 PLOT SCALE = #SCALE*
 USER NAME = #USER*



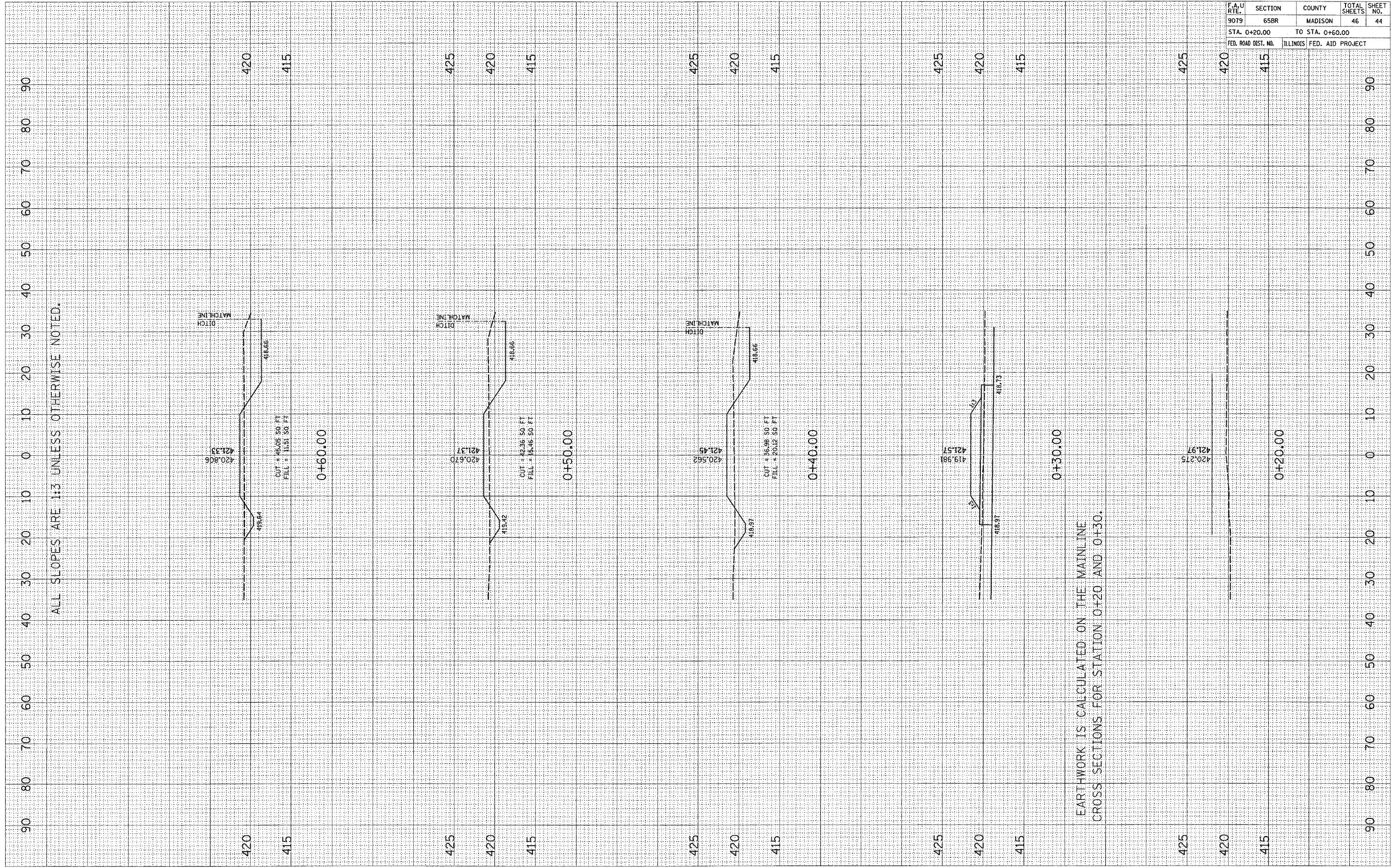
ALL SLOPES ARE 1:3 UNLESS OTHERWISE NOTED.

F.A.U. RTE.	SECTION	COUNTY	TOTAL SHEETS	SHEET NO.
9079	65BR	MADISON	46	44
STA. 0+20.00		TO STA. 0+60.00		
FED. ROAD DIST. NO.		ILLINOIS FED. AID PROJECT		

FINAL SURVEY	DATE
SURVEYED	BY
PLOTTED	
TEMPLATE	
NOTE BOOK	
AREAS CHECKED	

ORIGINAL SURVEY	DATE
REVISED	BY
ADDED	
TEMPLATE	
AREAS CHECKED	

PLOT DATE = 10/19/2006
 FILE NAME = c:\work\65br\65br99\plan\seast\8448.dwg / IN.
 USER NAME = bmsb



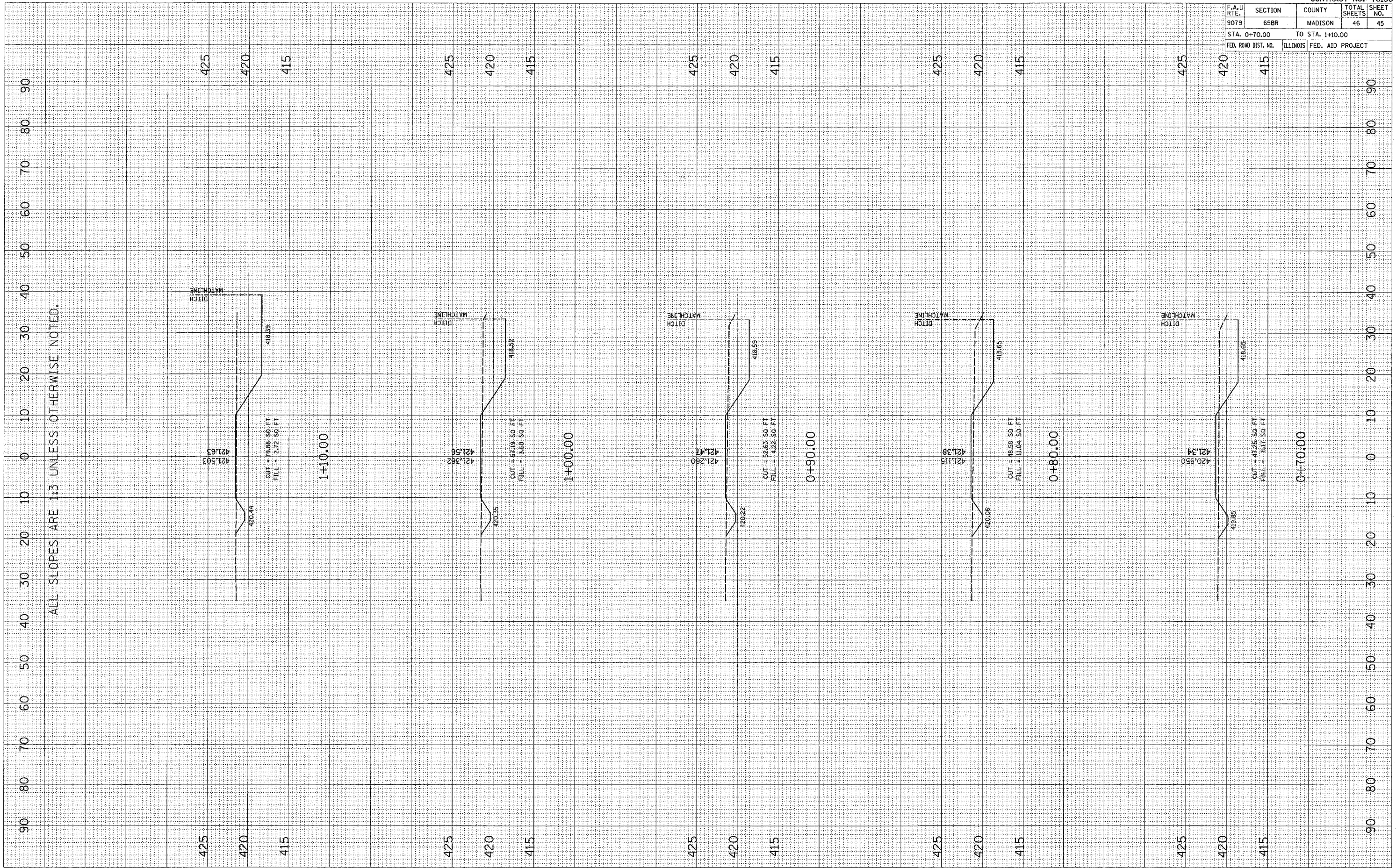
PLOT DATE = DATE
 PLOT SCALE = SCALE
 USER NAME = USER

ORIGINAL SURVEY
 NOTE BOOK NO.
 TITLED
 TEMPLATE
 AREAS CHECKED

FINAL SURVEY
 NOTE BOOK NO.
 SURVEYED
 PLOTTED
 TEMPLATE
 AREAS CHECKED

BY
 DATE

ALL SLOPES ARE 1:3 UNLESS OTHERWISE NOTED.



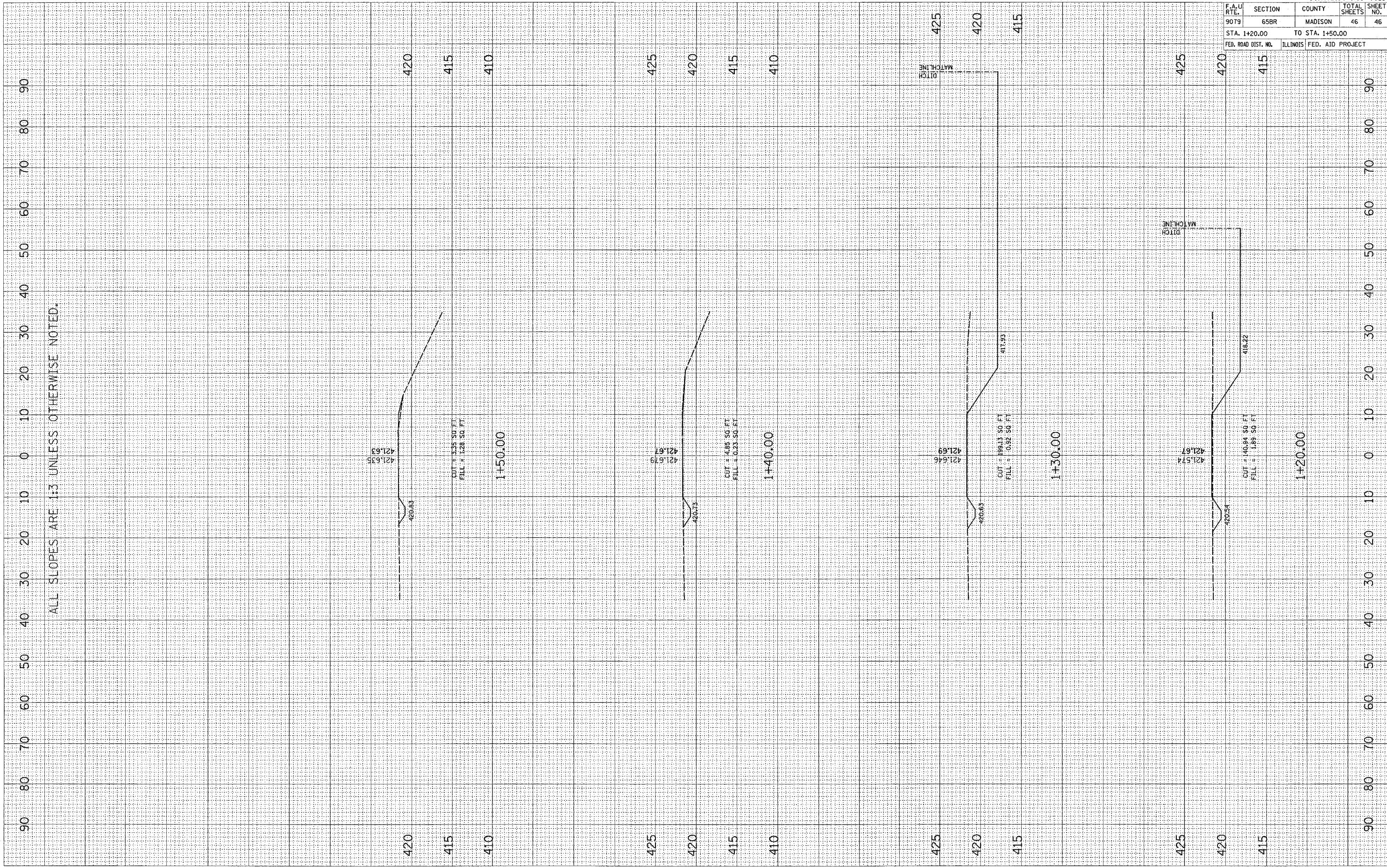
SOUTHEAST ACCESS ROAD

CONTRACT NO. 76136				
F.A.U. RTE.	SECTION	COUNTY	TOTAL SHEETS	SHEET NO.
9079	65BR	MADISON	46	45
STA. 0+70.00			TO STA. 1+10.00	
FED. ROAD DIST. NO.		ILLINOIS	FED. AID PROJECT	

PLOT DATE = #DATE#
 PLOT SCALE = #SCALE#
 PLOT NAME = #NAME#
 USER NAME = #USER#

ORIGINAL SURVEY NO. _____
 SURVEY DATE _____
 NOTE BOOK NO. _____
 TEMPLATES _____
 AREAS CHECKED _____

FINAL SURVEY NO. _____
 SURVEY DATE _____
 NOTE BOOK NO. _____
 TEMPLATES _____
 AREAS CHECKED _____



SOUTHEAST ACCESS ROAD

CONTRACT NO. 76136				
F.A.U. RTE.	SECTION	COUNTY	TOTAL SHEETS	SHEET NO.
9079	65BR	MADISON	46	46
STA. 1+20.00		TO STA. 1+50.00		
FED. ROAD DIST. NO.		ILLINOIS FED. AID PROJECT		