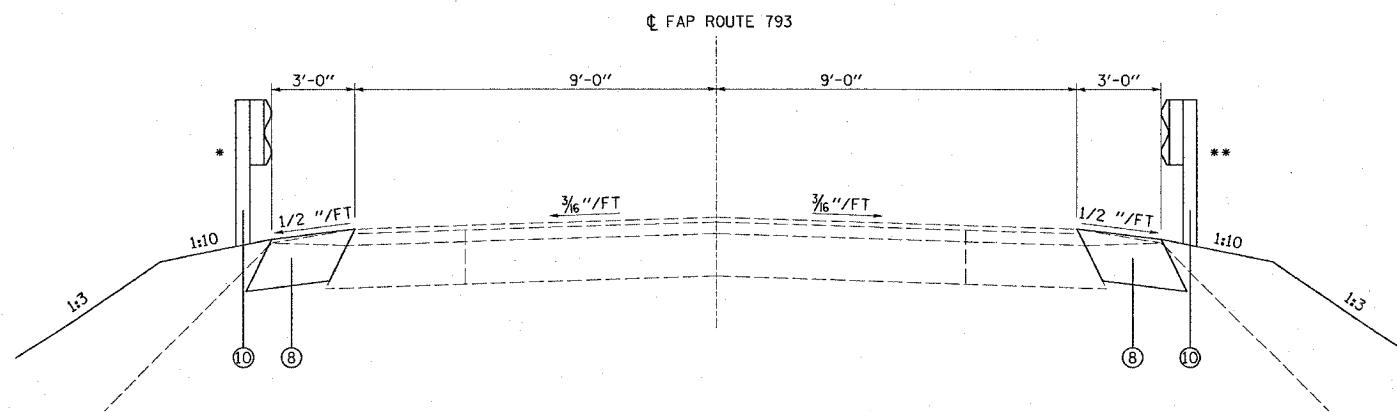
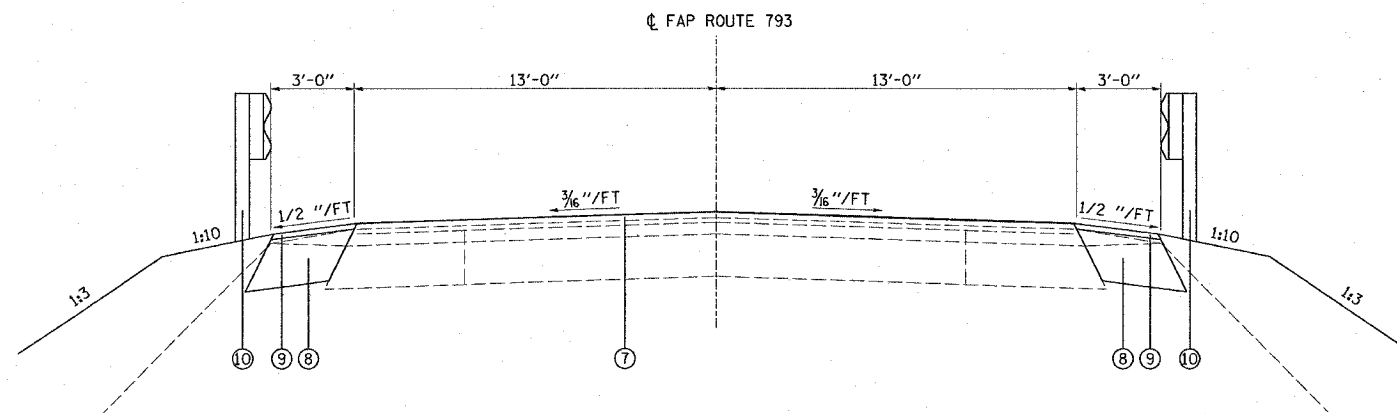
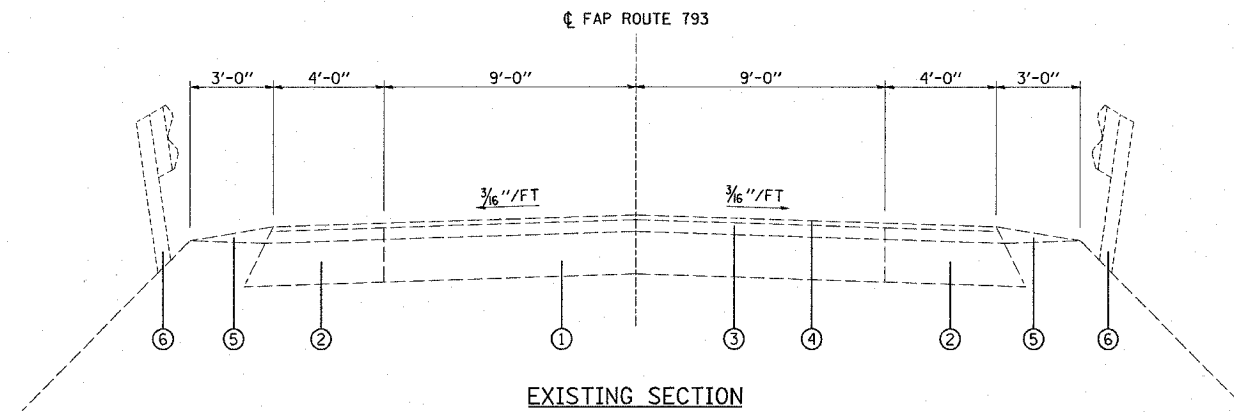


F.A.P. RTE.	SECTION	COUNTY	TOTAL SHEETS	SHEET NO.
793	112BR-2	BOND	52	5
STA.		TO STA.		
FED. ROAD DIST. NO.		ILLINOIS FED. AID PROJECT		



LEGEND

- ① EXISTING PAVEMENT
- ② EXISTING BASE COURSE WIDENING - 9"
- ③ EXISTING BINDER COURSE - 2 1/2"
- ④ EXISTING SURFACE COURSE - 1"
- ⑤ EXISTING AGGREGATE WEDGE
- ⑥ EXISTING GUARDRAIL
- ⑦ PROPOSED HOT-MIX ASPHALT SURFACE COURSE - VARIABLE DEPTH
- ⑧ PROPOSED HOT-MIX ASPHALT BASE COURSE WIDENING - 10 1/4"
- ⑨ PROPOSED HOT-MIX ASPHALT SHOULDERS - VARIABLE DEPTH
- ⑩ PROPOSED GUARDRAIL

MIXTURE CHART

MIXTURE USE	SURFACE	BASE COURSE	SHOULDERS
AC/PG	PG 64-22	PG 64-22	PG 58-22
RAP % (MAX)	10%	15%	30%
DESIGN AIR VOIDS	4.0% @ Ndes=70	4.0% @ Ndes=70	2.0% @ Ndes=30
MIX COMPOSITION			
(GRADATION MIXTURE)			
FRICITION AGG	MIXTURE "D"	MIXTURE "B"	BAM

PLAN QUANTITIES FOR HOT-MIX ASPHALT SURFACE COURSE ITEMS ARE CALCULATED USING A UNIT WEIGHT OF 112 LB/SQ YD/IN.

REVISIONS	
NAME	DATE

ILLINOIS DEPARTMENT OF TRANSPORTATION  
**TYPICAL SECTIONS**  
 FAP ROUTE 793  
 SECTION 112BR-2  
 BOND COUNTY  
 SN 003-0035

PLOT DATE = #DATE#  
 FILE NAME = #FILE#  
 PLOT SCALE = #SCALE#  
 REFERENCE = #REF#